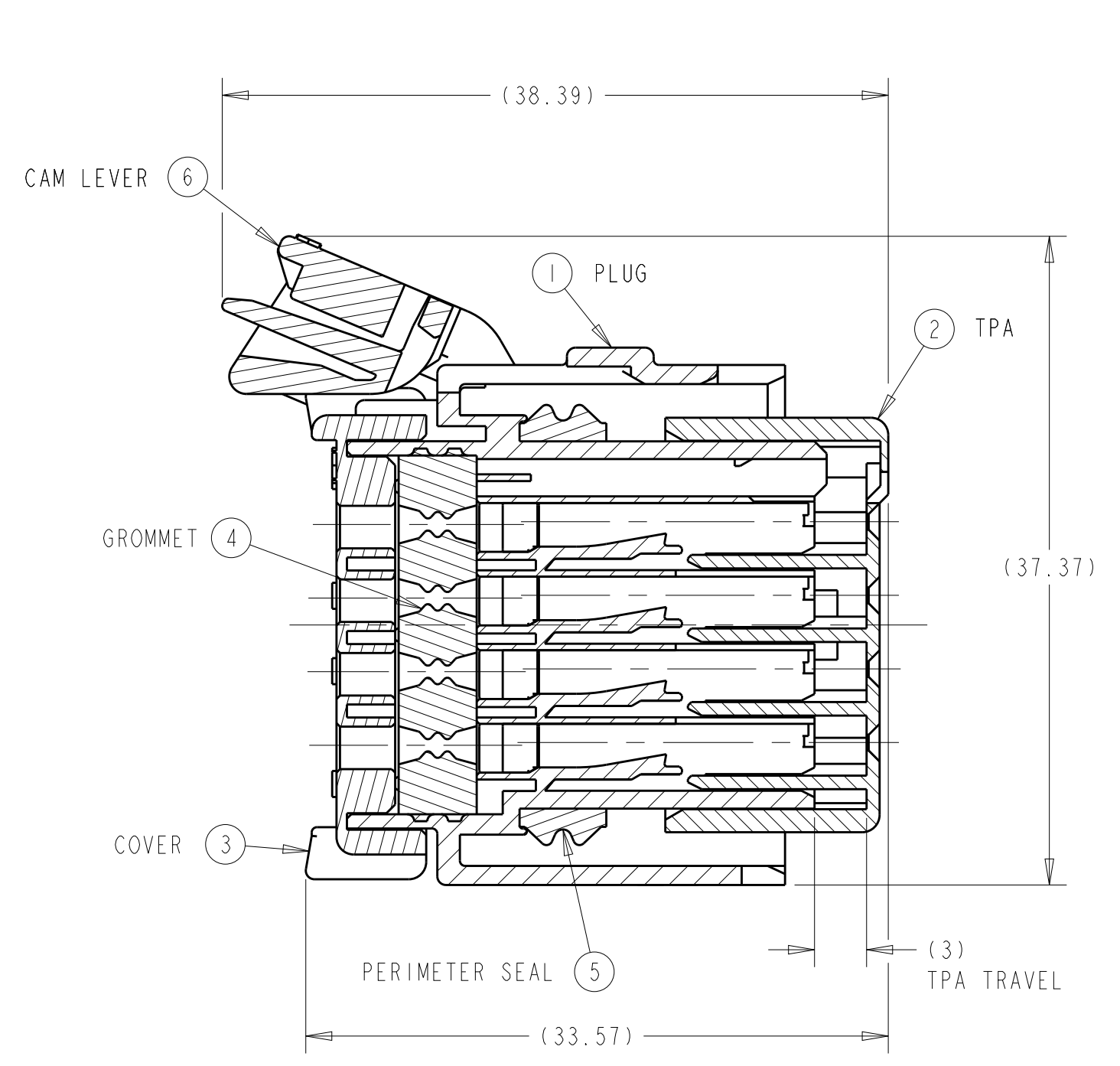
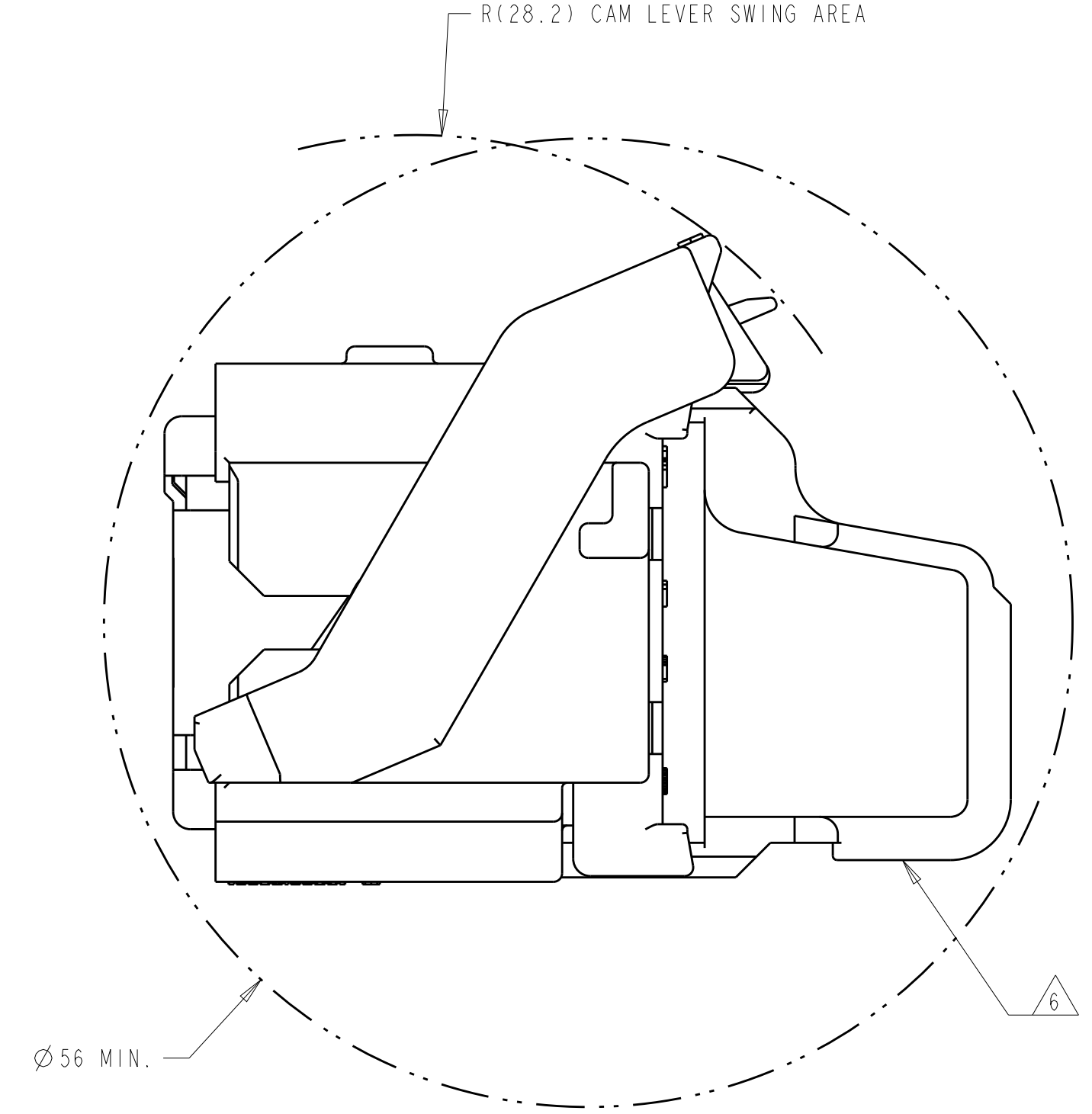
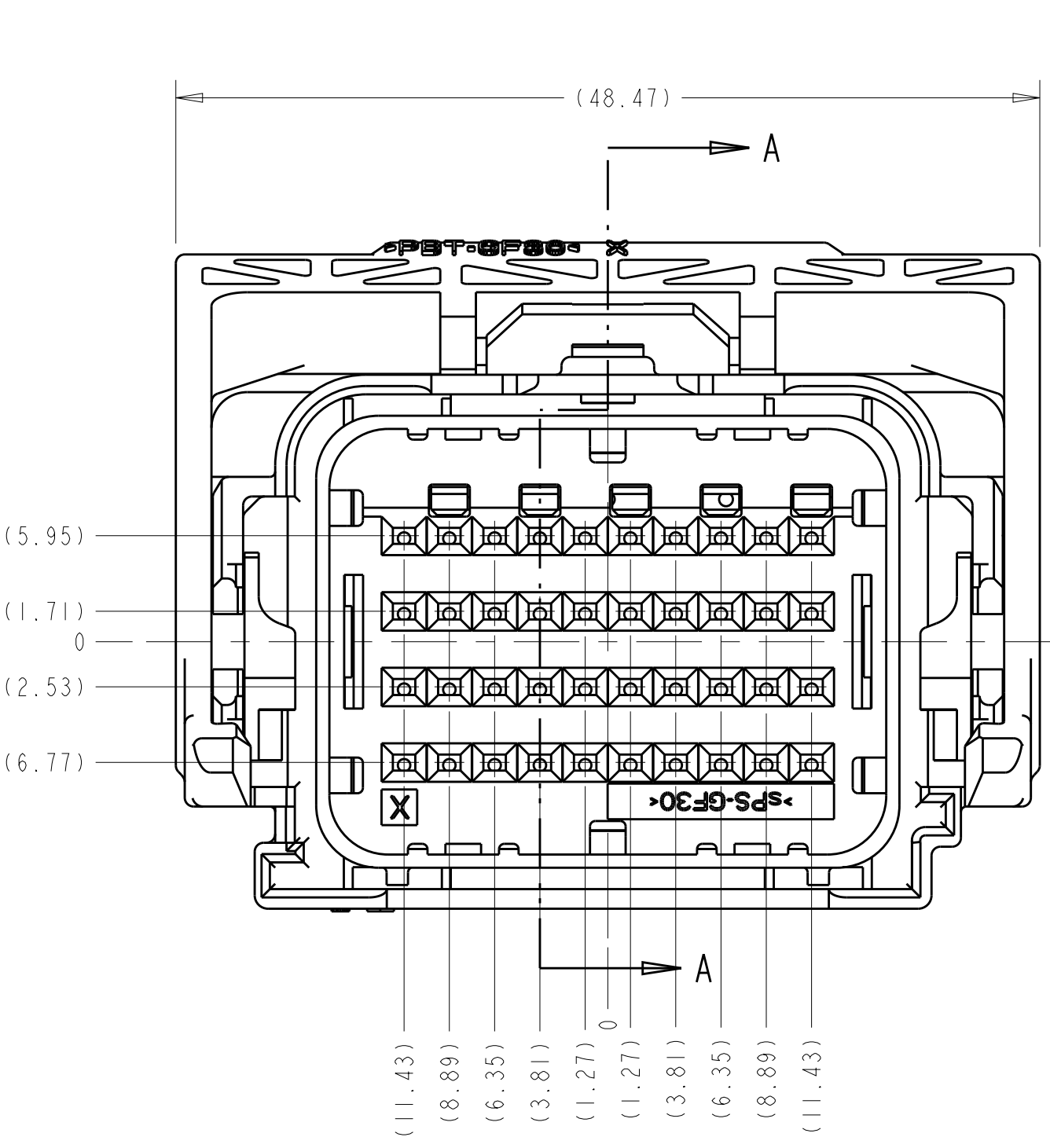


REVISIONS					
P.	LTN	DESCRIPTION	DATE	OWN	APVD
CH		REVISED PER ECO-18-002641	22FEB2018	JMS	WW
CJ		REVISED PER ECO-18-013531	30AUG2018	JMS	WW
CK		REV PER ECO-19-007173	17MAY2019	RGV	WW
CKI		REVISED PER ECO-20-012739	05OCT2020	AP	WW

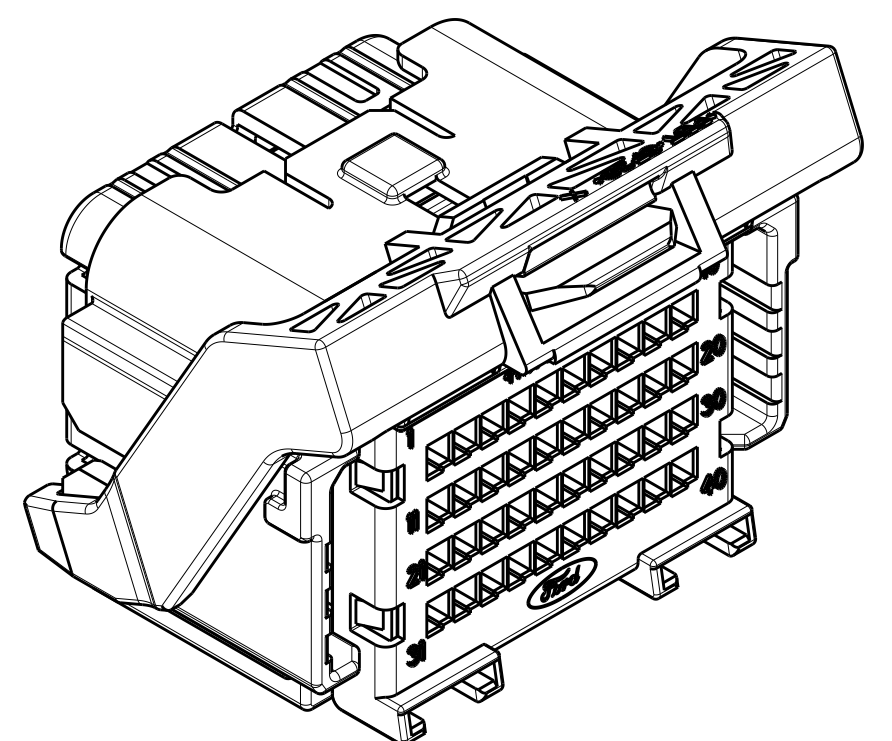
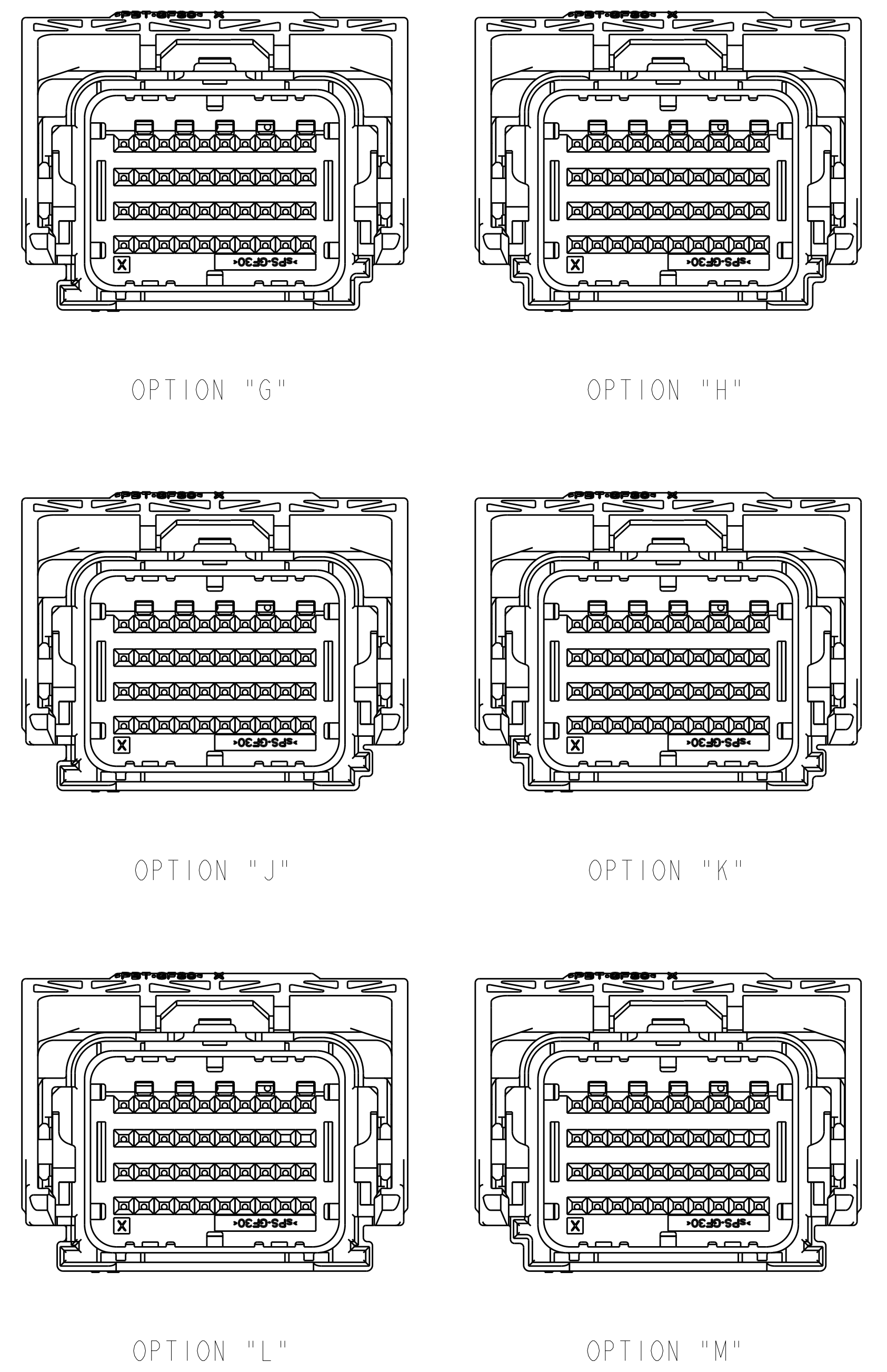


SECTION A-A
 SHOWN WITH CAM LEVER
 AND TPA IN THEIR
 PRE-LOADED POSITIONS
 (DELIVERY CONDITION)

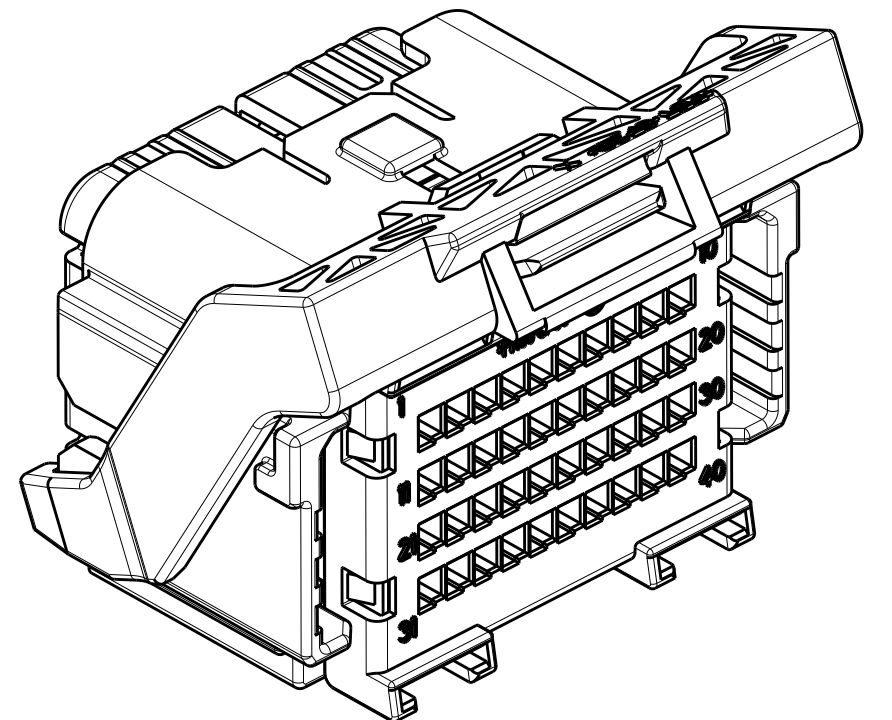


MINIMUM FEED THROUGH CONDITION
 WITH 1mm CLEARANCE ALL AROUND
 SHOWN WITH OPTION WIRESHIELD
 TPA IS IN IT'S LOADED POSITION
 CAM LEVER IS IN IT'S PRE-LOADED POSITION

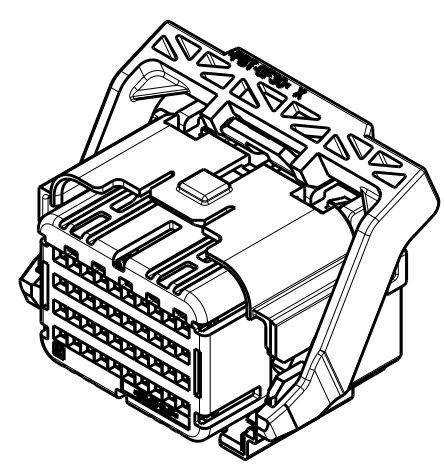
KEYING OPTIONS
 SCALE 2:1



SCALE 2:1

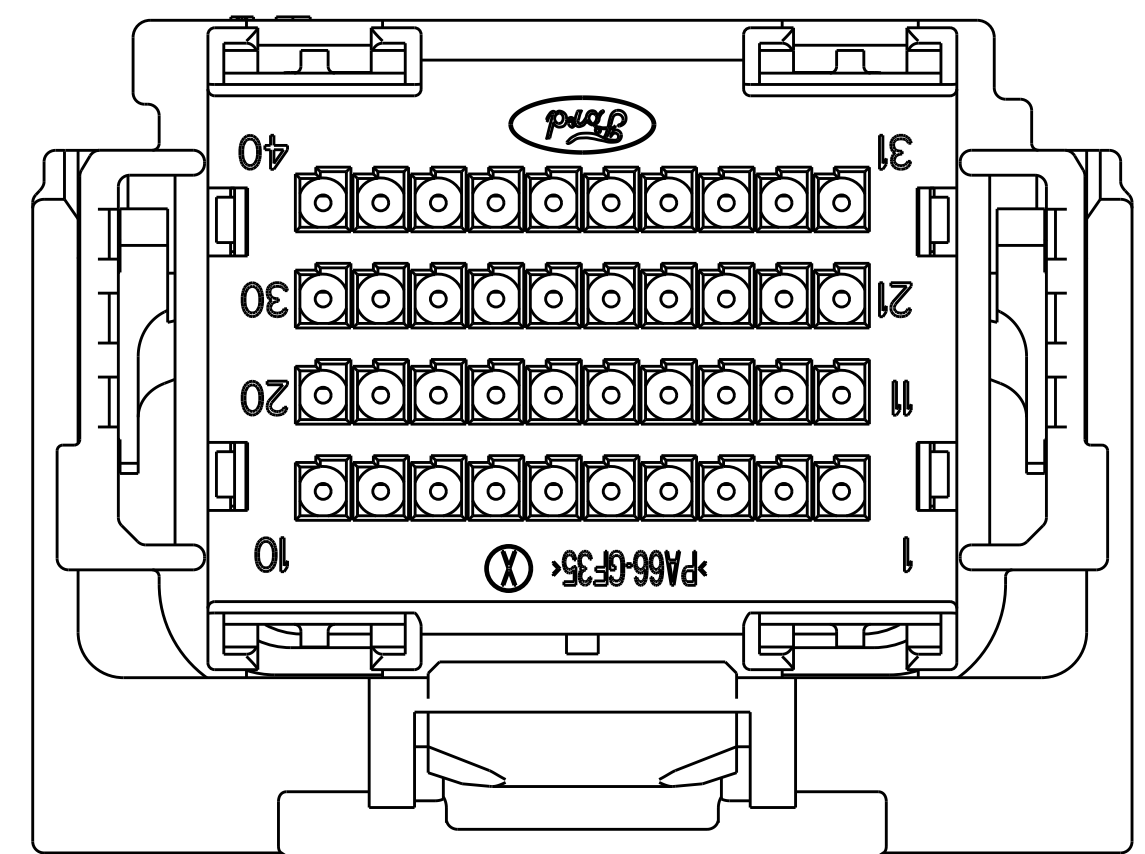
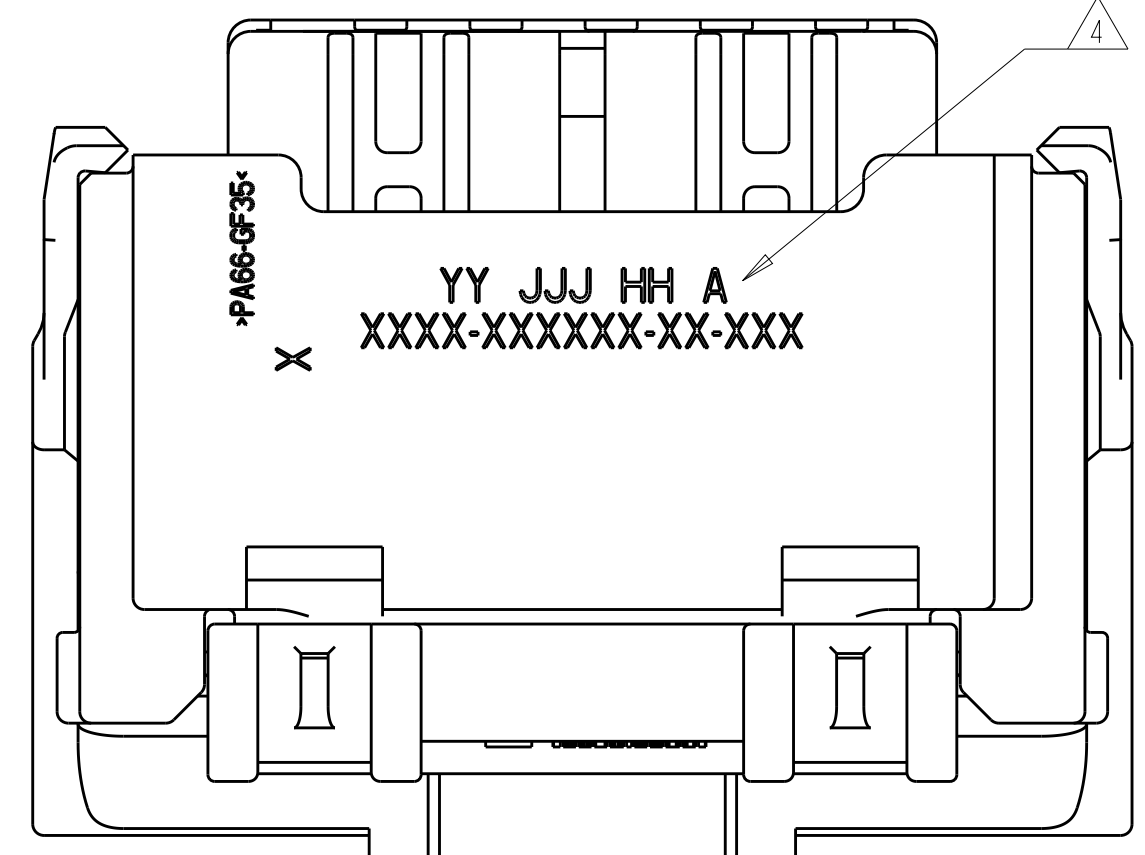
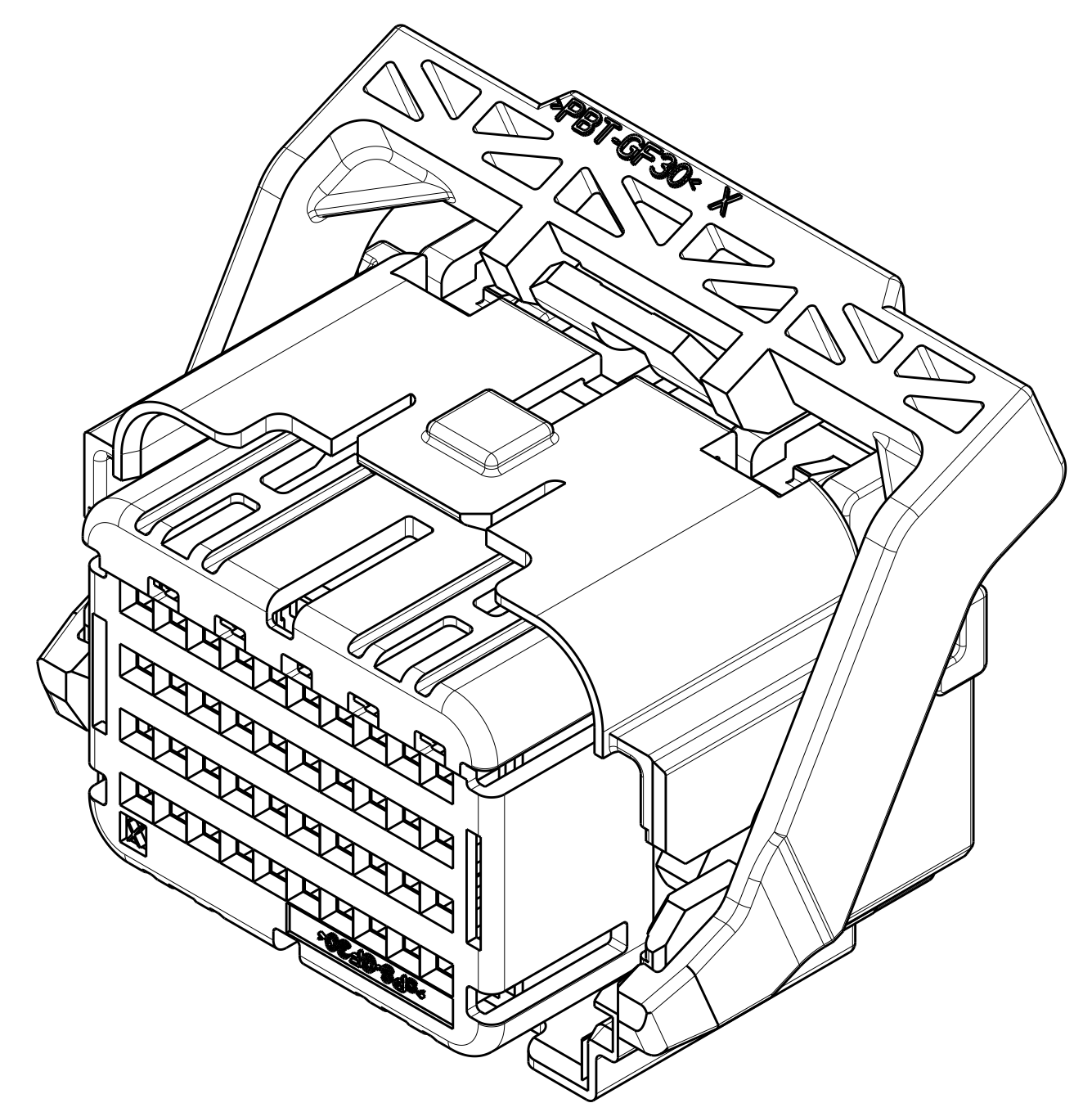


THIS VIEW SHOWS THE
 OPTIONAL CAM LEVER



SCALE 1:1

KEYING OPTION "G" SHOWN
 SEE SHEET 2 FOR BILL OF
 MATERIAL AND PIN-OUT CHARTS



- APPLICABLE TERMINAL PART NUMBERS (SOLD SEPARATELY):
 FOR TIN APPLICATIONS: 1393367 AND 1393366,
 FOR GOLD APPLICATIONS: 1393365 AND 1393364,
 FOR TERMINATION AND REELING OPTIONS
 SEE DRAWINGS 1393367, 1393366, 1393365, AND 1393364.
- COMPATIBLE WIRE SIZES FOR MAT SEAL DESIGN 1.19 TO 2.06 O.D.
 (22-18 AWG, 0.35-0.75 mm)
- TPA AND CAM LEVER ARE SHIPPED IN THEIR PRE-LOADED POSITION.
 ALL ASSEMBLIES ARE TO BE TRAY PACKAGED.
- CUSTOMER PART NUMBER AND TRACEABILITY CODE (YY = TWO DIGIT YEAR,
 JJJ = JULIAN DAY, HH = TWO DIGIT MILITARY HOUR, A = ASSEMBLY PROCESS
 USED) ARE PRINTED IN THIS LOCATION.
- PART ASSEMBLY WEIGHT WITHOUT TERMINALS AND WITH STANDARD PIN-OUT
 CONFIGURATION IS 24.71 GRAMS.
- OPTIONAL WIRESHIELD P/N 8-1419157-8 (SOLD SEPARATELY). PLEASE CONTACT
 YOUR TE SALES REPRESENTATIVE FOR AVAILABILITY AND PRICING.
- OBSOLETE PART.

THIS DRAWING IS A CONTROLLED DOCUMENT.		OWN: M. FORLSKA 19APR2002	
DIMENSIONS: mm		CHK: M. FORLSKA 19APR2002	
TOLERANCES UNLESS OTHERWISE SPECIFIED:		APVD: A. VALASEK 19APR2002	NAME: 40 WAY ARM, PLUG ASSEMBLY WITHOUT SHORTING BARS, CUSTOMER SPEC.
0 PLC ± 1 PLC ±0.3 2 PLC ±0.10 3 PLC ± 4 PLC ± ANGLES ±°		PRODUCT SPEC	
MATERIAL: SEE CHART ON SHEET 2		APPLICATION SPEC	SIZE: CAGE CODE DRAWING NO. RESTRICTED TO
FINISH: -		WEIGHT: SEE NOTE 5	A1 00779 C=8-1419157-7
		CUSTOMER DRAWING	SCALE: 3:1 SHEET 1 OF 5

PIN-OUT CHART table with columns for pin numbers (1-40) and descriptions (KEY "J", KEY "H", KEY "L", KEY "K", KEY "G"). Includes notes on terminal hole positions and assembly part numbers.

PIN-OUT CHART table for part 2098034-1, showing pin numbers (1-40) and descriptions (KEY "H", KEY "L", KEY "J"). Includes notes on terminal hole positions and assembly part numbers.

TERMINAL HOLE POSITION. CAVITIES WITH A NUMERIC SYMBOL INDICATE CLOSED TERMINAL HOLE POSITIONS. BLANK CAVITIES INDICATE OPEN TERMINAL HOLE POSITIONS.

Technical drawing footer containing dimensions, tolerances, material, weight, and customer drawing information. Includes the TE Connectivity logo and product name: 40 WAY ARM, PLUG ASSEMBLY WITHOUT SHORTING BARS, CUSTOMER SPEC.

单击下面可查看定价，库存，交付和生命周期等信息

[>>TE Connectivity\(泰科\)](#)