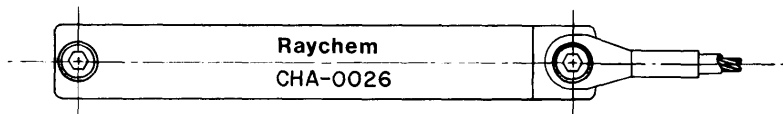
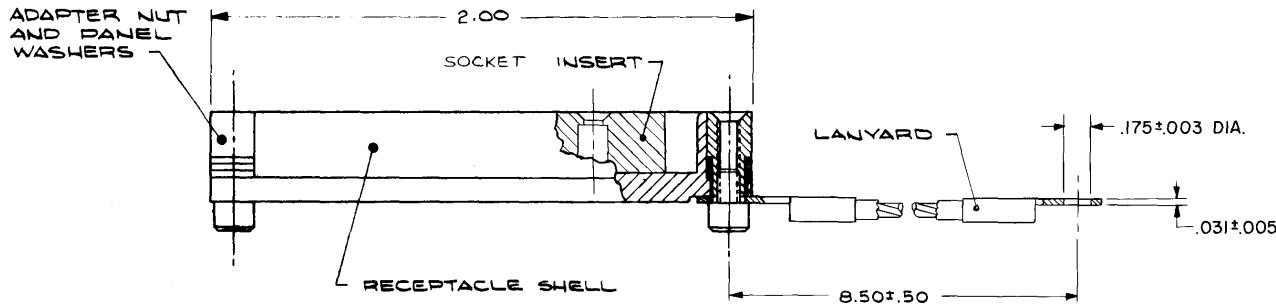
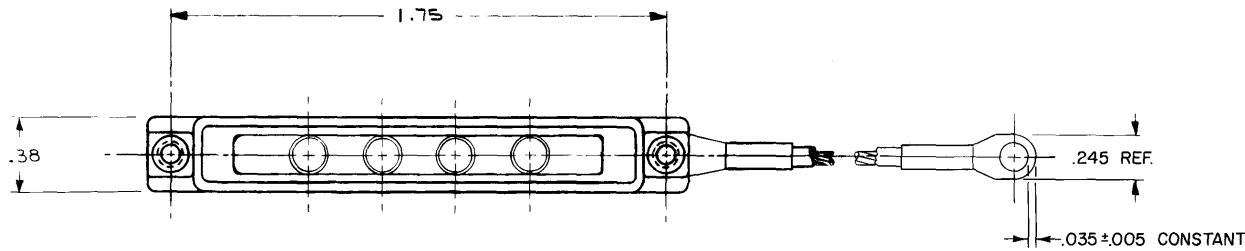


REVISIONS			
LTR	DESCRIPTION	DATE	APPROVED
A	CHG'D PER DCO #T- 3343	W.J. 1/11/80	JB



**NOTES:**

**1. SEALING:**

PROTECTIVE CAP DESIGNED TO ENVIRONMENTALLY SEAL THE MATING PLUG CONNECTOR 1" MTC COAX SERIES WITH PIN CONTACTS.

**2. MATERIALS AND FINISHES:**

RECEPTACLE SHELL: ALUMINUM ALLOY PER QQ-A-591 OR QQ-A-225, NICKEL PLATED PER MIL-C-26074.

SOCKET INSERT: HARD PLASTIC PER MIL-M-14, TYPE MFH.

LANYARD: STAINLESS STEEL PER QQ-S-766, PASSIVATED.

ADAPTER NUT AND PANEL WASHERS: STAINLESS STEEL PER QQ-S-766, PASSIVATED.

**SPECIFICATION CONTROL DRAWING**

UNLESS OTHERWISE SPECIFIED DIMENSIONS ARE IN INCHES AND TOLERANCES ARE XXX ± .010 XX ± .015 — ± .015	DRAWN	W.V.J.	8-14-80	RAYCHEM <small>RAYCHEM CORPORATION 300 CONSTITUTION DRIVE MENLO PARK, CALIFORNIA 94025</small>			
	CHECKED	3					
	APPROVED	3/31/80	10/2/80	TITLE <b>PROTECTIVE CAP, RECEPTACLE WITH SOCKET INSERT</b> 1-INCH MTC COAX SERIES			
	APPROVED	12/4/80					
MATERIAL				SIZE	CODE IDENT	DWG NO	
FINISH				C	NO 06090	CHA-0026	
	PART NUMBER			SCALE	—	WEIGHT	—
	PROJECT			SHEET	—	OF	1

**If this document is printed it becomes uncontrolled.  
Check with the web for latest revision.**

单击下面可查看定价，库存，交付和生命周期等信息

[>>TE Connectivity\(泰科\)](#)