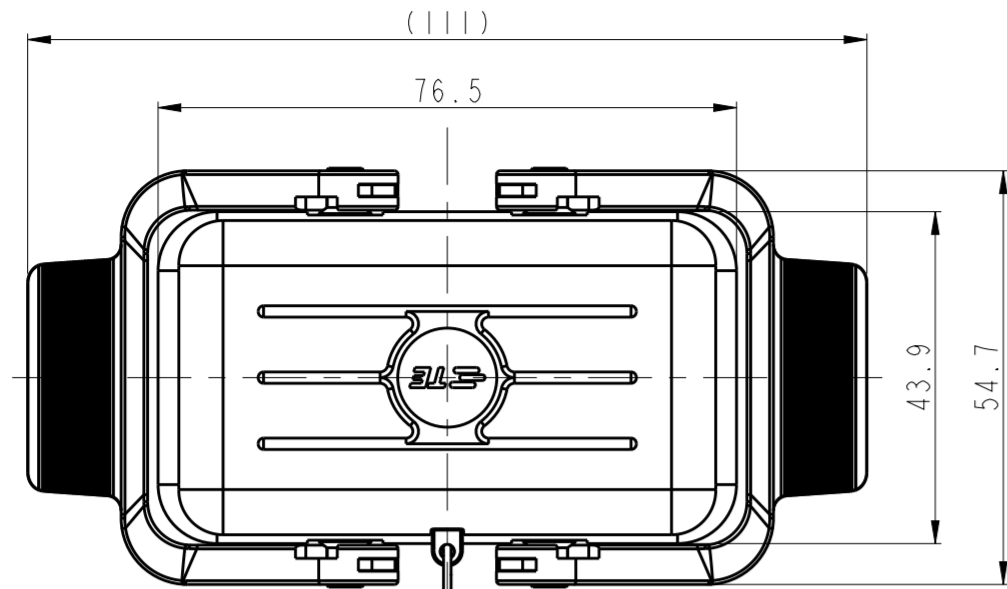
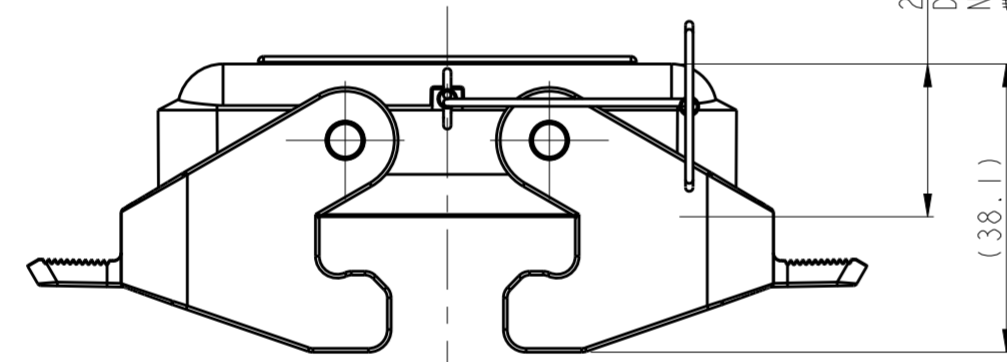


THIS DRAWING IS UNPUBLISHED. RELEASED FOR PUBLICATION
 © COPYRIGHT copyright.d8te- ALL RIGHTS RESERVED.

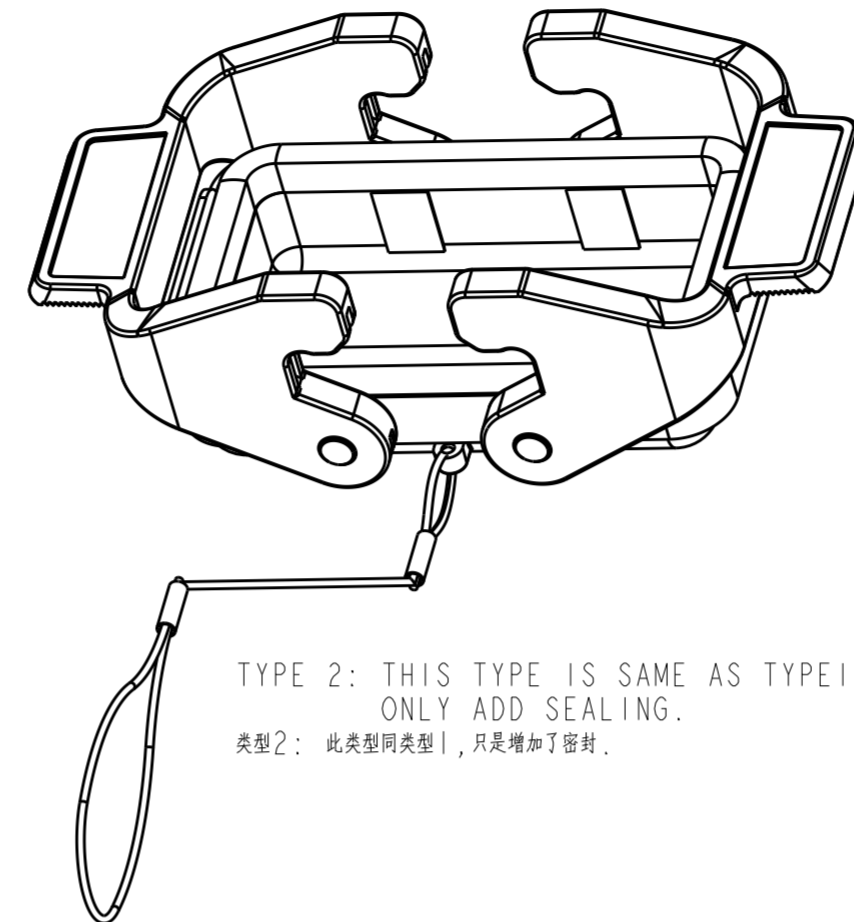
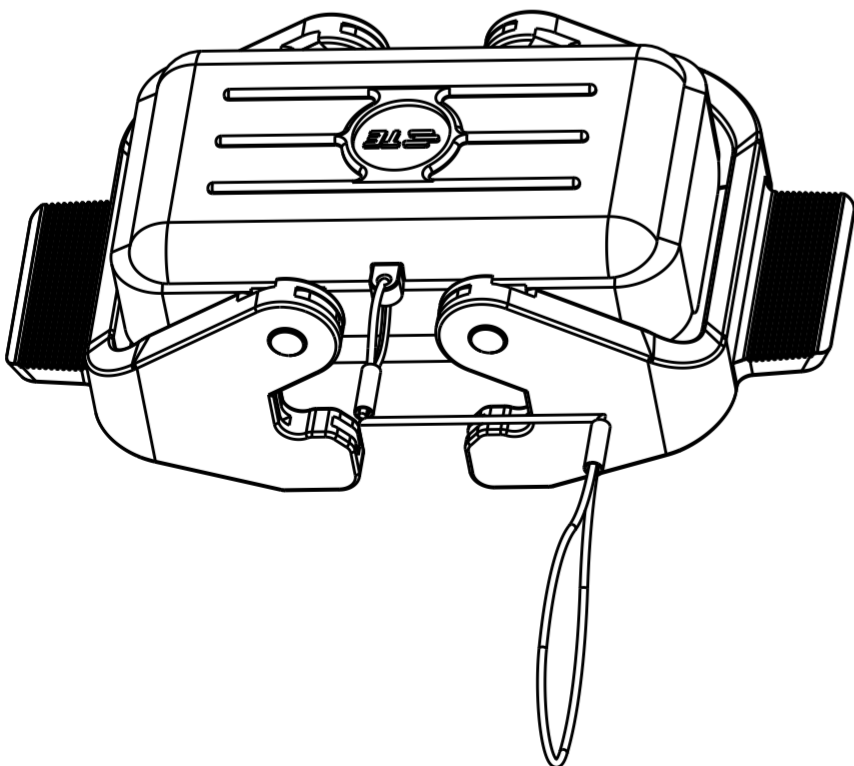
REVISIONS					
P	LTR	DESCRIPTION	DATE	DWN	APVD
	A	INITIAL	18JAN2017	CH	CW
	AI	ECR-17-007543	27MAY2017	CH	CW



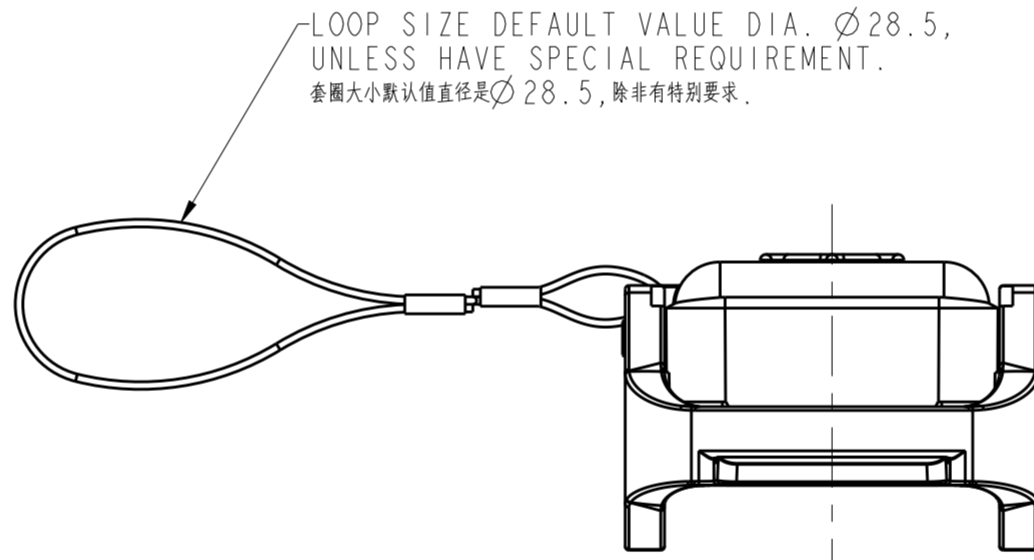
TRANSPARENT NYLON ROPE:
 TOTAL LENGTH 380mm,
 DIA. \varnothing 1.0mm
 透明尼龙绳: 总长380mm, 直径 \varnothing 1.0mm



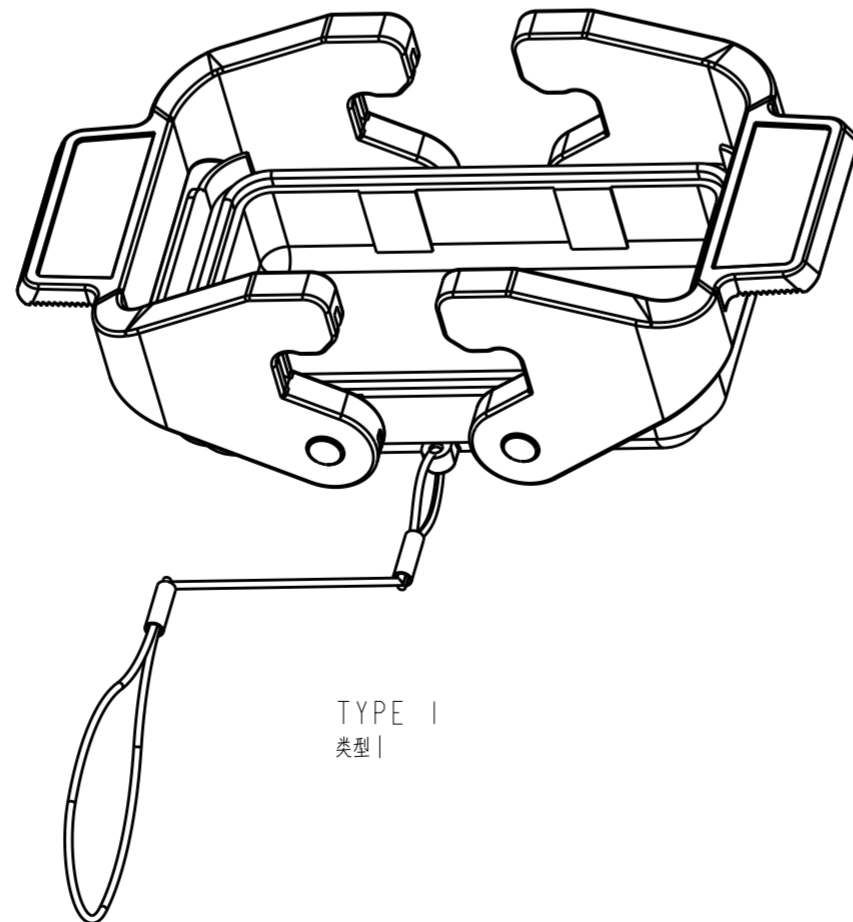
20.2 DIM. WITH SEALING,
 NO DIM. WITHOUT SEALING.
 带密封有此尺寸, 不带密封无此尺寸



TYPE 2: THIS TYPE IS SAME AS TYPE1,
 ONLY ADD SEALING.
 类型2: 此类型同类型1, 只是增加了密封。



LOOP SIZE DEFAULT VALUE DIA. \varnothing 28.5,
 UNLESS HAVE SPECIAL REQUIREMENT.
 套圈大小默认值直径是 \varnothing 28.5, 除非有特别要求。



TYPE 1
 类型1

NOTES:
 1. TECHNICAL CHARACTERISTICS:
 COVER MATERIAL: PC, GREY
 PLASTIC DOUBLE LOCKING MATERIAL: PC, GREY
 SEALING MATERIAL: NBR, BLACK

注释:
 1. 技术参数:
 保护盖材质: PC, 灰色
 塑料双扣材质: PC, 灰色
 密封材质: NBR, 黑色

T1010101200-000	H10B-KDTP	H10B HOOD PLASTIC PROTECTION COVER, PLASTIC DOUBLE LOCKING, SEALING, NYLON ROPE, GREY H10B上壳塑料保护盖, 塑料双扣, 带密封, 尼龙绳, 灰色	TYPE 2 类型2
T1010101100-000	H10B-KDTP-NR	H10B HOOD PLASTIC PROTECTION COVER, PLASTIC DOUBLE LOCKING, WITHOUT SEALING, NYLON ROPE, GREY H10B上壳塑料保护盖, 塑料双扣, 不带密封, 尼龙绳, 灰色	TYPE 1 类型1
PART NUMBER 料号	PART DESCRIPTION 描述		TYPE 类型

THIS DRAWING IS A CONTROLLED DOCUMENT.		DWN CHARLIE.HU 18JAN2017	TE Connectivity		
DIMENSIONS: mm		CHK KYLE.ZENG 18JAN2017			NAME H10B-KDTP / H10B-KDTP-NR
TOLERANCES UNLESS OTHERWISE SPECIFIED: 0 PLC \pm 1 PLC \pm 2 PLC \pm 3 PLC \pm 4 PLC \pm ANGLES \pm FINISH		APVD CHRIS.WANG 18JAN2017			RESTRICTED TO -
MATERIAL -		PRODUCT SPEC -	SCALE A2	DRAWING NO. G-T1010101X0000	
		APPLICATION SPEC -	WEIGHT -	SHEET OF 1 1	
		CUSTOMER DRAWING	SCALE 1:1	REV A1	

单击下面可查看定价，库存，交付和生命周期等信息

[>>TE Connectivity\(泰科\)](#)