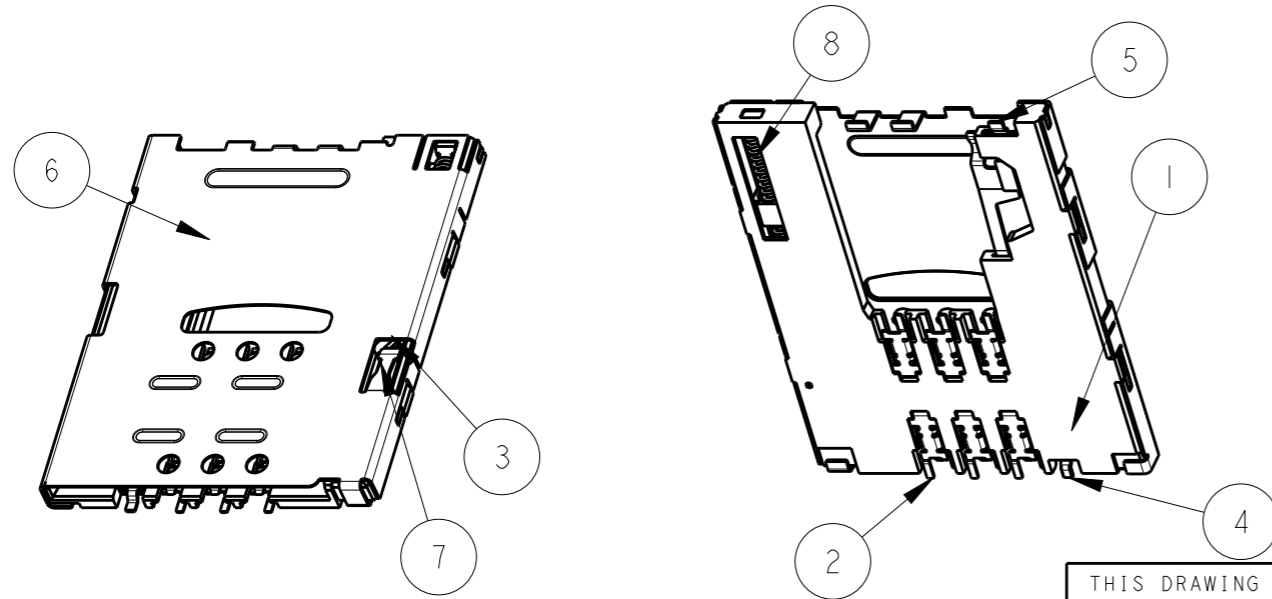
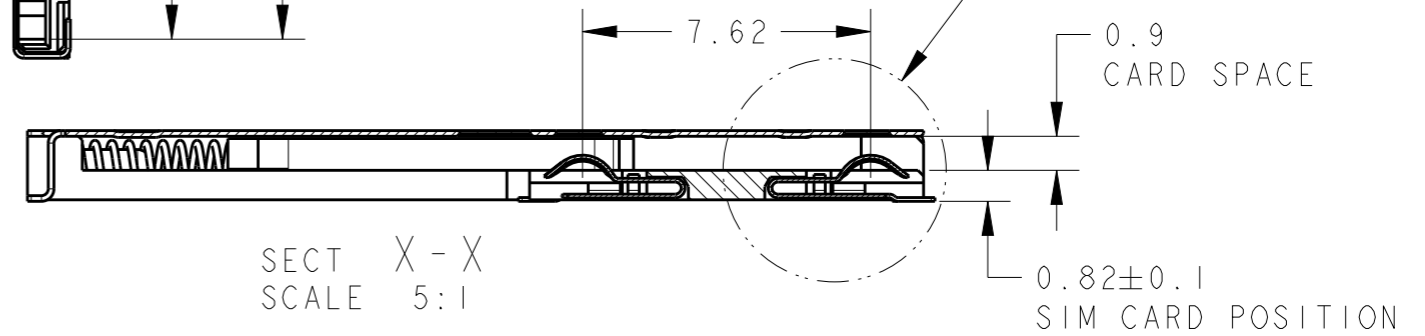
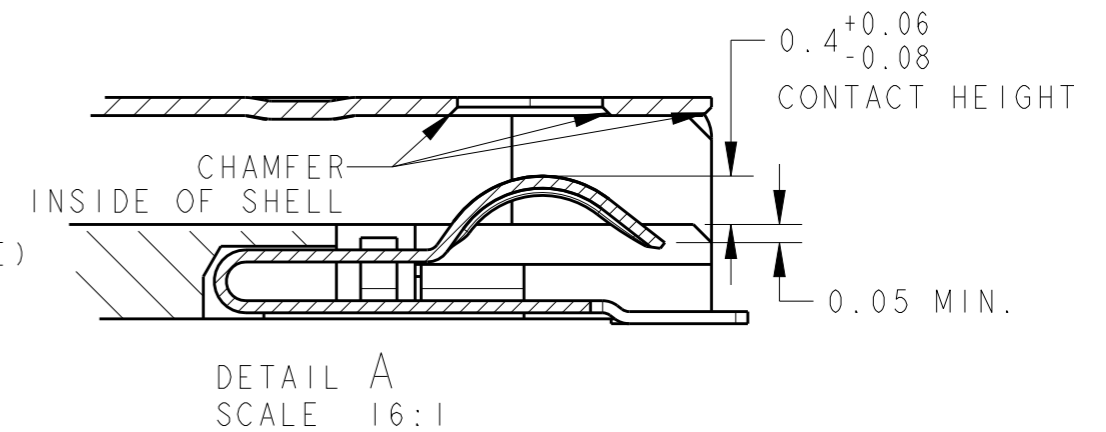
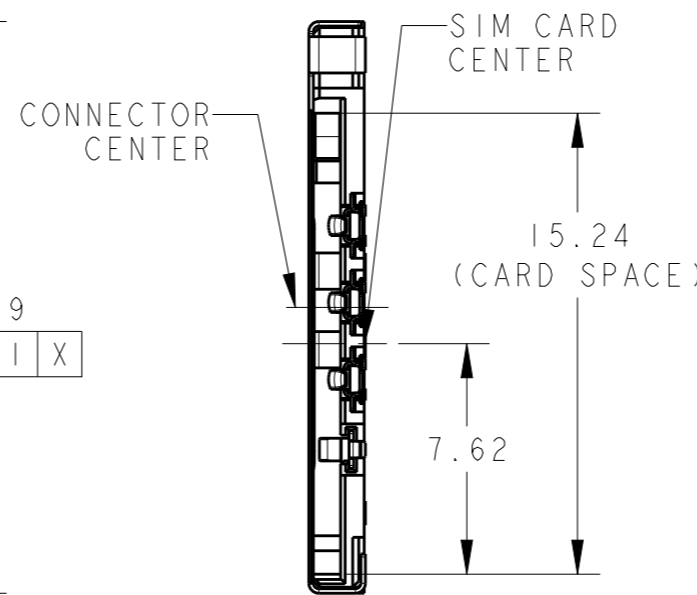
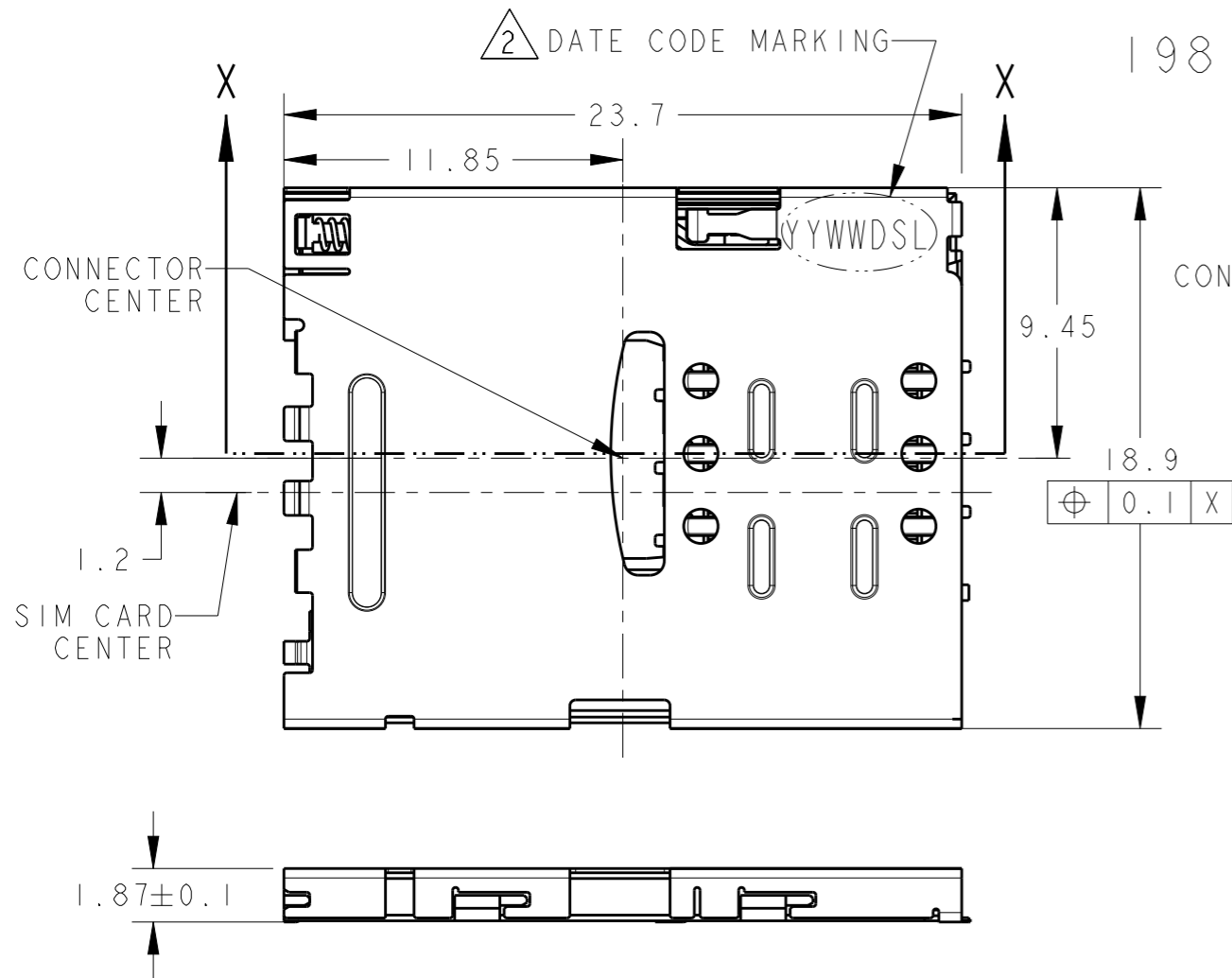


THIS DRAWING IS UNPUBLISHED. RELEASED FOR PUBLICATION 20071017
 © COPYRIGHT 2007 BY TYCO ELECTRONICS CORPORATION. ALL RIGHTS RESERVED.

REVISIONS
 変更

P	LTR	DESCRIPTION	DATE	DWN	APVD
	DI	REVISED	27MAR2020	N.U	K.K

1981959-1; AS SHOWN



QTY	FINISH	MATERIAL	DESCRIPTION	ITEM
1	—	STEEL WIRE	COIL SPRING	8
1	—	STAINLESS	CAM ROD	7
1	ALL OVER Ni; 1um MIN SOLDERING AREA; MATTE TIN PLATING	COPPER ALLOY	SHELL	6
1	ALL OVER Ni; 1um MIN CONTACT AREA; Au 0.05um MIN SOLDERING AREA; TIN PLATING	COPPER ALLOY	SWITCH B	5
1	ALL OVER Ni; 1um MIN CONTACT AREA; Au 0.05um MIN SOLDERING AREA; TIN PLATING	COPPER ALLOY	SWITCH A	4
1	COLOR; BLACK	LCP	SLIDER	3
6	ALL OVER Ni; 1um MIN CONTACT AREA; Au 0.4um MIN SOLDERING AREA; Au 0.05um MIN	COPPER ALLOY	CONTACT	2
1	COLOR; BLACK	LCP	HOUSING	1

1. CONNECTOR INITIAL COPLANARITY; 0.1mmMAX.
 2. MARK DATE CODE

THIS DRAWING IS A CONTROLLED DOCUMENT.

DWN C. OHASHI 02NOV2007	TE Connectivity SIM CONNECTOR PUSH-PUSH TYPE HI.87 WITH SWITCH	
CHK Y. NAKAZAWA 02NOV2007		
APVD T. FUJATSUGI 08NOV2007		
NAME 名称		
DIMENSIONS: 単位: 概 mm	PRODUCT SPEC 製品規格 108-78454	
TOLERANCES UNLESS OTHERWISE SPECIFIED: 一般公差 ±0.12	APPLICATION SPEC 取付適用規格	
0 PLC ± 1 PLC ± 2 PLC ± 3 PLC ± 4 PLC ± ANGLES ±	WEIGHT 1.2g	
MATERIAL 材料 SEE TABLE	FINISH 仕上 SEE TABLE	
Customer Drawing		SIZE A3
		CAGE CODE 00779
		DRAWING NO C-1981959
		RESTRICTED TO -
		SCALE 尺度 4:1
		SHEET 1 OF 5
		REV DI

THIS DRAWING IS UNPUBLISHED.

RELEASED FOR PUBLICATION

20071017

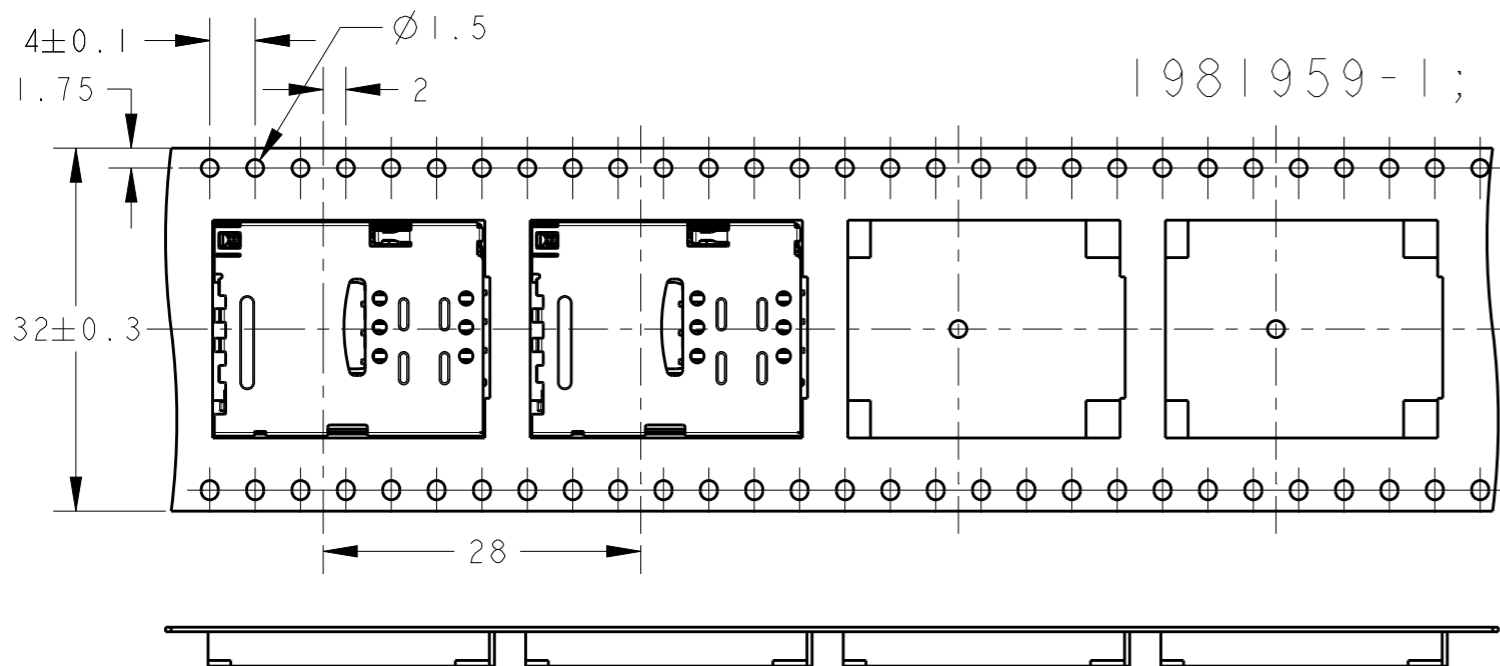
© COPYRIGHT 2007 BY TYCO ELECTRONICS CORPORATION. ALL RIGHTS RESERVED.

REVISIONS

変更

P	LTR	DESCRIPTION	DATE	DWN	APVD

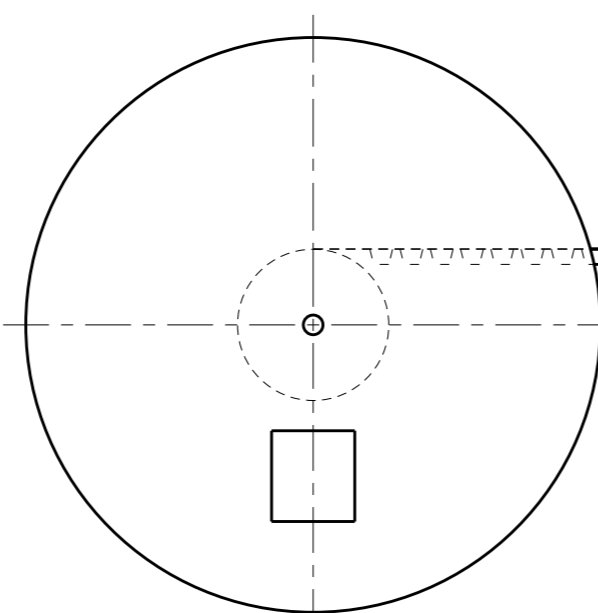
1981959-1; AS SHOWN



FRANGE CORE DIA
 $\phi 100 \pm 1$

$\phi 380 \pm 1$
REEL DIA.

32.4^{+2}_0
38.4 MAX
REEL WIDTH



300 REF
カバーテープリーダ部
WEEDING THE COVER TAPE

剥離角度 $165^\circ \sim 180^\circ$
PEELING ANGLE
剥離強度; $0.1 \sim 1.3$ N MAX (300mm/min)
PEELING STRENGTH

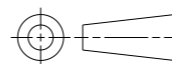
製品装填部
WITH PRODUCT CHARGE
800個 / 1リール
800EA / 1REEL

空部 7~10穴
WITHOUT CHARGE
7~10HOLES

300 REF
空部
WITHOUT CHARGE

THIS DRAWING IS A CONTROLLED DOCUMENT.

DIMENSIONS:
単位: 耗
mm



MATERIAL
材料

TOLERANCES UNLESS
OTHERWISE SPECIFIED:

- 一般公差 ± 0.2
- 0 PLC \pm
- 1 PLC \pm
- 2 PLC \pm
- 3 PLC \pm
- 4 PLC \pm
- ANGLES \pm
- FINISH
仕上

DWN
CHK
APVD
PRODUCT SPEC 製品規格
APPLICATION SPEC 取付適用規格
WEIGHT
Customer Drawing

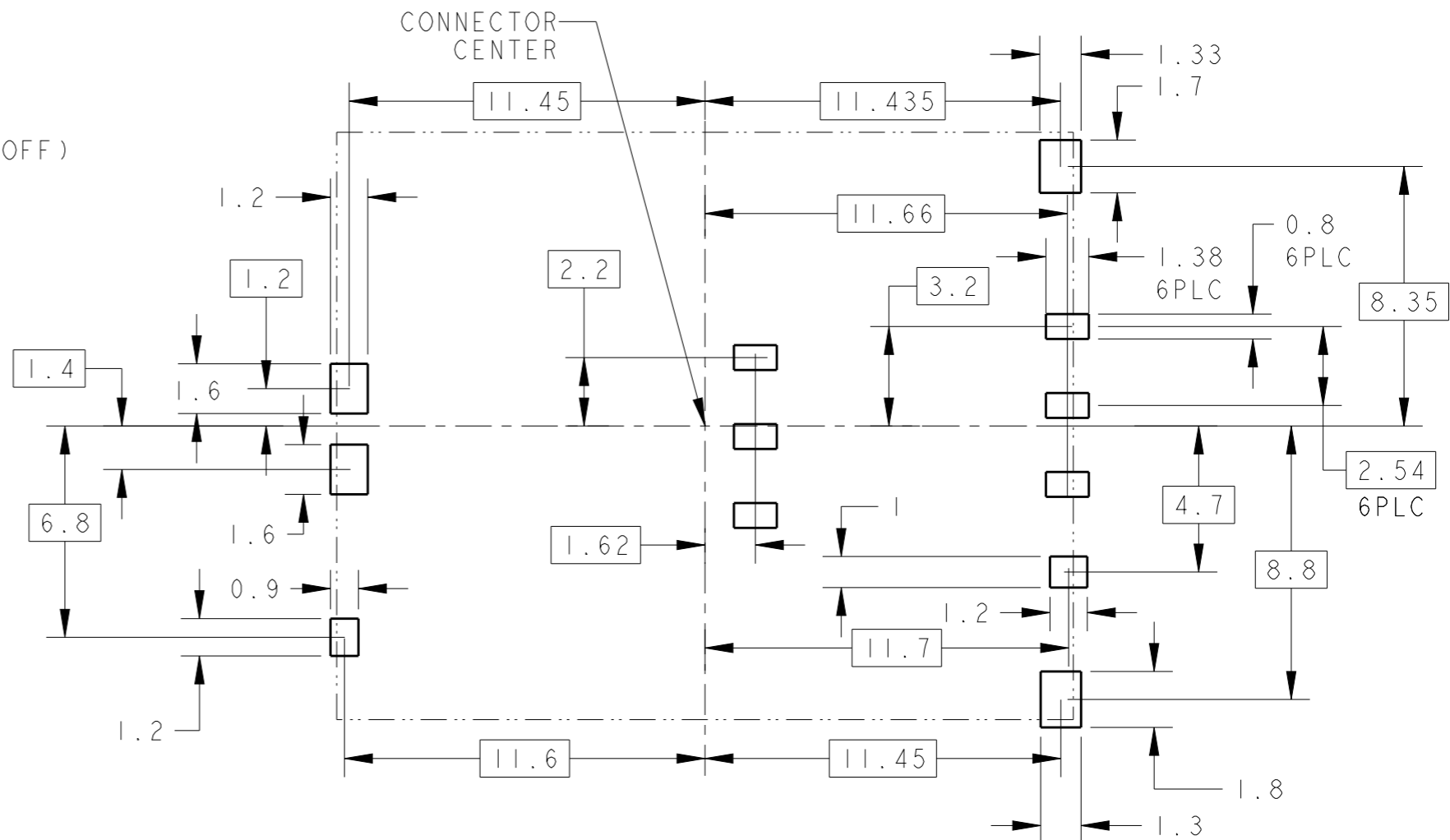
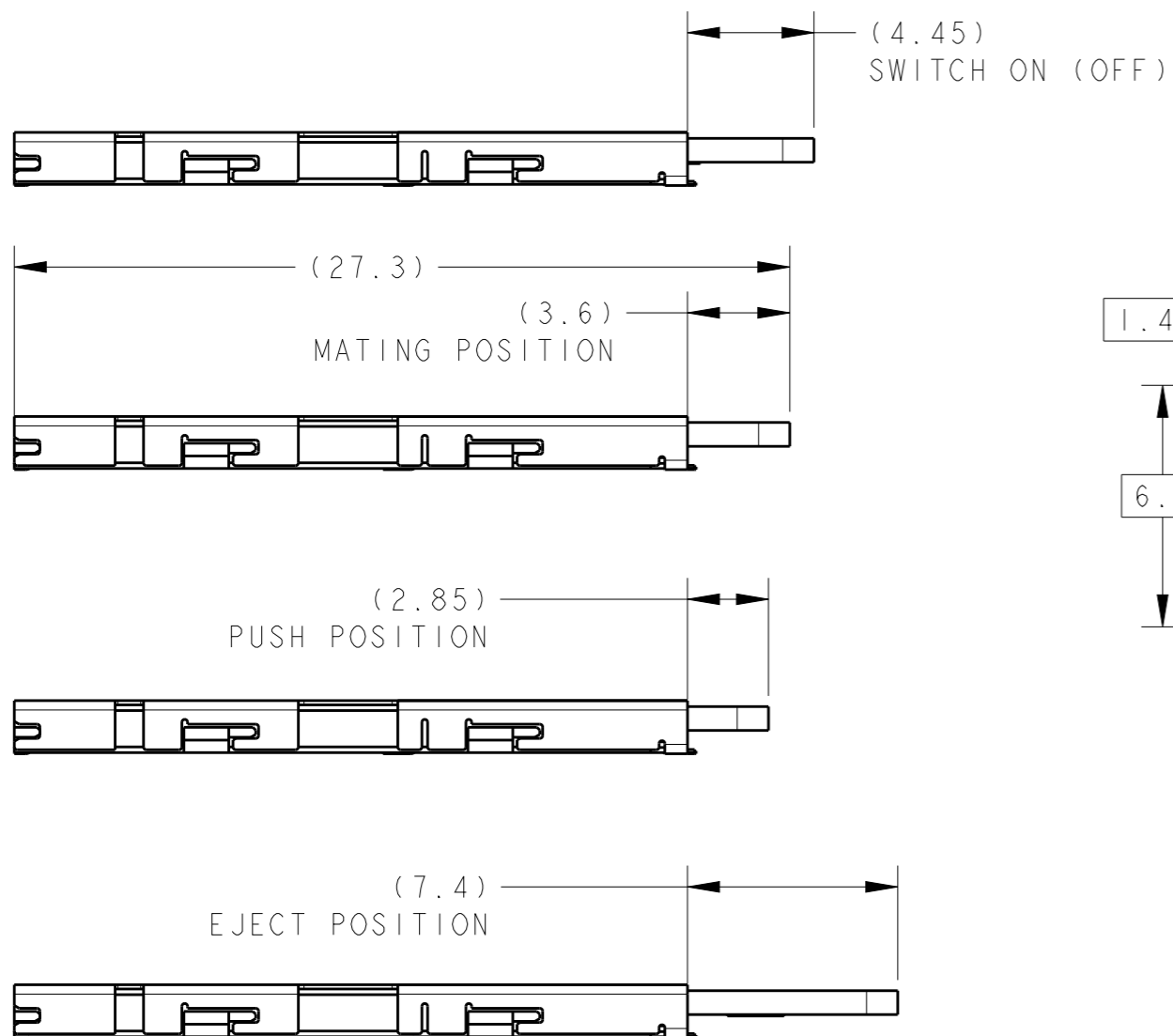
STE TE Connectivity

NAME 名称				SIM CONNECTOR PUSH-PUSH TYPE HI.87 WITH SWITCH	
SIZE	CAGE CODE	DRAWING NO 番号	RESTRICTED TO		
A3	00779	C-1981959	-		
SCALE 尺度		SHEET		OF	REV
4:1		2		5	D1

P	LTR	DESCRIPTION	DATE	DWN	APVD


ONLY FOR ENGINEERING EVALUATION

CARD POSITION



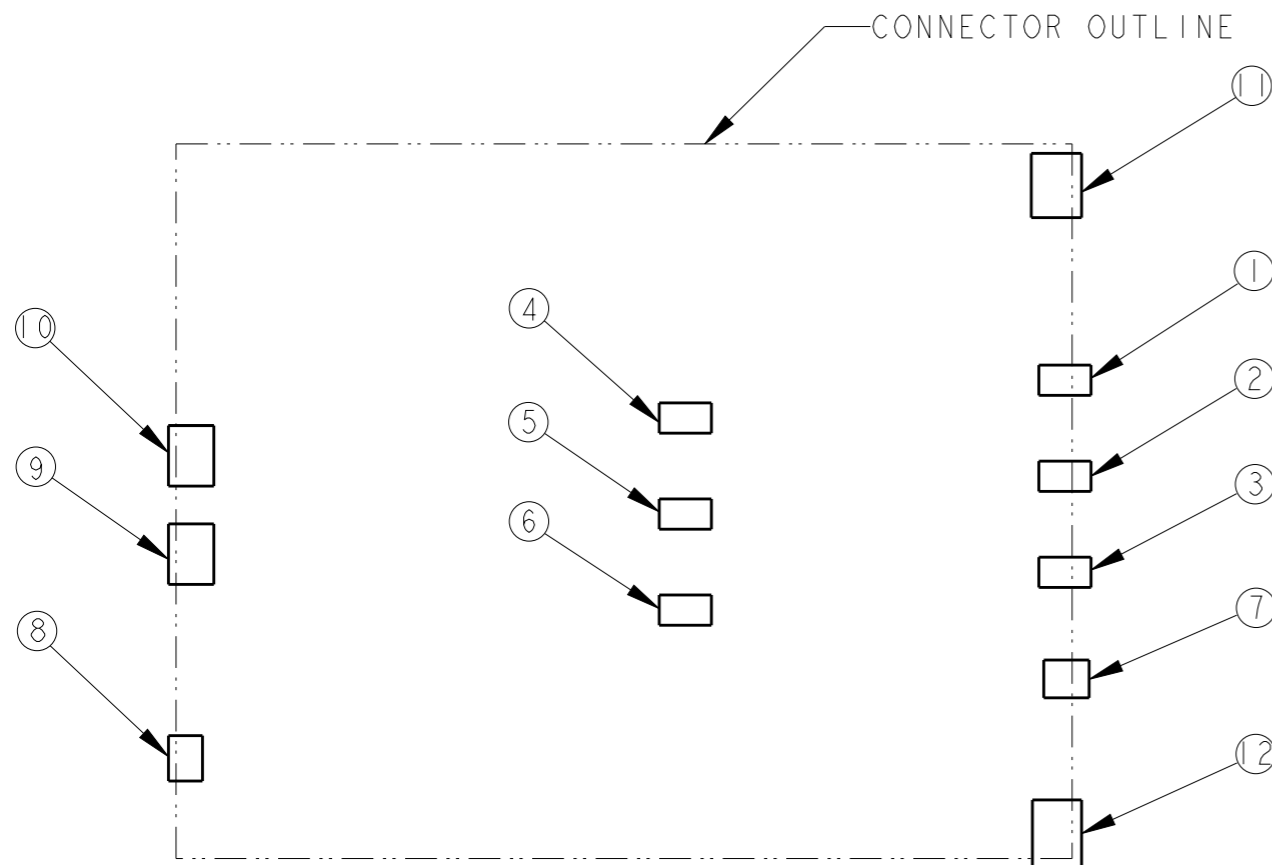
REFERENCE PCB LAYOUT
 GENERAL TOLERANCE: ±0.05mm
 SCALE 5:1

- 1 THIS CONNECTOR DOES NOT HAVE LOCK
- 2 RECOMMENDED SOLDERING THICKNESS; 100μm MIN.
RECOMMENDED SOLDERING AREA: 100% OF REFERENCE LAYOUT PATTERN.

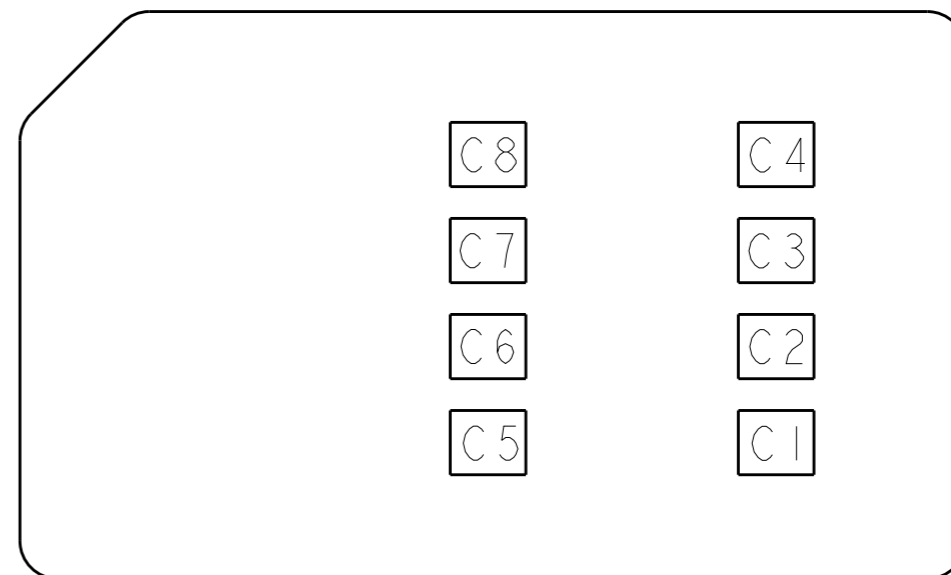
THIS DRAWING IS A CONTROLLED DOCUMENT.		DWN	 TE Connectivity			
DIMENSIONS: 單位: 耗 mm		CHK				
TOLERANCES UNLESS OTHERWISE SPECIFIED: 一般公差 ±0.12		APVD				
0 PLC ± 1 PLC ± 2 PLC ± 3 PLC ± 4 PLC ± ANGLES ±		NAME 名称	SIM CONNECTOR PUSH-PUSH TYPE HI.87 WITH SWITCH			
MATERIAL 材料		PRODUCT SPEC 製品規格	SIZE	CAGE CODE	DRAWING NO 番号	RESTRICTED TO
FINISH 仕上		APPLICATION SPEC 取付適用規格	A3	00779	G-1981959	-
Customer Drawing		WEIGHT	SCALE 尺度 4:1		SHEET 3 OF 5	REV D1

P	LTR	DESCRIPTION	DATE	DWN	APVD

ONLY FOR ENGINEERING EVALUATION



PCB LAYOUT(REFERENCE)
(VIEWED FROM CONNECTOR MOUNT SIDE)



SIM CARD PAD LAYOUT

SIM CARD PIN ASSIGNMENT

PIN NO.	NAME
C1	Vcc
C2	RST
C3	CLK
C4	RESERVED
C5	GND
C6	Vpp
C7	I/O
C8	RESERVED

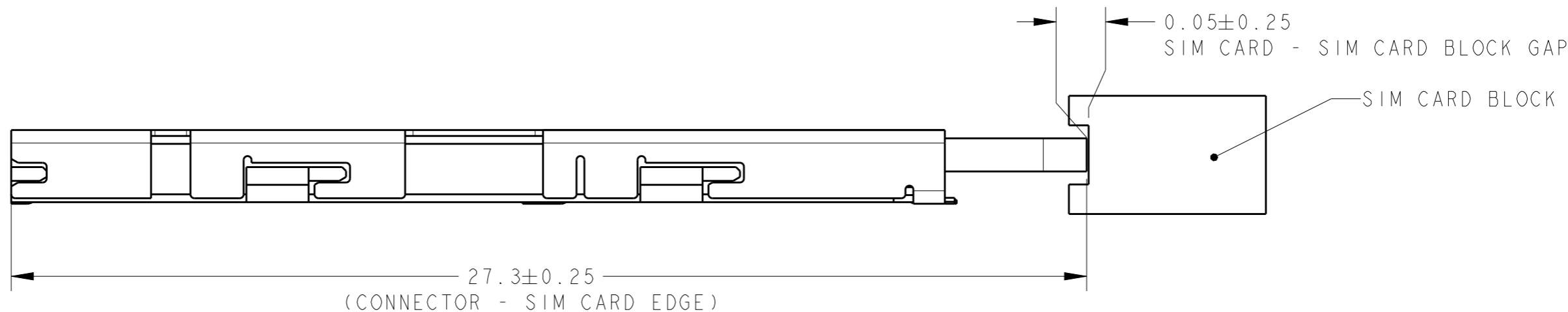
CONNECTOR PIN ASSIGNMENT		
NO.	PIN NAME	DESCRIPTION
①	C1	Vcc OF SIM
②	C2	RST OF SIM
③	C3	CLK OF SIM
④	C5	GND OF SIM
⑤	C6	Vpp OF SIM
⑥	C7	I/O OF SIM
⑦	SWA	DETECT SWITCH
⑧	SWB	DETECT SWITCH
⑨ ~ ⑫	GND	SHELL GROUND

THIS DRAWING IS A CONTROLLED DOCUMENT.		DWN	TE Connectivity	
DIMENSIONS: 単位: 耗 mm		CHK		
		APVD	NAME 名称 SIM CONNECTOR PUSH-PUSH TYPE HI.87 WITH SWITCH	
TOLERANCES UNLESS OTHERWISE SPECIFIED: 一般公差 ±0.12 0-PLC ± 1-PLC ± 2-PLC ± 3-PLC ± 4-PLC ± ANGLES ±		PRODUCT SPEC 製品規格	DRAWING NO 番号	
MATERIAL 材料		APPLICATION SPEC 取付適用規格	SIZE A3	CAGE CODE 00779
FINISH 仕上		WEIGHT	DRAWING NO C-1981959	
Customer Drawing		SCALE 尺度 5:1	SHEET 4 OF 5	REV D1

P	LTR	DESCRIPTION	DATE	DWN	APVD

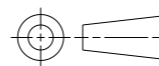
FOR ENGINEERING EVALUATION

*THERE IS NO SIM CARD LOCK IN THIS CONNECTOR.
PLEASE HOLD THE CARD EDGE AS SHOWN IN THE FIGURE BELOW AT TIME OF USE.



THIS DRAWING IS A CONTROLLED DOCUMENT.

DIMENSIONS:
單位: 耗
mm



MATERIAL
材料

TOLERANCES UNLESS OTHERWISE SPECIFIED:
一般公差 ±0.25

- 0 PLC ±
- 1 PLC ±
- 2 PLC ±
- 3 PLC ±
- 4 PLC ±
- ANGLES ±

FINISH
仕上

DWN

CHK

APVD

PRODUCT SPEC
製品規格

APPLICATION SPEC
取付適用規格

WEIGHT

Customer Drawing



TE Connectivity

NAME
名称

SIM CONNECTOR
PUSH-PUSH TYPE
HI.87 WITH SWITCH

SIZE

CAGE CODE

DRAWING NO
番号

RESTRICTED TO

A3

00779

G-1981959

SCALE
尺度 8:1

SHEET 5 OF 5

REV D1

单击下面可查看定价，库存，交付和生命周期等信息

[>>TE Connectivity\(泰科\)](#)