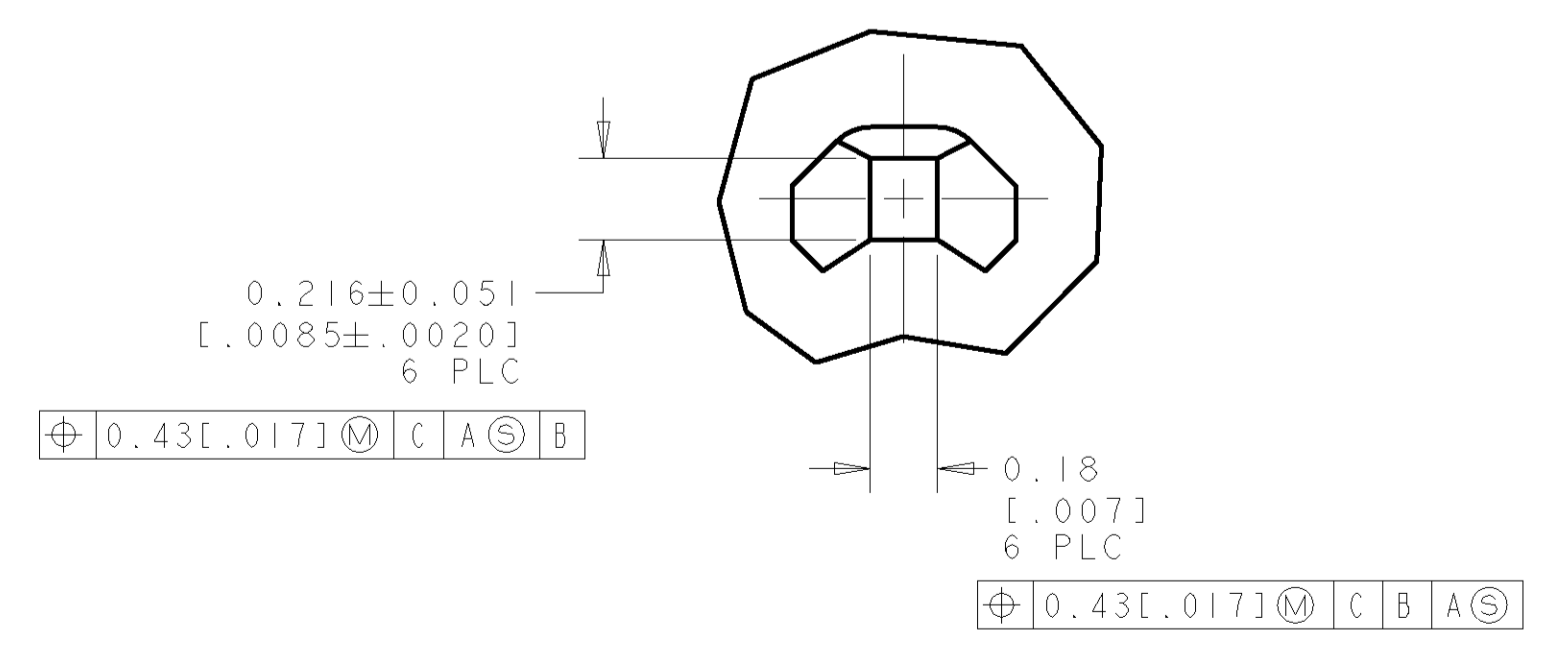
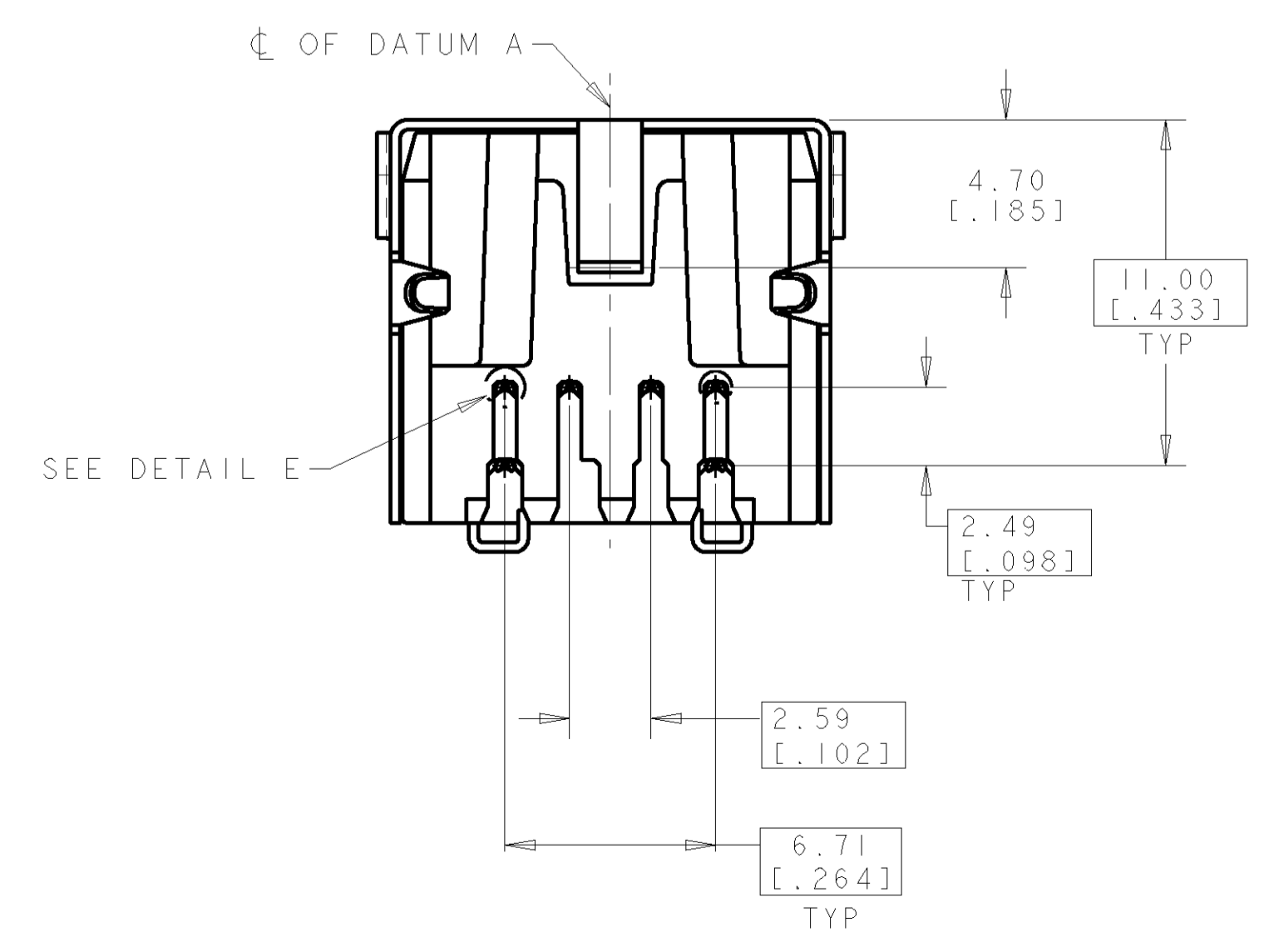
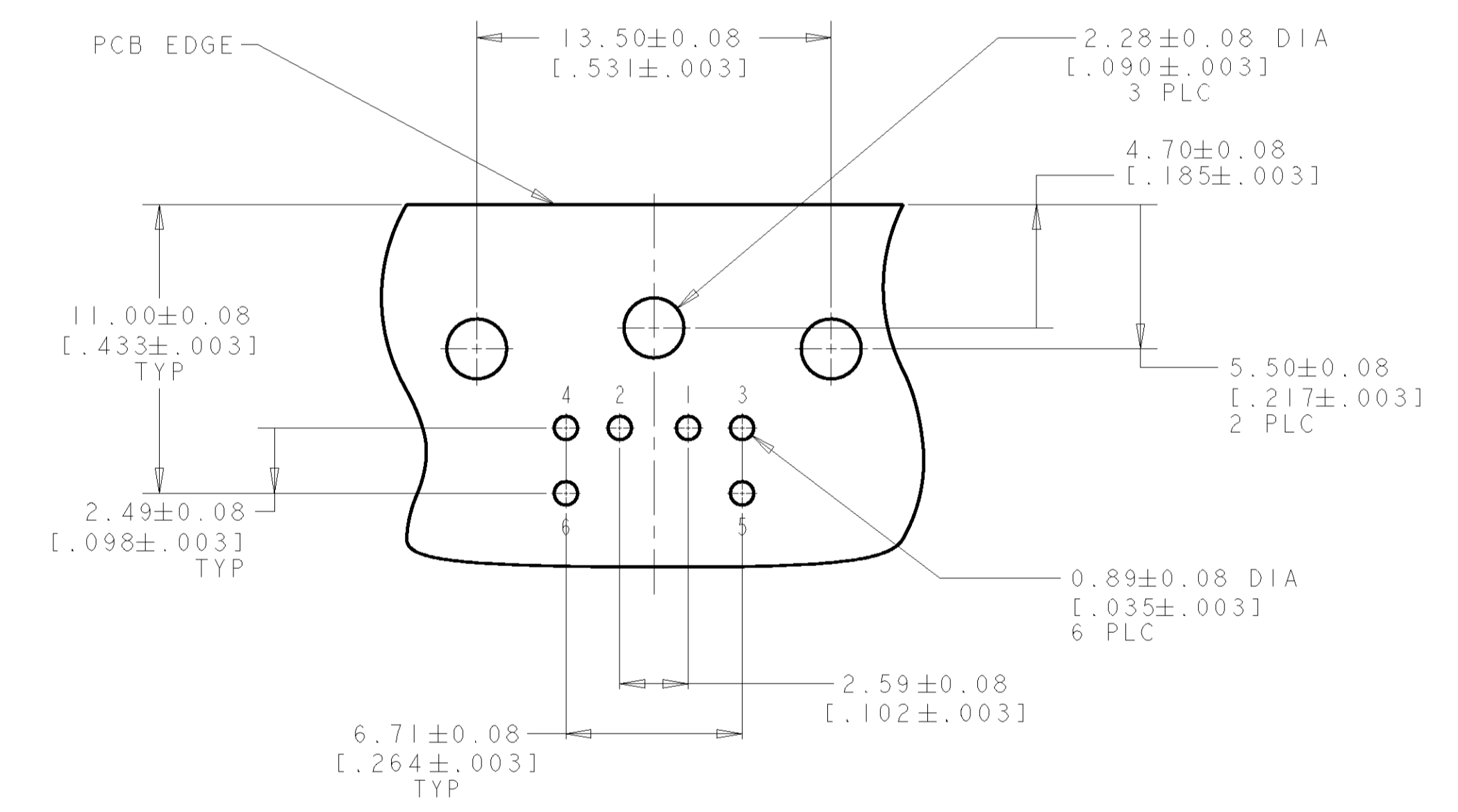
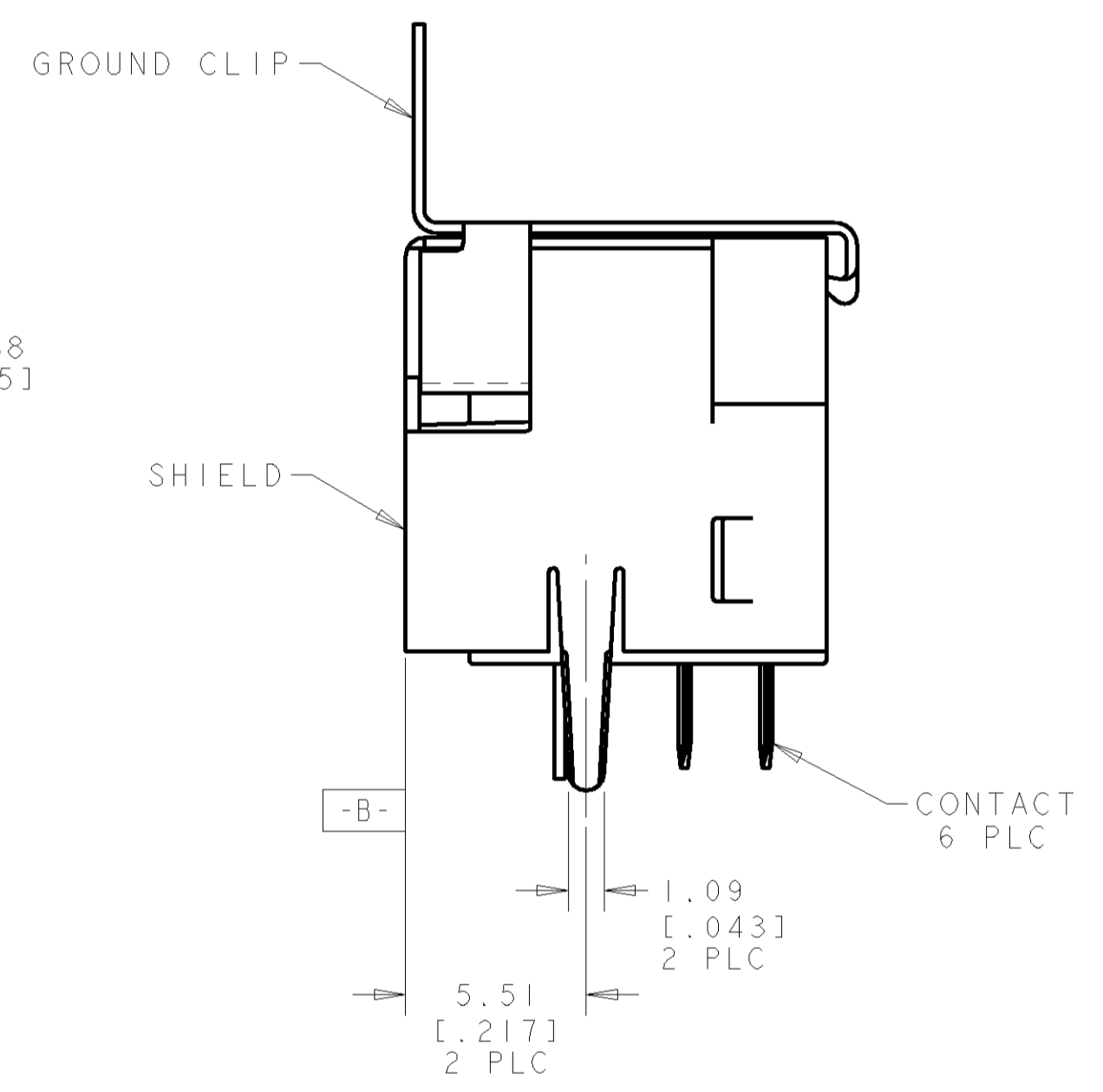
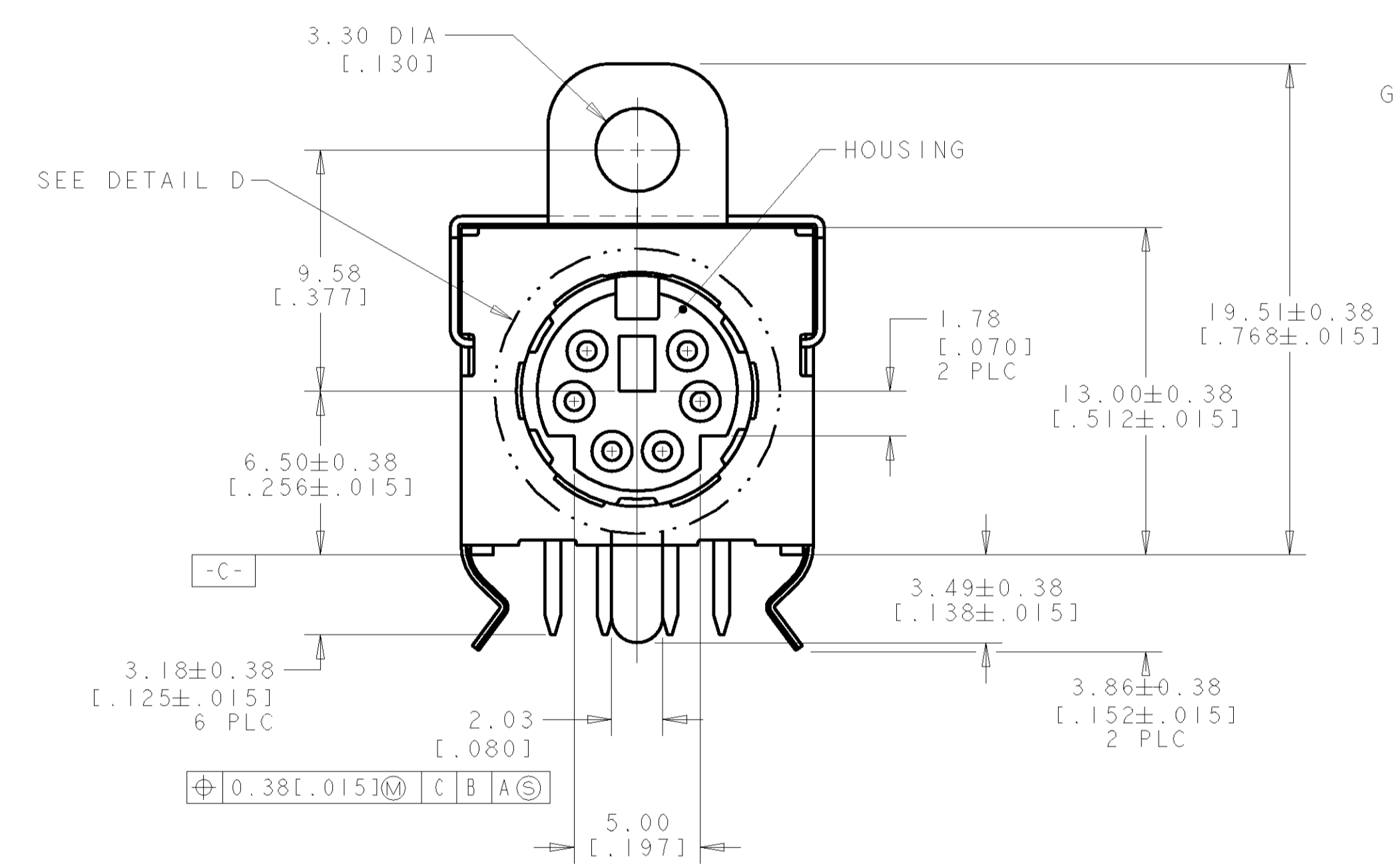
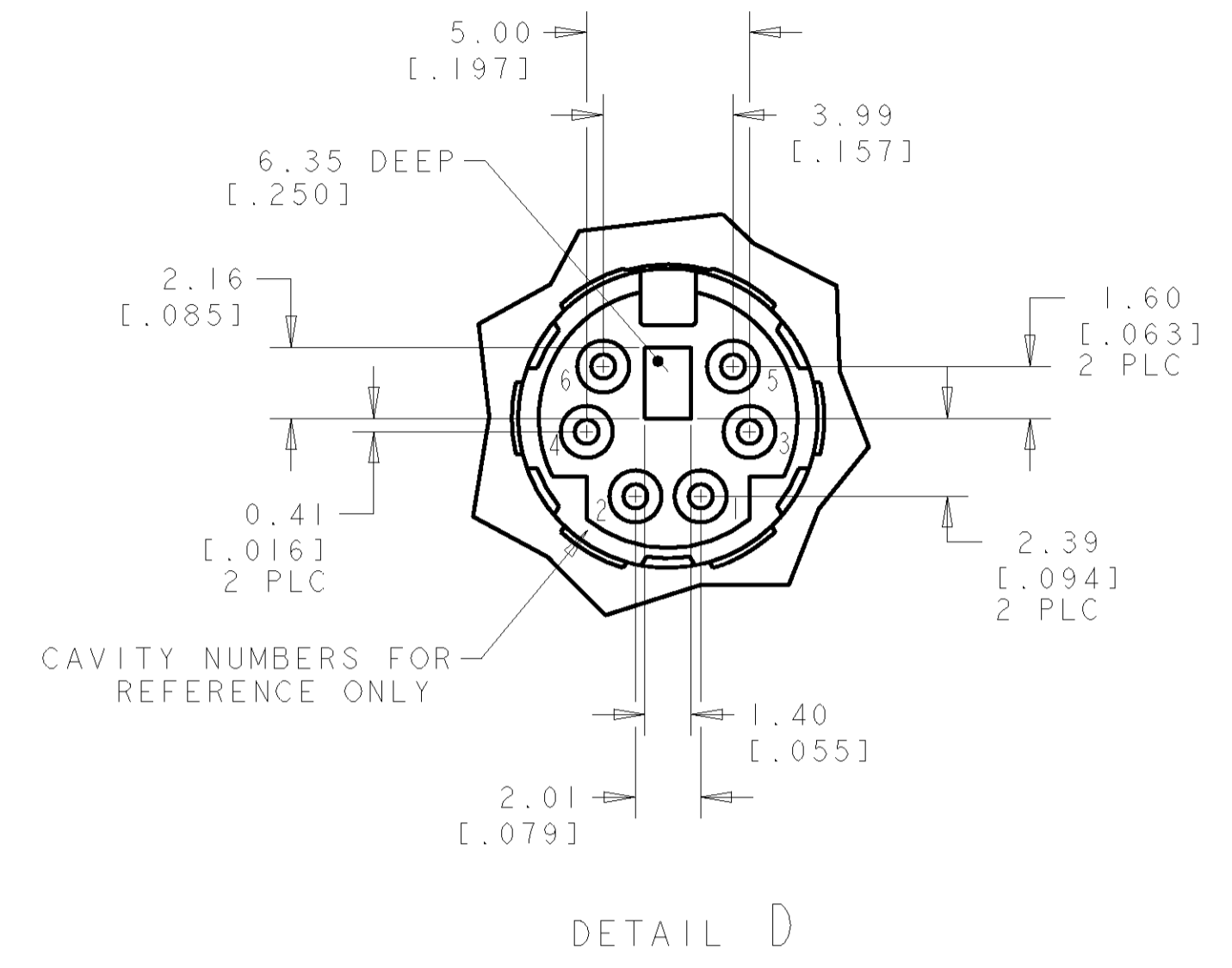
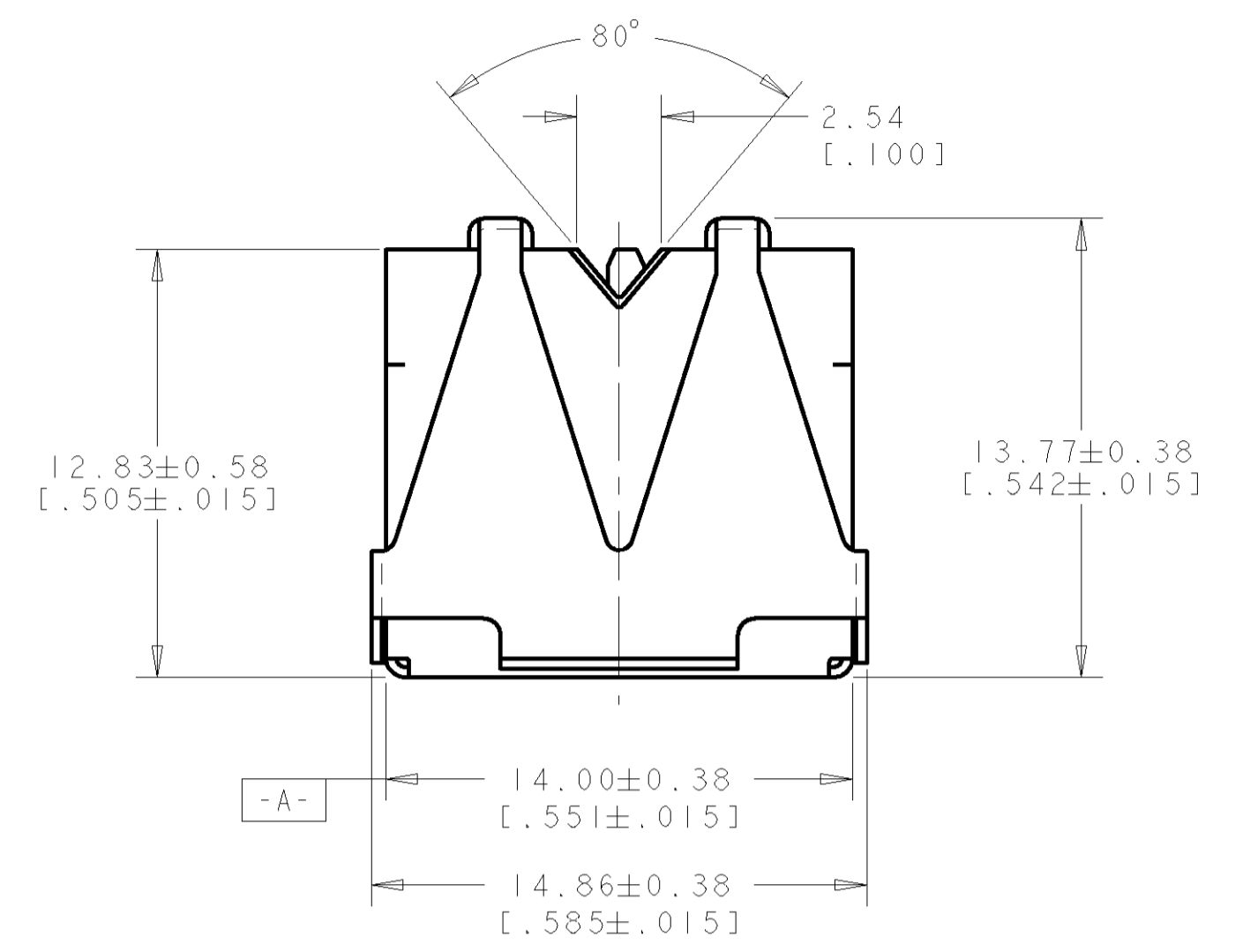


LOC	DIST	REV	DATE	BY	CHKD	APPRD
DY	-	0	05JAN05	LWY	LSF	

NOTES:

- 1 HOUSING: THERMOPLASTIC, UL 94V-0 RATED, GRAY
- 2 CONTACT & SHIELD: COPPER ALLOY
- 3 CONTACT: 0.76um [.000030] MIN GOLD FOR A LENGTH OF 1.52 [.060] MIN FROM MATING END, 3.05um [.000120] MIN MATTE-TIN ON OPPOSITE END, BOTH OVER 1.27um [.000050] MIN NICKEL, ENTIRE CONTACT.
- 4 SHIELD: PRE-TIN PLATED



DETAIL E  
SCALE 50:1

P/N: 5750725-1 AS SHOWN

THIS DRAWING IS A CONTROLLED DOCUMENT FOR AMP INCORPORATED. ALL DIMENSIONS SHALL BE TO THE CENTERLINE UNLESS OTHERWISE SPECIFIED.		DWG: WYLEE CHK: WYLEE APD: SE LEONG	05JAN2005 NAME: RECEPTACLE ASSY, W/ HOLD DOWN, SPECIAL, 7 POS, RIGHT ANGLE, MINIATURE CIRCULAR DIN PRODUCT SPEC: 108-1225 APPLICATION SPEC: 114-40031	Tyco Electronics Singapore Pte. Ltd.
DIMENSIONS: mm [ INCHES ]	TOLERANCES UNLESS OTHERWISE SPECIFIED: 0 PLC ± 1 PLC ±0.13 [.005] 2 PLC ± 3 PLC ± 4 PLC ± ANGLES ±	SIZE: A1 CAGE CODE: 00779 DRAWING NO: 5750725	SCALE: 5:1 SHEET: 1 OF 1 REV: 0	CUSTOMER DRAWING

单击下面可查看定价，库存，交付和生命周期等信息

[>>TE Connectivity\(泰科\)](#)