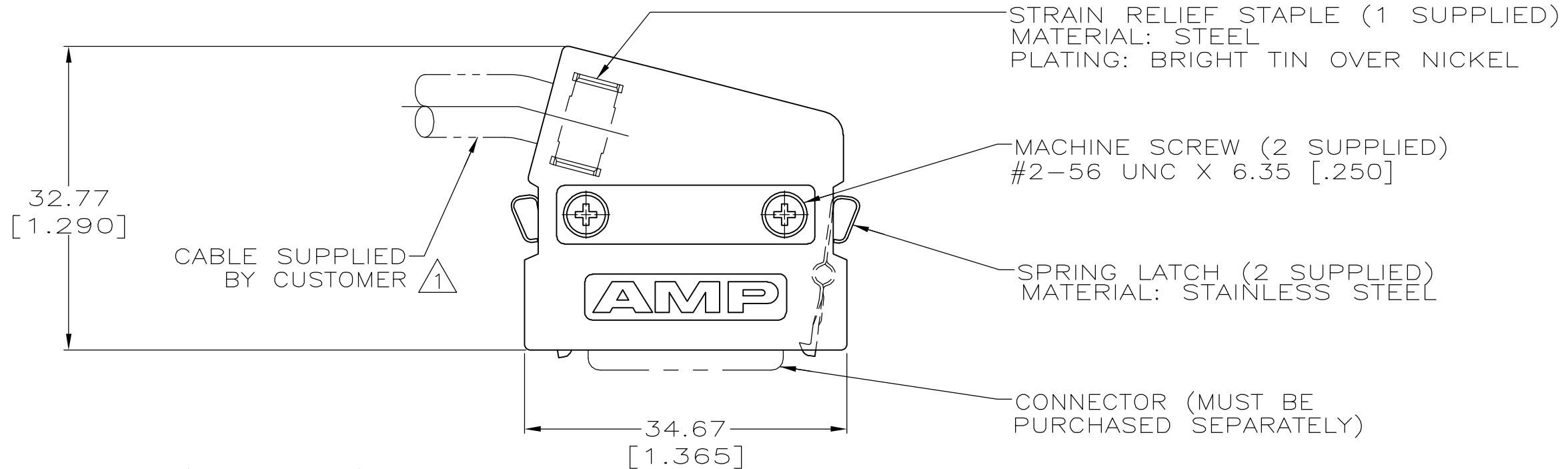


THIS DRAWING IS UNPUBLISHED. RELEASED FOR PUBLICATION --  
 © COPYRIGHT BY TYCO ELECTRONICS CORPORATION. ALL RIGHTS RESERVED.

LOC	DIST	REVISIONS					
GP	00	P	LTR	DESCRIPTION	DATE	DWN	APVD
		0		RELEASED PER EC OS13-0001-05	26AUG05	GP	JG



UPPER BACKSHELL (1 SUPPLIED)  
MATERIAL: ZINC  
PLATING: NICKEL OVER COPPER

LOWER BACKSHELL (1 SUPPLIED)  
MATERIAL: ZINC  
PLATING: NICKEL OVER COPPER

- ① 6.86 [.270] MAX CABLE DIA.
- ② PARTS PACKAGED AS A UNIT KIT.
- ③ INDIVIDUALLY BULK PACKAGED.

**COPYRIGHT 2005  
TYCO ELECTRONICS CORP  
ALL RIGHTS RESERVED**

③	5749609-2
②	5749609-1
PACKAGING	PART NO

THIS DRAWING IS A CONTROLLED DOCUMENT.		DWN G.PETERS 26AUG05	Tyco Electronics Corporation Harrisburg, PA 17105-3608													
DIMENSIONS: mm [INCHES]		CHK S.SHUEY 26AUG05														
TOLERANCES UNLESS OTHERWISE SPECIFIED:		APVD M.WALMSLEY 26AUG05	NAME INDIVIDUAL KIT, UNASSEMBLED, 26 POSITION, 75 DEG EXIT, UNKEYED, AMPLIMITE .050 Series													
<table border="1"> <tr><td>0 PLC</td><td>± -</td></tr> <tr><td>1 PLC</td><td>± -</td></tr> <tr><td>2 PLC</td><td>± -</td></tr> <tr><td>3 PLC</td><td>± 0.38 [.015]</td></tr> <tr><td>4 PLC</td><td>± -</td></tr> <tr><td>ANGLES</td><td>± -</td></tr> </table>		0 PLC	± -	1 PLC	± -	2 PLC	± -	3 PLC	± 0.38 [.015]	4 PLC	± -	ANGLES	± -	PRODUCT SPEC -	RESTRICTED TO -	
0 PLC	± -															
1 PLC	± -															
2 PLC	± -															
3 PLC	± 0.38 [.015]															
4 PLC	± -															
ANGLES	± -															
MATERIAL -	FINISH -	APPLICATION SPEC -	SIZE A3	CAGE CODE 00779												
		WEIGHT -	DRAWING NO C-5749609													
CUSTOMER DRAWING			SCALE 1:1	SHEET 1 OF 1												
			REV 0													

单击下面可查看定价，库存，交付和生命周期等信息

[>>TE Connectivity\(泰科\)](#)