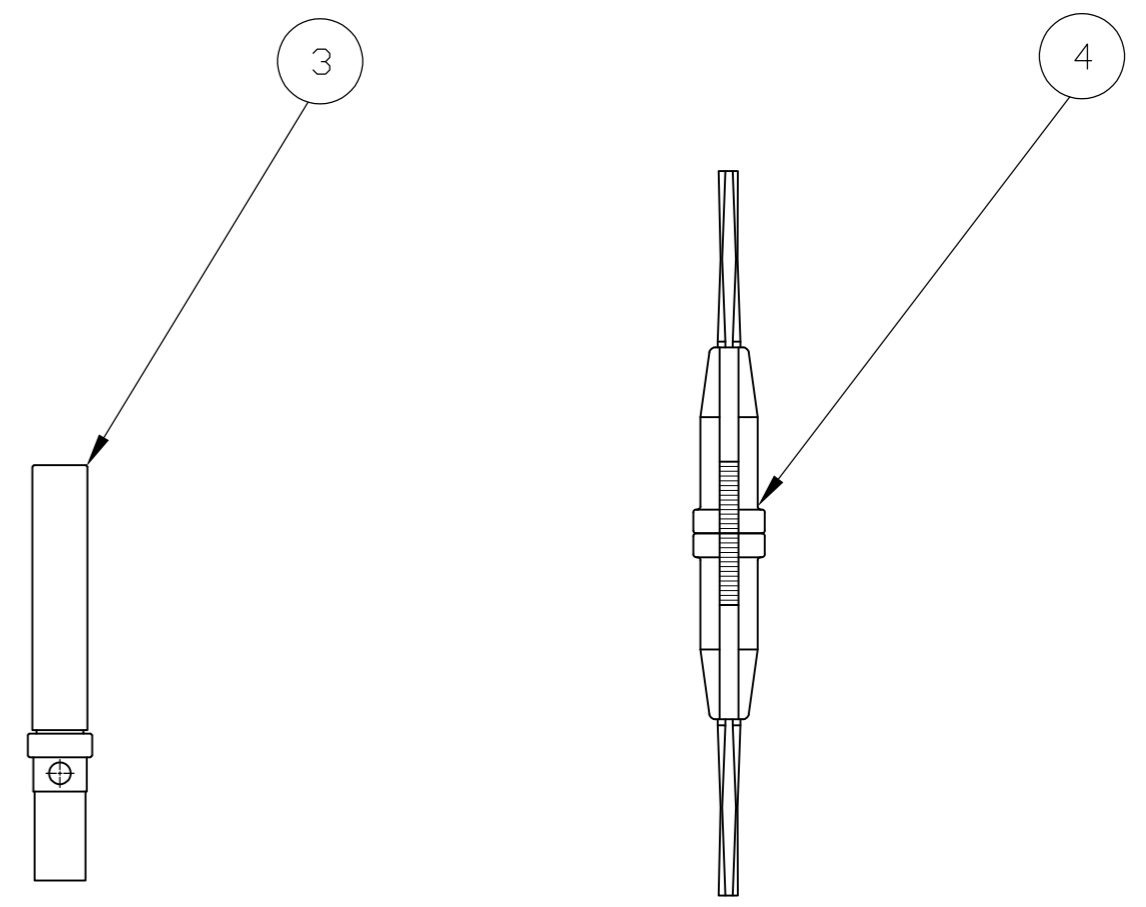
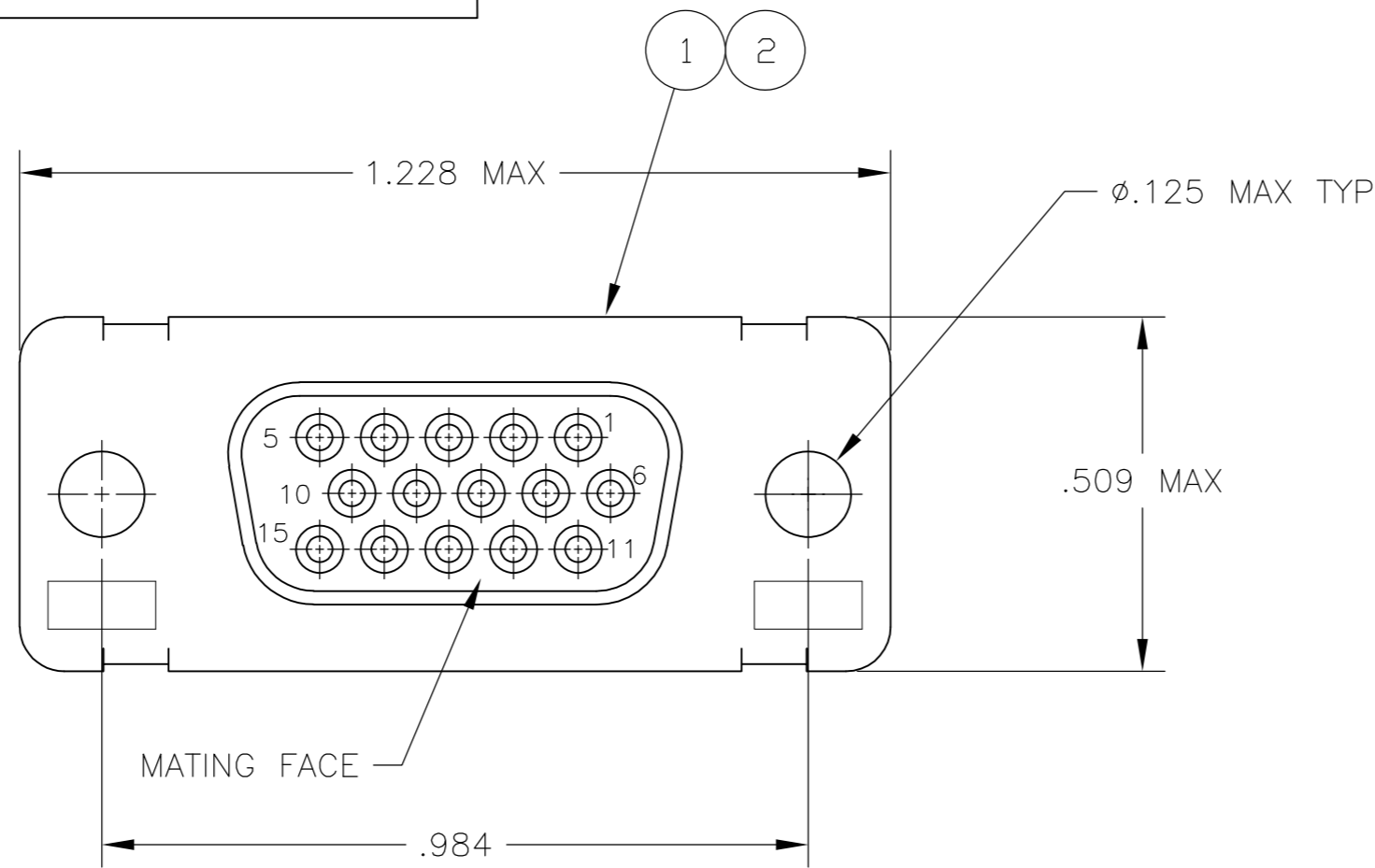
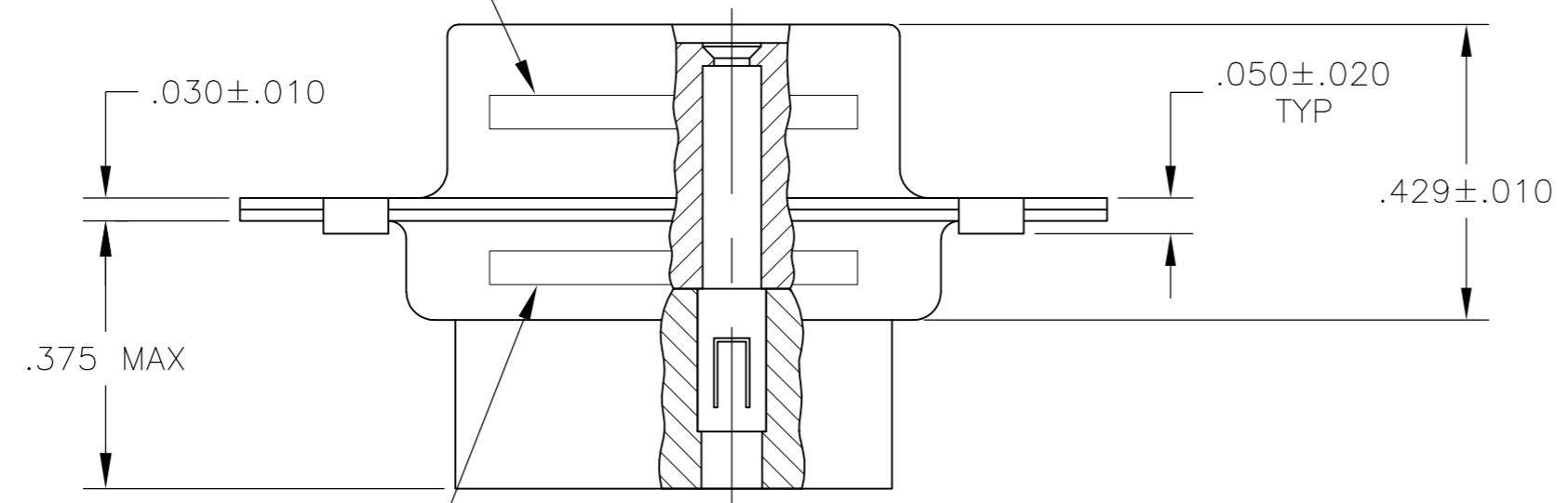


THIS DRAWING IS UNPUBLISHED. RELEASED FOR PUBLICATION
 © COPYRIGHT - By - ALL RIGHTS RESERVED.

LOC	DIST	REVISIONS					
DF	D5	P	LTR	DESCRIPTION	DATE	DWN	APVD
		G1		REVISED PER ECO-11-005030	11MAR11	RK	HMR



MARK TE & DATE CODE
 PER 115-10002-2
 NEAR SIDE



MARK MILITARY PART NO.
 FAR SIDE PER 115-10002-2
 MARK TE PART NO, NEAR SIDE
 SEE TABLE

	OBSOLETE	M24308/6-17F	M24308/6-11F	91067-1	204351-1	204500-2	-	204512-6
	SUPERSEDED BY 206497-4 & (15) 206071-1	M24308/6-11F	M24308/6-11F	-	204351-1	204500-2	-	204512-5
	SUPERSEDED BY 206497-4 & 91067-1	-	M24308/6-11F	91067-1	-	204500-2	-	204512-4
		M24308/2-17F	M24308/2-11F	91067-1	204351-1	-	204500-1	204512-3
		M24308/2-11F	M24308/2-11F	-	204351-1	-	204500-1	204512-2
		-	M24308/2-11F	91067-1	-	-	204500-1	204512-1
	MILITARY P/N ON PACKAGE	MILITARY P/N ON CONNECTOR	(4) INSERT/EXTRACT TOOL QTY = 1	(3) SOCKET CONTACT QTY = 15	(2) RECEPTACLE ASSY QTY = 1	(1) RECEPTACLE ASSY QTY = 1	PART NUMBER	

THIS DRAWING IS A CONTROLLED DOCUMENT.

DIMENSIONS: INCHES	TOLERANCES UNLESS OTHERWISE SPECIFIED:	DWN P. YEAGER 15DEC08	 TE Connectivity AMPLIMITE KIT, HDD SERIES RECEPTACLE, SIZE 1, 15 POSITION
	0 PLC ± -	CHK R. LEASE 16DEC08	
	1 PLC ± -	APVD R. LEASE 16DEC08	
	2 PLC ± -	PRODUCT SPEC	
MATERIAL SEE TABLE	FINISH SEE TABLE	APPLICATION SPEC	RESTRICTED TO

SCALE: 4:1 SHEET 1 OF 1 REV G1

单击下面可查看定价，库存，交付和生命周期等信息

[>>TE Connectivity\(泰科\)](#)