

REVISIONS			
LTR	DESCRIPTION	DATE	APPROVED
B	REVISED PER ECN T-013154	DEC 8 89	J.B.
C	REVISED PER DCR# C060305	JUNE/22/06	M.HIGGY

NOTES:

1. MATERIAL:

- A) BACKSHELL COPPER ALLOY 172 PER ASTM B194
- B) BACKSHELL SCREW STAINLESS STEEL PER SAE-AMS-QQ-S-763, 300 SERIES
- C) CLAMP BAR STAINLESS STEEL PER ASTM A240, 300 SERIES
- D) INSERT ALUMINUM ALLOY PER ASTM B211
- E) CLAMP SCREW STAINLESS STEEL PER SAE-AMS-QQ-S-763, 300 SERIES
- F) BUSBAR COPPER ALLOY 172 PER ASTM B194

2. FINISH:

- A) BACKSHELL CADMIUM PLATED PER SAE-AMS-QQ-P-416
- B) BACKSHELL SCREW CADMIUM PLATED PER SAE-AMS-QQ-P-416
- C) CLAMP BAR CADMIUM PLATED PER SAE-AMS-QQ-P-416
- D) INSERT CADMIUM PLATED PER SAE-AMS-QQ-P-416
- E) CLAMP SCREW CADMIUM PLATED PER SAE-AMS-QQ-P-416
- F) BUSBAR SOLDER PLATED PER SAE-AMS-P-81728

3 RAYCHEM PART NUMBER CHA-0217 AND DATE CODE ARE STAMPED APPROXIMATELY AS SHOWN.

4.

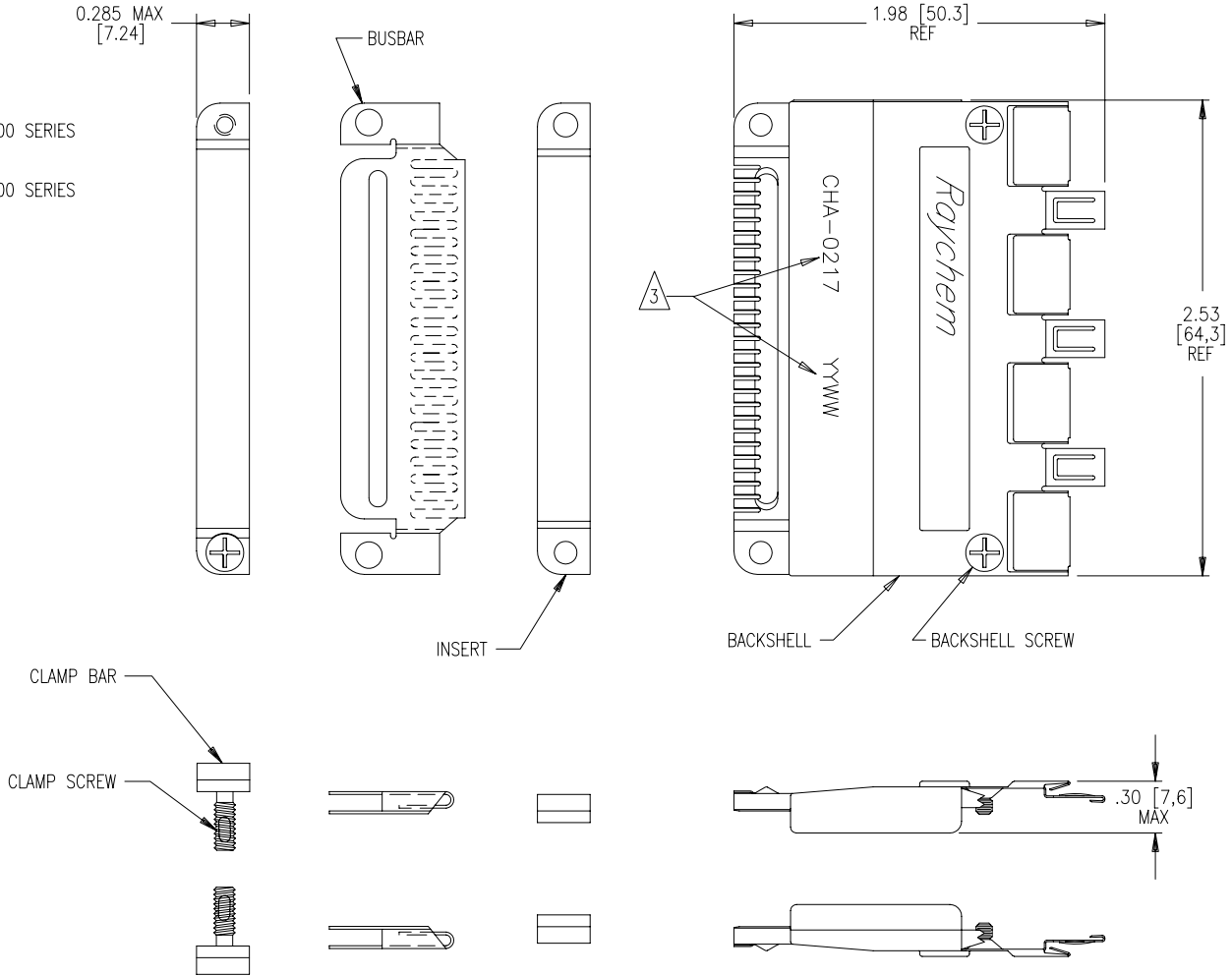
AVAILABLE WIRE AND Solder Sleeve® MATCHES

WIRE NUMBER	Solder Sleeve® NUMBER
MS 27500 24 SE1G23	D-100-0066
MS 27500 22 SE1G23	D-110-0066
MS 27500 24 SE2G23	D-110-0056
MS 27500 22 SE2G23	D-110-0056
MS 27500 24 SE3G23	D-110-0056
MS 27500 22 SE3G23	D-110-0056
MS 27500 24 SE4G23	D-110-0056
MS 27500 22 SE4G23	D-110-0056

SOLDER SLEEVES® TO BE PURCHASED SEPARATELY.

5 WEIGHT: .061 LBS - 27.67 GRAMS MAXIMUM.

0.285 MAX [7.24]



SPECIFICATION CONTROL DRAWING

© 2006 Tyco Electronics Corporation. All rights reserved

UNLESS OTHERWISE SPECIFIED DIMENSIONS ARE IN INCHES. METRIC DIMENSIONS ARE IN BRACKETS.	DRAWN	LUTTICKEN	891111		TYCO ELECTRONICS CORPORATION 300 Constitution Drive Menlo Park, CA. 94025 U.S.A.			
	CHECKED							
DECIMALS .XXX ± .005 [0.13mm] .XX ± .02 [0.5mm]	APPROVED	J.BLAIR	88NOV3	TITLE BACKSHELL, PLUG, 2 INCH, EME, CADMIUM PLATED SHIELDED PLANAR-ARRAYED CABLES MTC SERIES				
	APPROVED	J.CAMERON	88NOV11					
ANGLES .X ±	CAD NAME	C060305.DWG			SIZE	CODE IDENT. NO.	DWG. NO.	REV
WEIGHT: 5	THIRD ANGLE PROJECTION				C	06090	CHA-0217	C

If this document is printed it becomes uncontrolled. Check for the latest revision

单击下面可查看定价，库存，交付和生命周期等信息

[>>TE Connectivity\(泰科\)](#)