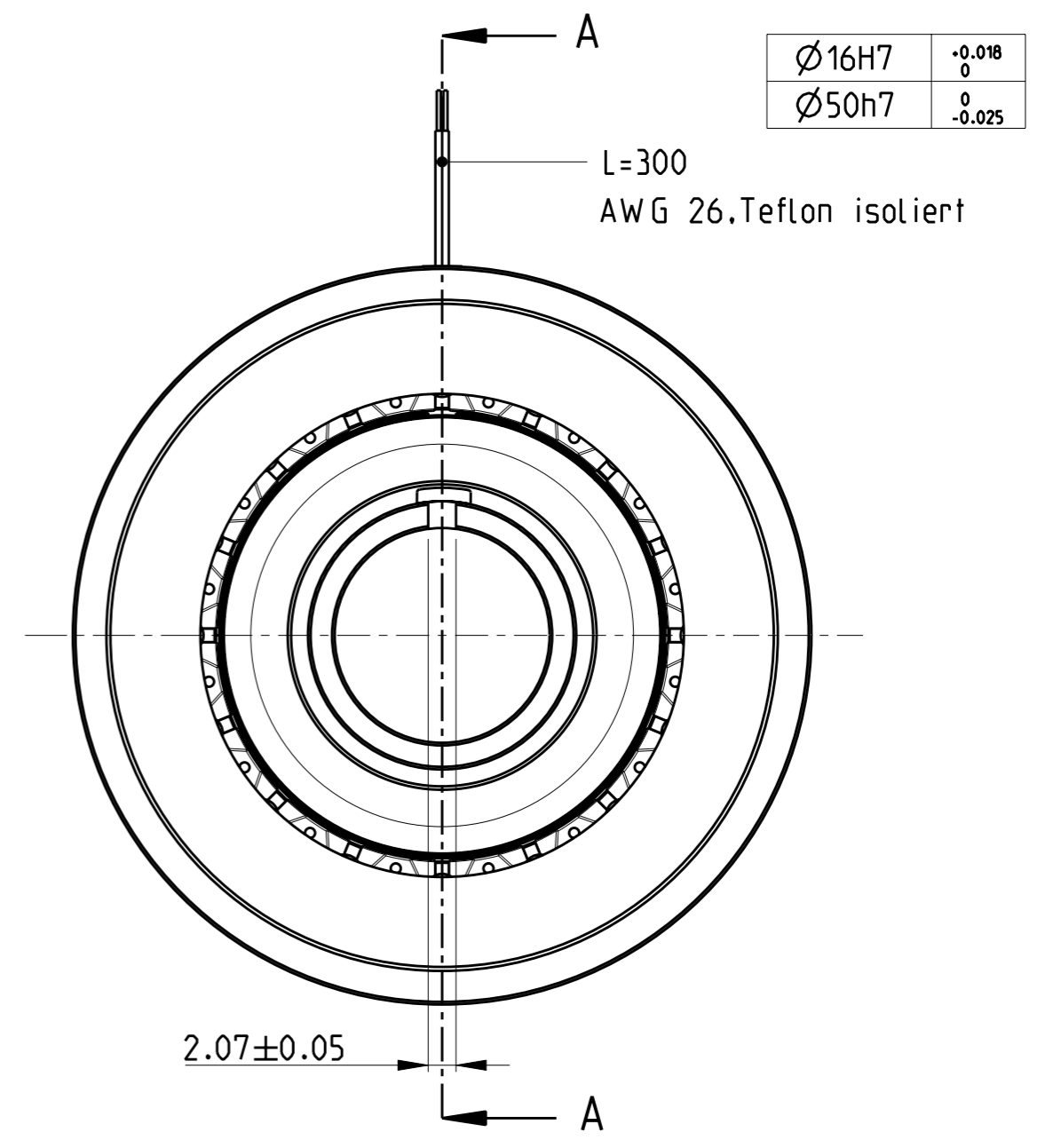
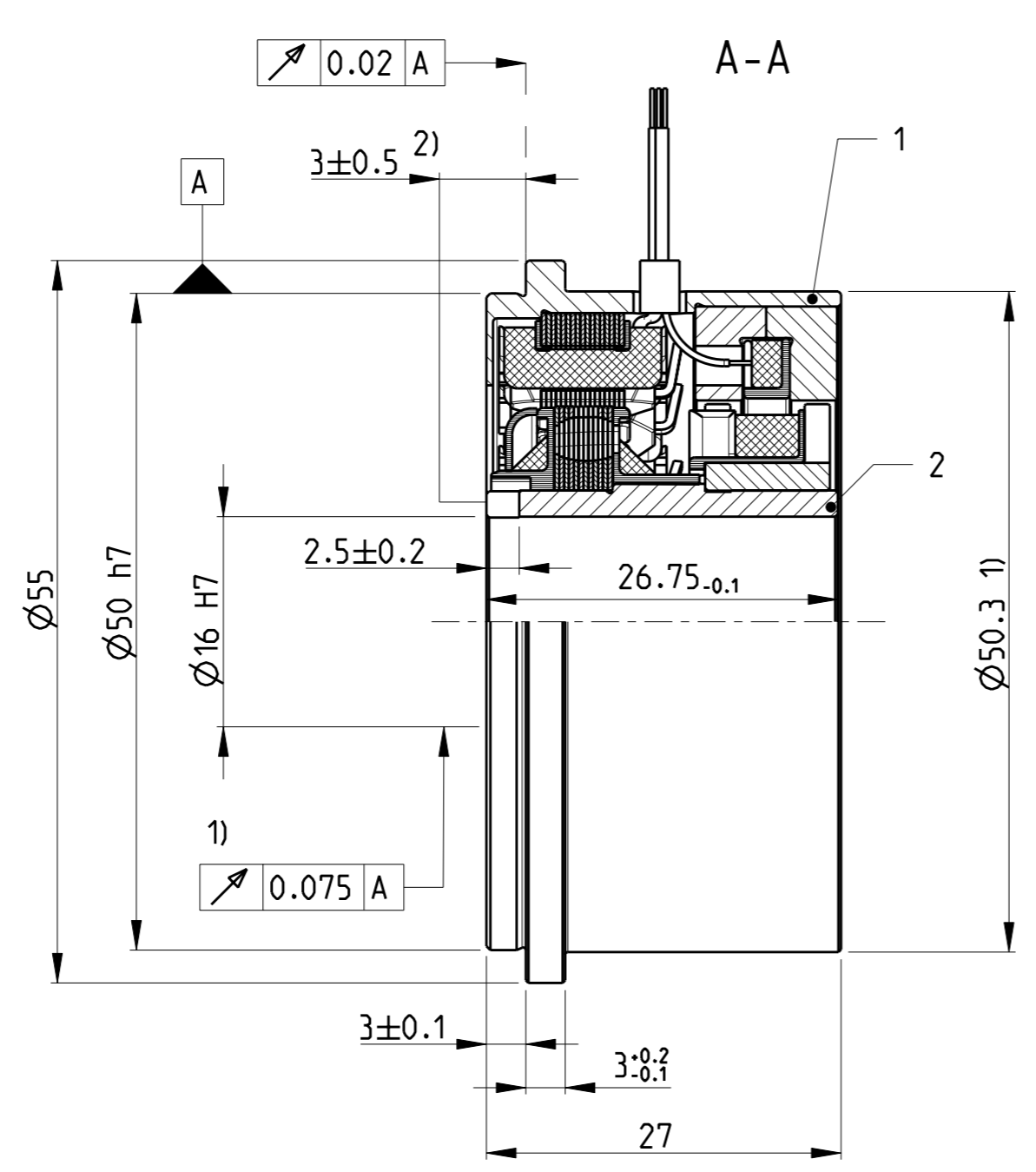
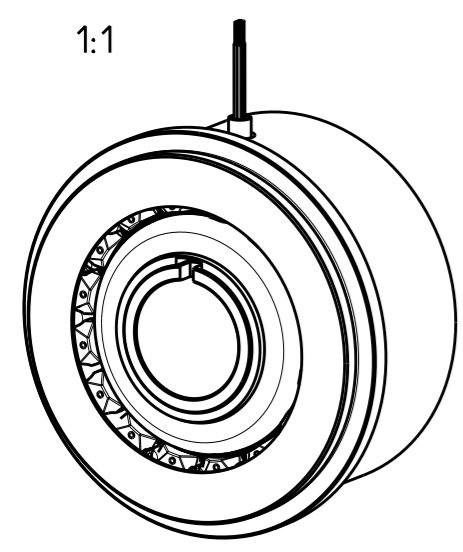


THIS DRAWING IS UNPUBLISHED. RELEASED FOR PUBLICATION 2005
 © COPYRIGHT 2005 BY TYCO ELECTRONICS CORPORATION. ALL RIGHTS RESERVED.

LOC	DIST	REVISIONS			
P	LTR	DESCRIPTION	DATE	DWN	APVD
A1	-	New Drawing	25AUG2005	Kr	An
A2	-	ECR-06-017801	24 JUL 2006	Kr	An
C1	-	ECR-09-018278	20OCT2009	Ma	An

Signal	Aderfarbe
S1	rot
S2	gelb
S3	schwarz
S4	blau
R1	rot-weiss
R2	gelb-weiss



- 1) Gesamtschlag im eingebauten Zustand
- 2) Axialversatz

ITEM NO	PARTNUMBER	DESCRIPTION	ITEM NO
1	1-1824360-0	Rotor kpl. / Bauform B2 (21N)	2
1	1-1824206-0	Gehäuse kpl. / Bauform T2	1
1-1824407-0	PARTNUMBER	DESCRIPTION	ITEM NO
REVISION OF EACH ASSY NO. (WHEN BLANK, USE DWG. REVISION)			
PARTS LIST			

THIS DRAWING IS A CONTROLLED DOCUMENT FOR TYCO ELECTRONICS CORPORATION. IT IS SUBJECT TO CHANGE AND THE CONTROLLING ENGINEERING ORGANIZATION SHOULD BE CONTACTED FOR THE LATEST REVISION.		DWN Kraus 03MAY2005	tyco Electronics tyco Electronics AMP GmbH D - 67346 Speyer	
DIMENSIONS: mm		CHK -	NAME Massbild Hohlwellendrehmelder Dimensional Drawing Resolver V23401-T2014-B209	
TOLERANCES UNLESS OTHERWISE SPECIFIED: 0 PLC ± 1 PLC ± 2 PLC ± 3 PLC ± 4 PLC ± ANGLES ±		APVD Andrae 24 JUL 2006	SIZE A3	
MATERIAL -		PRODUCT SPEC -	CAGE CODE 00779	DRAWING NO C-4-1393048-6
FINISH -		APPLICATION SPEC -	RESTRICTED TO -	SCALE 2:1
CUSTOMER DRAWING		WEIGHT -	SHEET 1 OF 1	
		REV C1		

单击下面可查看定价，库存，交付和生命周期等信息

[>>TE Connectivity\(泰科\)](#)