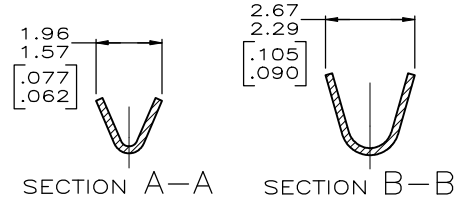
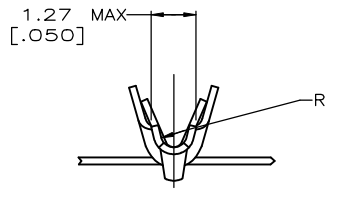
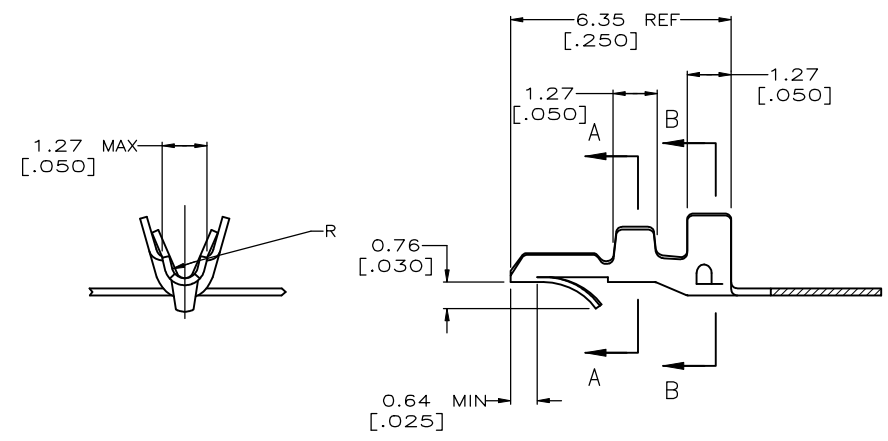
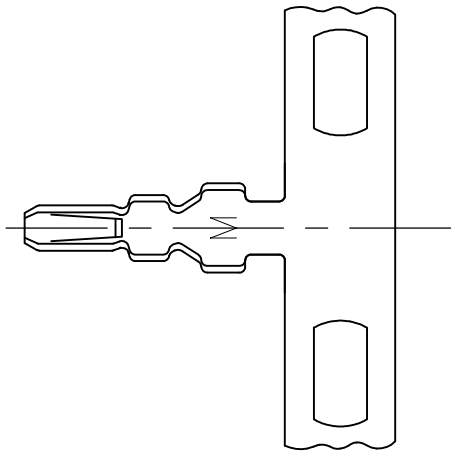
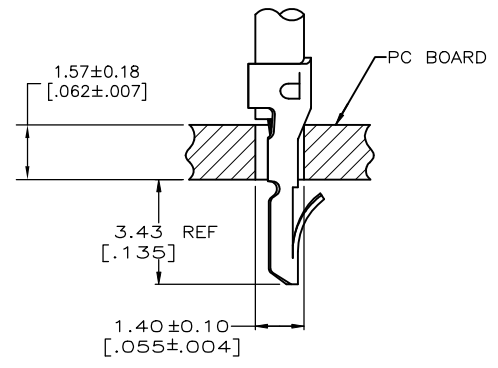


THIS DRAWING IS UNPUBLISHED. RELEASED FOR PUBLICATION
 © COPYRIGHT - By - ALL RIGHTS RESERVED.

REVISIONS				
REV	LTR	DESCRIPTION	DATE	BY
J2		REVISED PER ECO-17-013369	14MAR2018	J.Z D.Z

- PARTS COMPLY WITH AMP SOLDERABILITY SPEC 109-11-3.
- PARTS CAPABLE OF BEING APPLIED BY AMPOMATER.
- 0.00508 [.000200] MIN BRIGHT TIN-LEAD.
- WIRE RANGE: 0.12 - 0.4 mm² (26 - 22 AWG).
- INSULATION RANGE: 1.02 - 1.78 [.040 - .070] DIA.
- DIMENSIONS IN BRACKETS ARE IN INCHES.
- 0.00508 [.000200] MIN BRIGHT TIN.



METRIC

	Δ	0.20[.008] PH BRZ	3-640663-1
OBSOLETE	Δ	0.20[.008] PH BRZ	640663-1
	FINISH	MATERIAL	PART NO

THIS DRAWING IS A CONTROLLED DOCUMENT.		DWN: S. CARPENTER 21AUG2003	TE TE Connectivity Ltd.	
DIMENSIONS: INCHES		CHK: J. ELLIS 21AUG2003		
TOLERANCES UNLESS OTHERWISE SPECIFIED:		APP'D: J. ELLIS 21AUG2003	NAME: MINI AMP-IN™	
0 PLC ±		PRODUCT SPEC		
1 PLC ±		APPLICATION SPEC		
2 PLC ±		114-1016		
3 PLC ± 0.13 [.005]		WEIGHT 0.000000		
4 PLC ±		SIZE A2 CAGE CODE 00779 DRAWING NO. 640663		
ANGLES ±		CUSTOMER DRAWING		
MATERIAL SEE TABLE		FINISH SEE TABLE		RESTRICTED TO -
		SCALE 10:1		SHEET 1 of 1
				REV J2

A/C BUSINESS GROUP 3323 177-34 RALPH VESTAL

单击下面可查看定价，库存，交付和生命周期等信息

[>>TE Connectivity\(泰科\)](#)