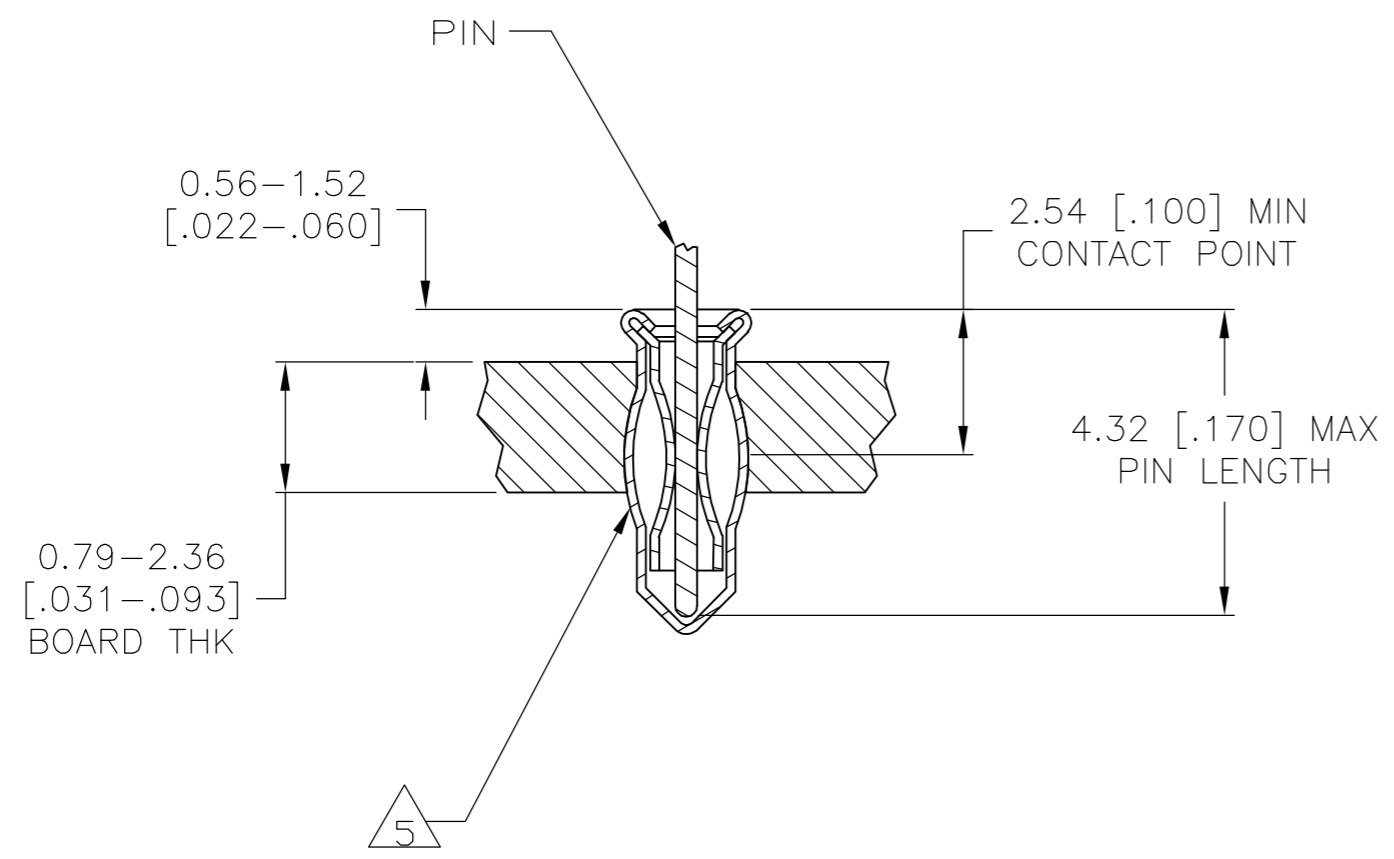
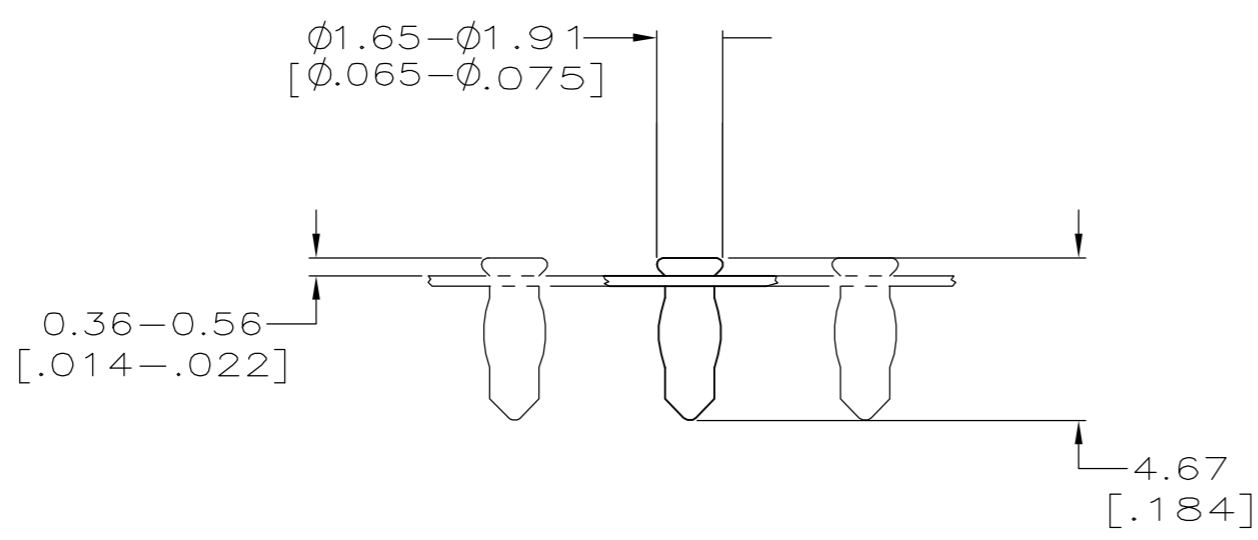
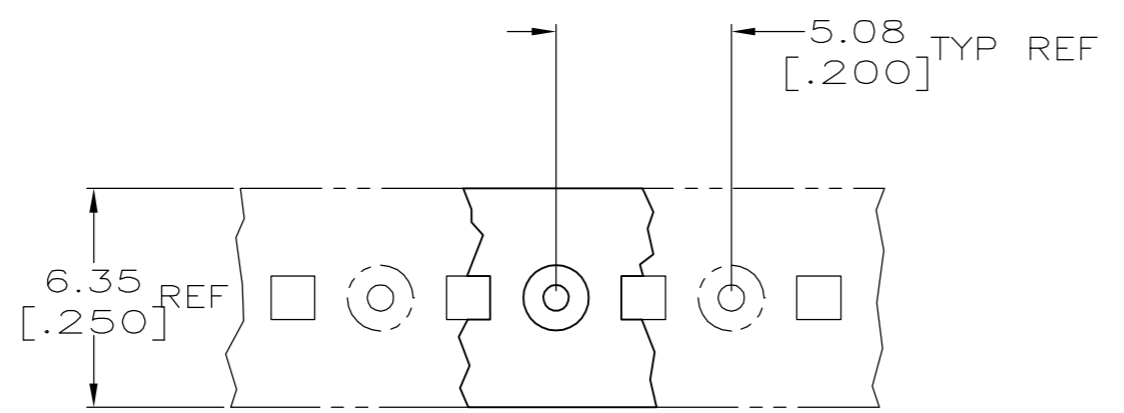


THIS DRAWING IS UNPUBLISHED. RELEASED FOR PUBLICATION
 © COPYRIGHT BY TYCO ELECTRONICS CORPORATION. ALL RIGHTS RESERVED.

LOC	DIST	REVISIONS			
P	LTR	DESCRIPTION	DATE	DWN	APVD
AG	53	0	RELEASED	25JAN06	JDP JGH



- 1 MATERIAL:
EYELET - COPPER PER ASTM B 152
SPRING - BERYLLIUM COPPER PER ASTM B 194
- 2 TIN PLATE PER ASTM B 545, 0.00254 [.000100] MIN THK.
- 3 PACKAGED, 50,000 PER REEL
- 4 TO INSURE 1/2 OZ MIN RETENTION DO NOT EXCEED 0.10 [.004] DIFFERENCE IN PIN DIA WHEN CHANGING TO A SMALLER DIA PIN
- 5 PRODUCT IS OVALIZED FOR RETENTION IN THE P.C. BOARD. THE RECOMMENDED HOLE DIAMETER IS 1.32 [.052] MINIMUM, +0.08 [.003] MAX. PRIOR TO SOLDERING.
- 6 PACKAGED 10,000 PER REEL

2.54-4.32 [.100-.170]	0.36-0.66 [0.014-0.026]	TIN 2	TIN 2	6 1-5645956-1
2.54-4.32 [.100-.170]	0.36-0.66 [0.014-0.026]	TIN 2	TIN 2	3 5645956-1
LENGTH	DIA 4	SPRING	EYELET	PART NO.

THIS DRAWING IS A CONTROLLED DOCUMENT.		DWN J. POLIGNONE 25JAN06	Tyco Electronics Corporation Harrisburg, PA 17105-3608	
DIMENSIONS: mm [INCHES]		CHK J. HAVENER 25JAN06		
TOLERANCES UNLESS OTHERWISE SPECIFIED:		APVD J. HAVENER 25JAN06	NAME	
0 PLC ± -	1 PLC ± -	PRODUCT SPEC	MINIATURE SPRING SOCKET ASSY	
2 PLC ± -	3 PLC ± 0.20[.008]	APPLICATION SPEC	SERIES 2 LONG	
4 PLC ± -	ANGLES ± -	114-26004	WITHOUT SEALANT	
MATERIAL 1	FINISH SEE TABLE	WEIGHT -	SIZE A2	CAGE CODE 00779
		CUSTOMER DRAWING	DRAWING NO C=5645956	RESTRICTED TO -
		SCALE 1:1	SHEET 1 of 1	REV 0

5645956

单击下面可查看定价，库存，交付和生命周期等信息

[>>TE Connectivity\(泰科\)](#)