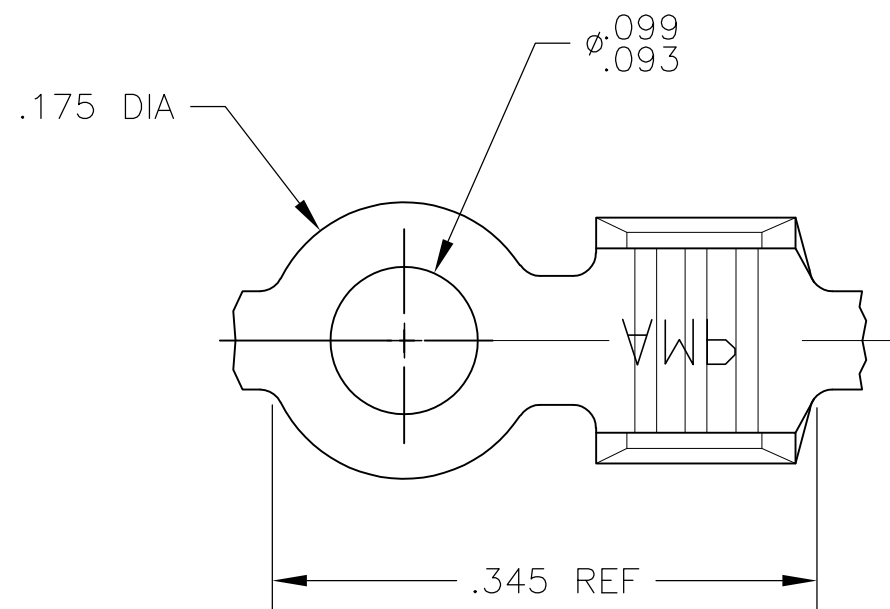
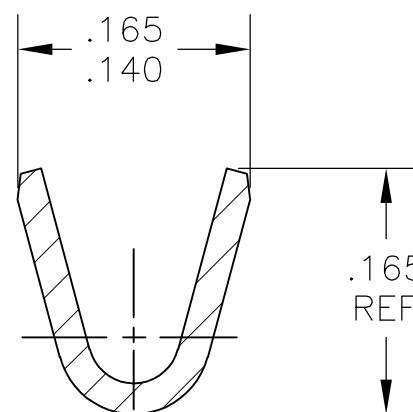
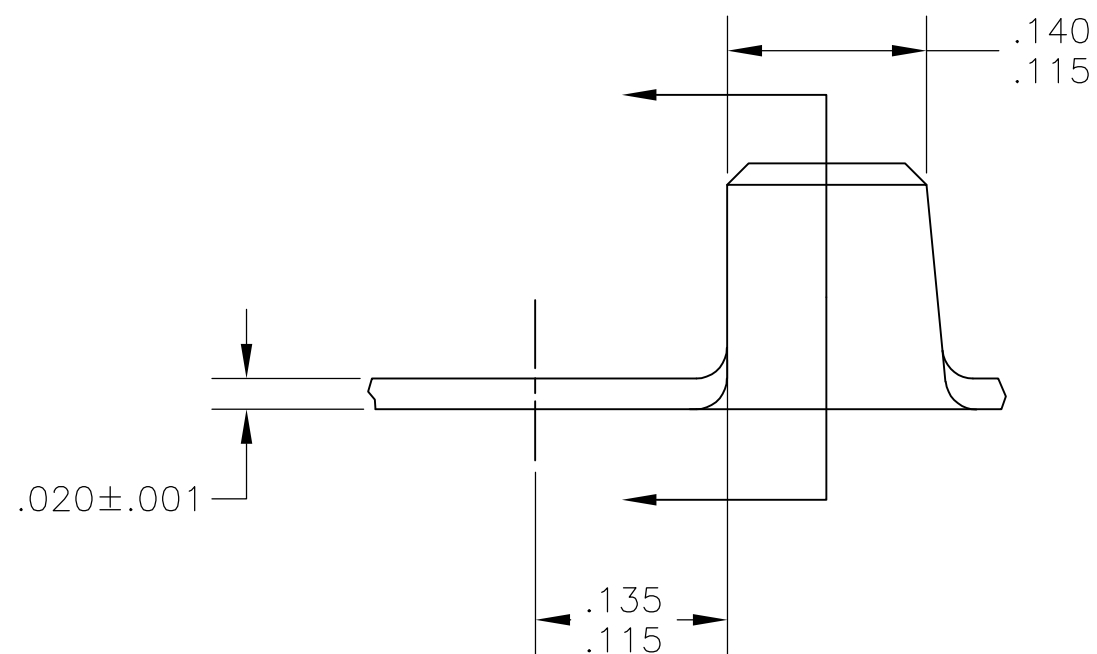


THIS DRAWING IS UNPUBLISHED. RELEASED FOR PUBLICATION
 © COPYRIGHT BY TYCO ELECTRONICS CORPORATION. ALL RIGHTS RESERVED.

LOC	DIST	REVISIONS					
		P	LTR	DESCRIPTION	DATE	DWN	APVD
G	50		L1	REDRAWN PER ECR 08-027116	27OCT08	JR	DD



- 1 CONTINUOUS STRIP ON REELS
- 2 WIRE SIZE IS #18-#14 AWG



41006
PART NO

THIS DRAWING IS A CONTROLLED DOCUMENT.		DWN jr_ruth	27OCT08	Tyco Electronics Corporation Harrisburg, PA 17105-3608	
DIMENSIONS: INCHES		CHK D DECKER	27OCT08		
		APVD D DECKER	27OCT08	NAME RING	
TOLERANCES UNLESS OTHERWISE SPECIFIED:		PRODUCT SPEC		-	
0 PLC ± - 1 PLC ± - 2 PLC ± - 3 PLC ± .010 4 PLC ± - ANGLES ± 5°		APPLICATION SPEC		-	
MATERIAL 082 BRASS		FINISH NONE		SIZE A3	CAGE CODE 00779
CUSTOMER DRAWING				DRAWING NO G-41006	RESTRICTED TO -
				SCALE 8:1	SHEET 1 OF 1
				REV L1	

单击下面可查看定价，库存，交付和生命周期等信息

[>>TE Connectivity\(泰科\)](#)