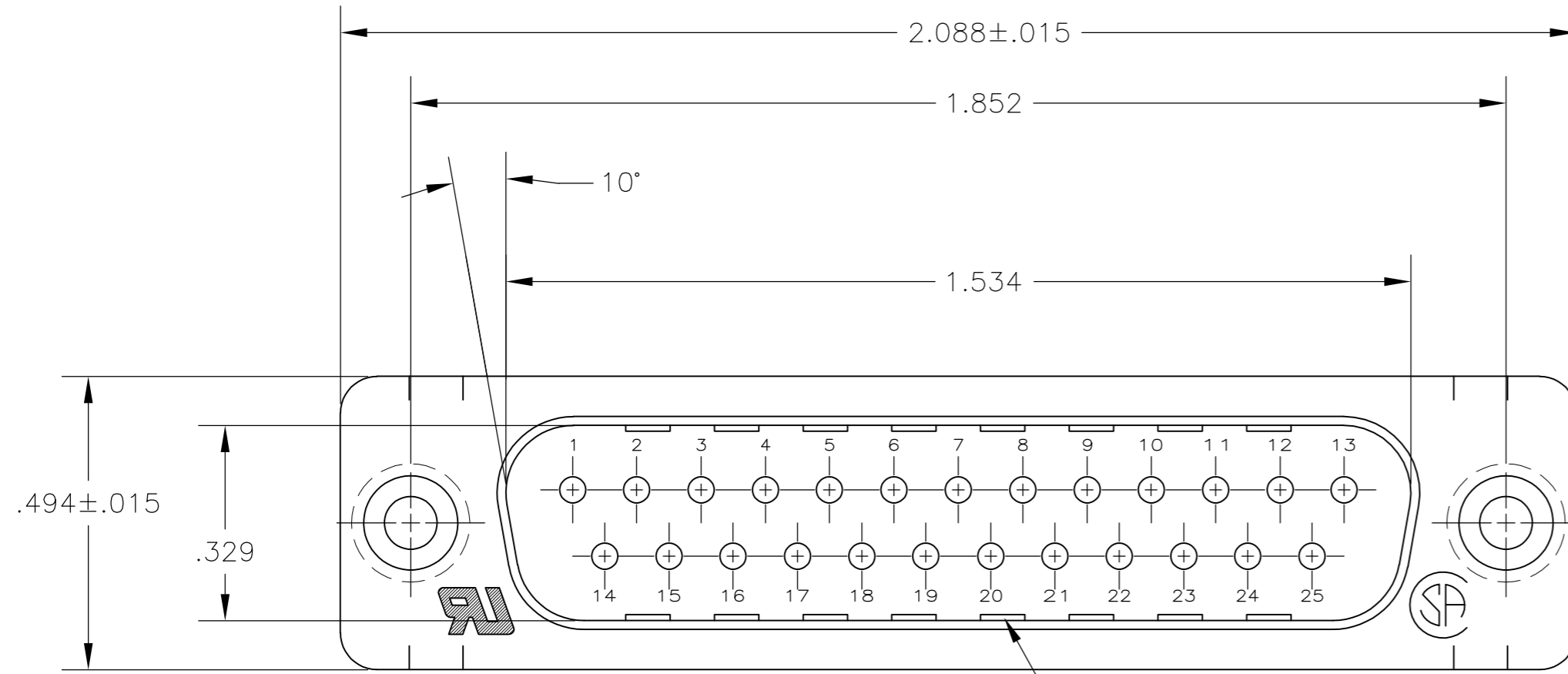
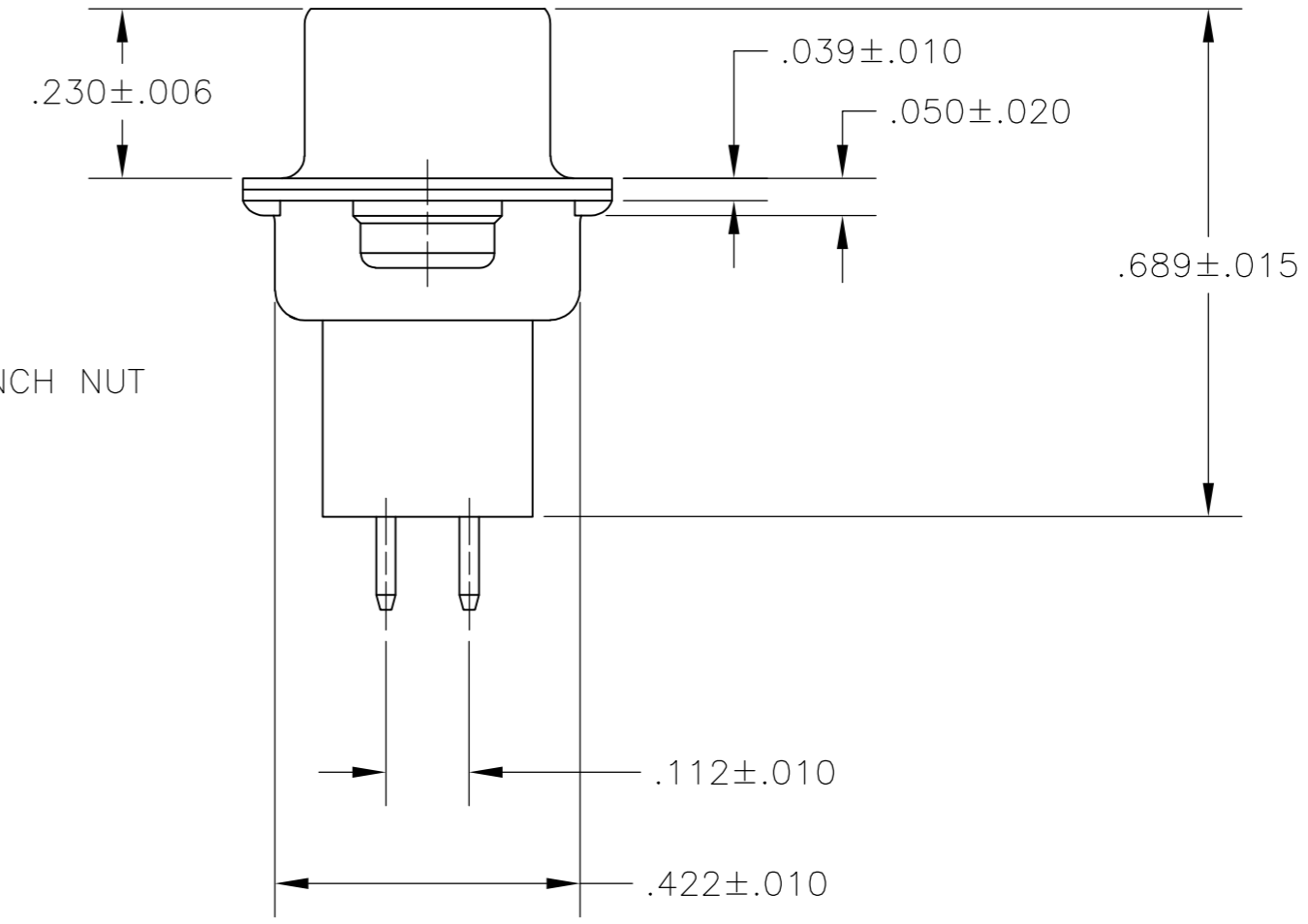
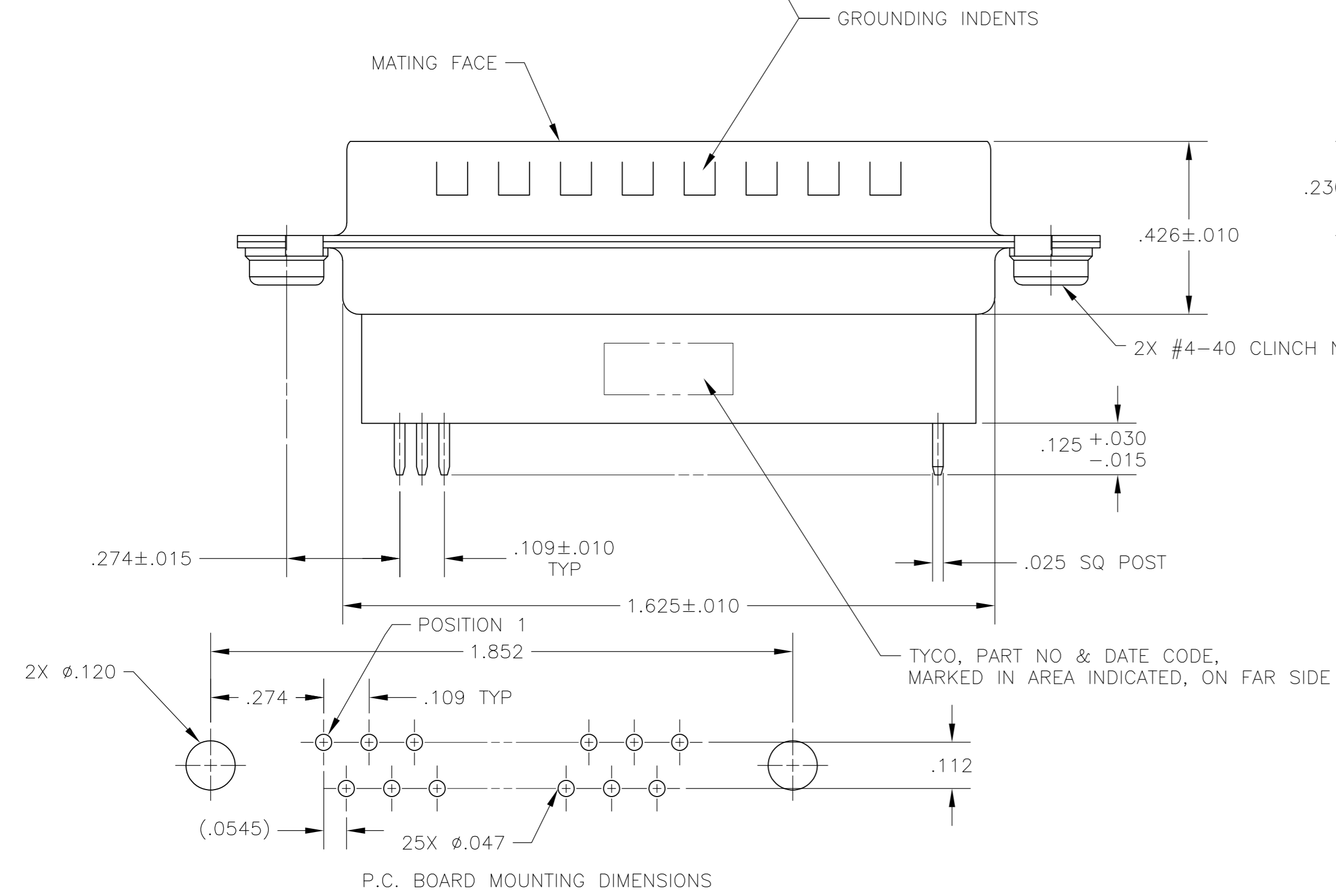


THIS DRAWING IS UNPUBLISHED. RELEASED FOR PUBLICATION
 © COPYRIGHT 2005 By - ALL RIGHTS RESERVED.

LOC		DIST		REVISIONS			
P	LTR	DESCRIPTION	DATE	DWN	APVD		
GP	00						
	D	REVISED PER ECO-14-011808	12AUG2014	AP	SB		



- 1 MOLDED PARTS: GLASS-FILLED PBT OR GLASS-FILLED NYLON, UL94V-0 RATED. COLOR: BLACK.
- SHELLS: CARBON STEEL.
- CONTACTS: BRASS.
- CLINCH NUTS: BRASS.
- 2 SHELLS: .000200 MIN TIN OVER .000100 MIN COPPER.
- CLINCH NUTS: .000200 MIN ZINC WITH CLEAR CHROMATE COATING.
- CONTACTS: GOLD PLATED FOR A LENGTH OF .150 MIN FROM MATING END, .000030 MIN GOLD IN MATED AREA, .000100 MIN TIN ON OPPOSITE END, BOTH OVER .000050 MIN NICKEL.
- OR-
- GOLD FLASH OVER PALLADIUM-NICKEL PLATED FOR A LENGTH OF .150 MIN FROM MATING END, .000030 MIN TOTAL IN MATED AREA, .000100 MIN TIN ON OPPOSITE END, BOTH OVER .000050 MIN NICKEL.



5745959

5745959-1
PART NO

THIS DRAWING IS A CONTROLLED DOCUMENT.		DWN	B. LATTUCA	19SEPT05	 TE Connectivity	PLUG ASSEMBLY, SIZE 3, 25 POSN, VERTICAL, .025 SQ. POSTS, CLINCH NUTS, AMPLIMITE HDP		
DIMENSIONS: INCHES		CHK	S. BOLASH	19SEPT05		NAME		
TOLERANCES UNLESS OTHERWISE SPECIFIED:		APVD	M. WALMSLEY	19SEPT05		PRODUCT SPEC	108-40025	
0 PLC ± - 1 PLC ± - 2 PLC ± - 3 PLC ± .005 4 PLC ± - ANGLES ± - FINISH		APPLICATION SPEC		114-40013		SIZE	A2	
MATERIAL	1	WEIGHT		-	CAGE CODE	00779	DRAWING NO	
CUSTOMER DRAWING		SCALE		NTS	SHEET		1 of 1	
		REV		D				

单击下面可查看定价，库存，交付和生命周期等信息

[>>TE Connectivity\(泰科\)](#)