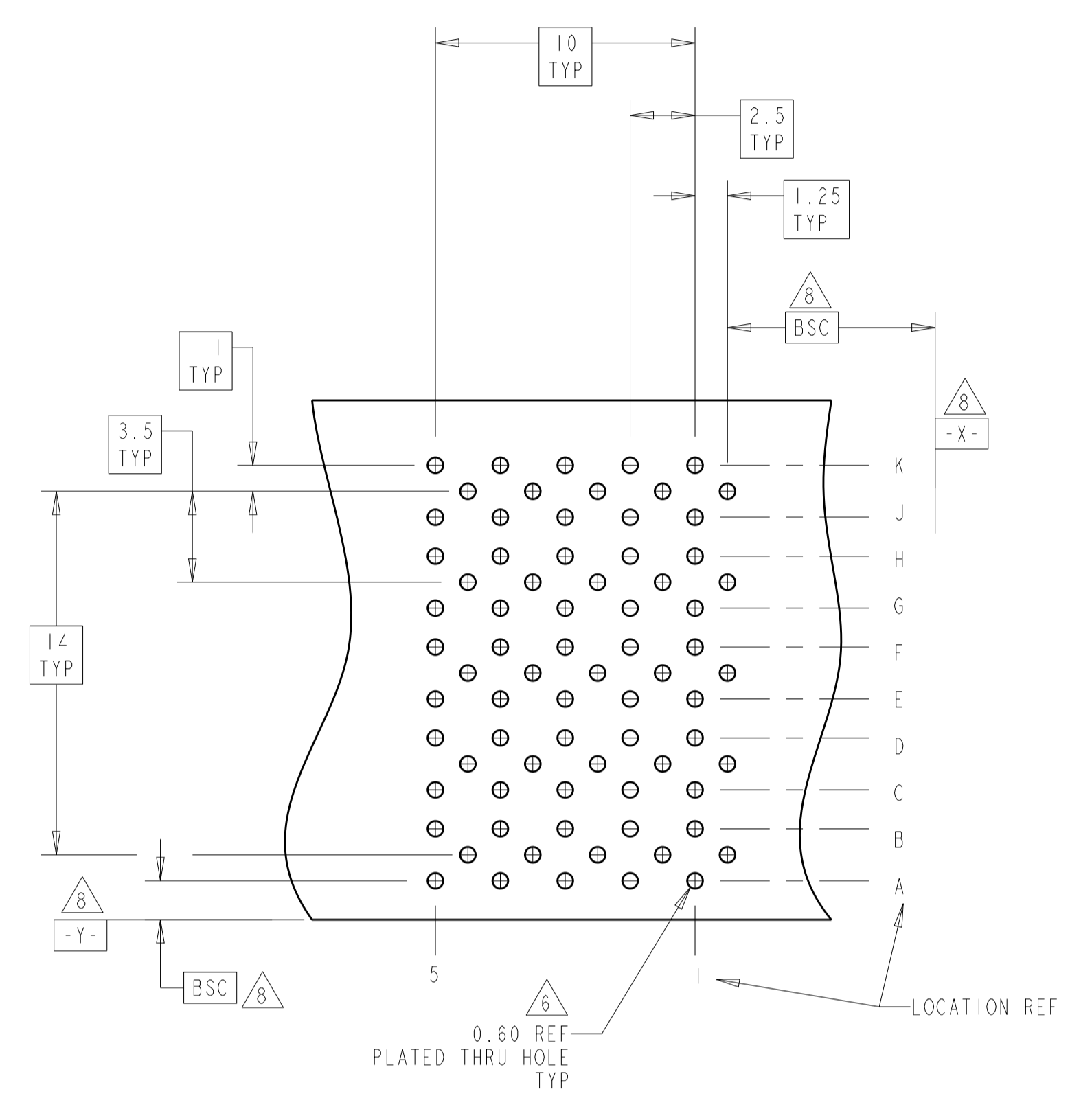
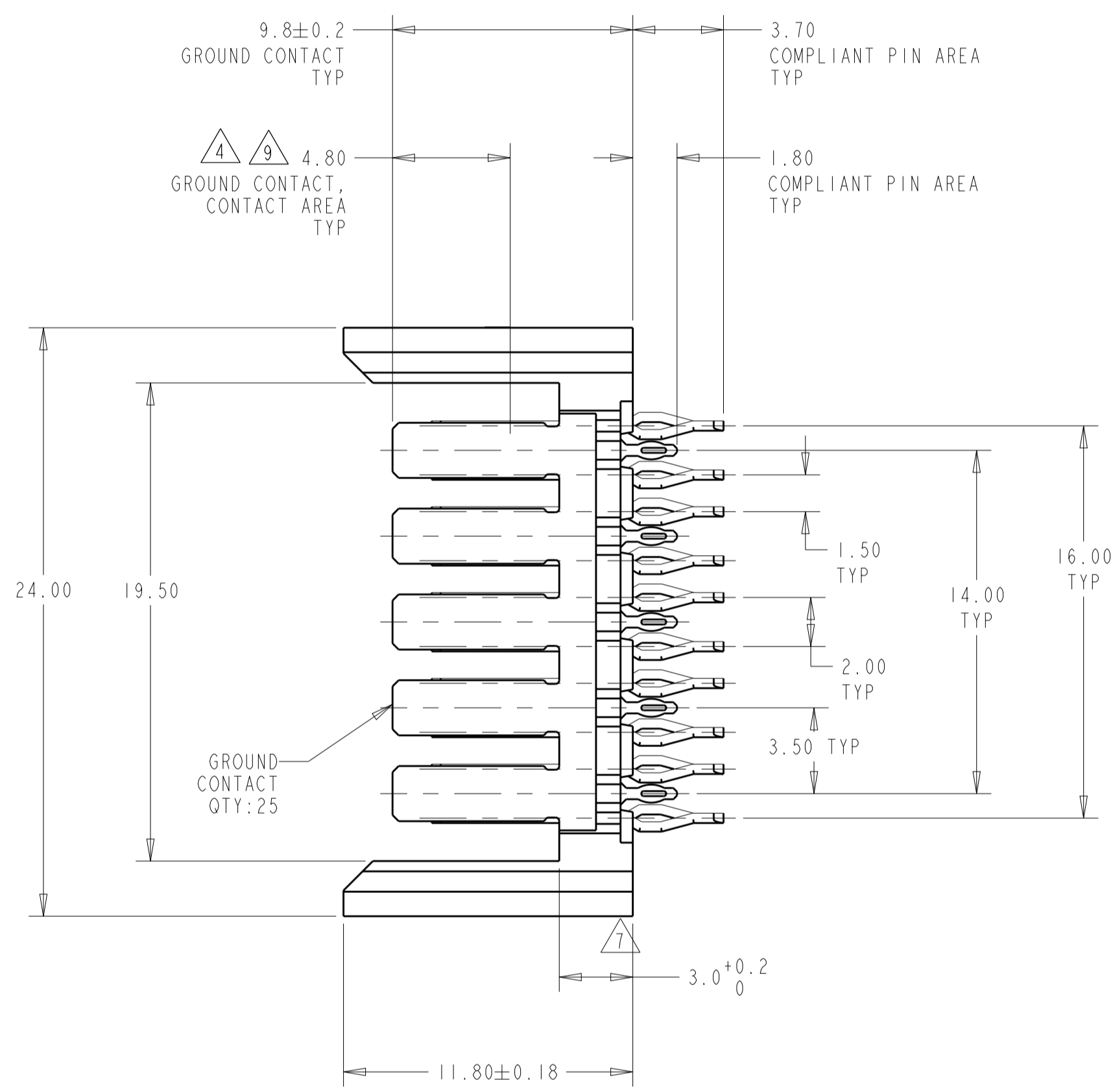
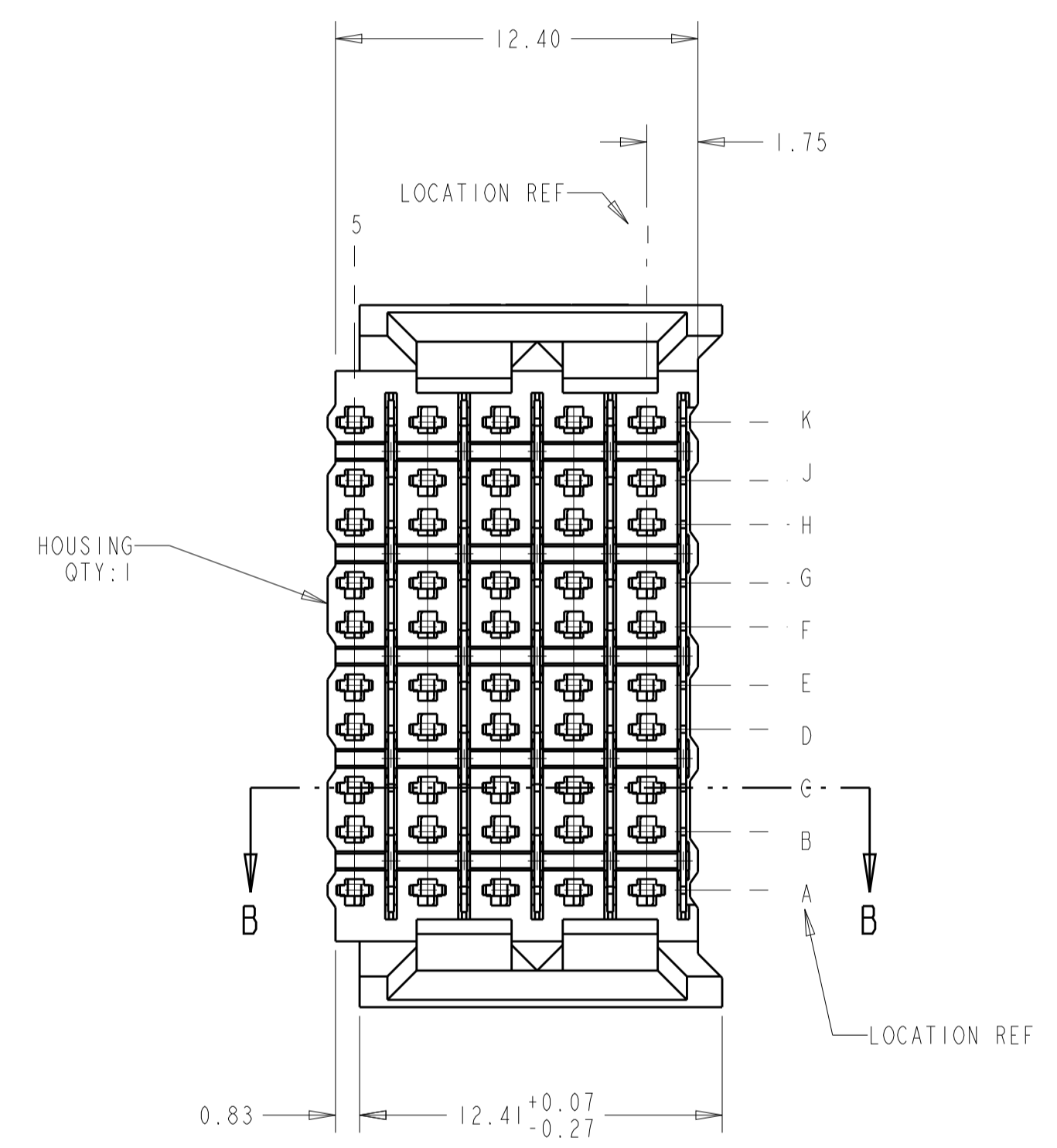
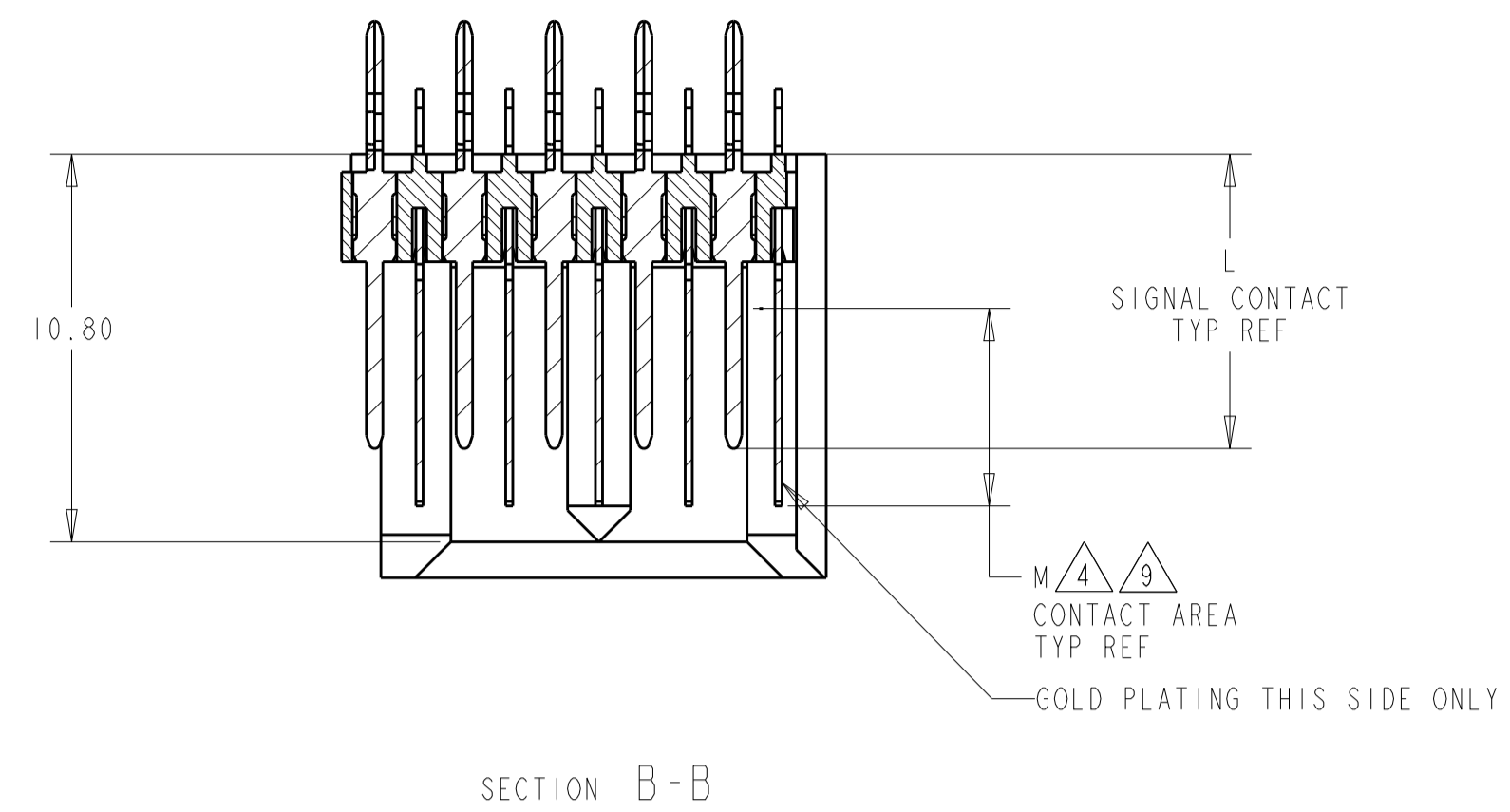
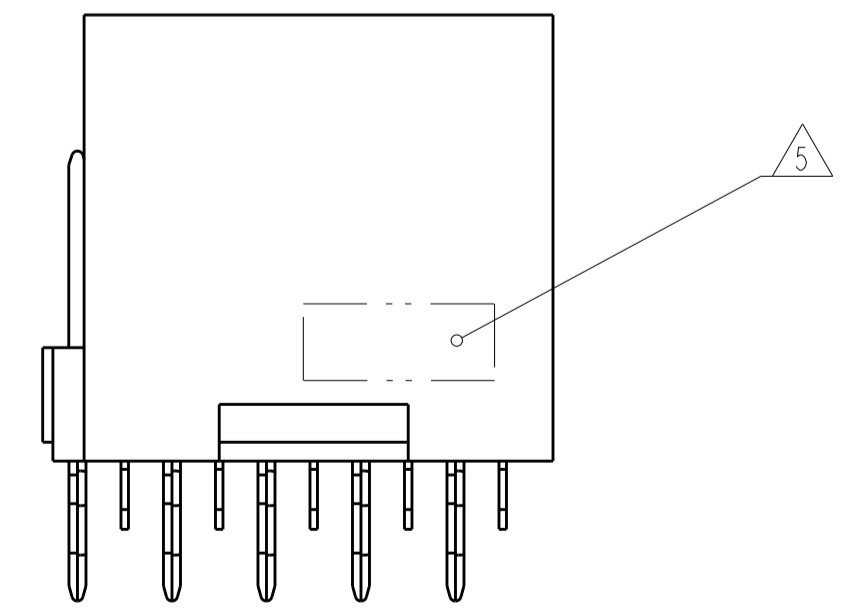


| LOC | DIST | REV | DATE | BY | CHK | APP'D |
|-----|------|-----|-----------|----|-----|-------|
| AD | 00 | B | 23AUG2012 | KH | JE | |

- 2 PHOSPHOR BRONZE
- 3 LCP, UL94V-0
- 4 FINISH:
CONTACT MATING AREA MEETS THE PERFORMANCE REQUIREMENTS OF
TE CONNECTIVITY PRODUCT SPECIFICATION 108-1957; BASED ON
TELCORDIA GR-1217-CORE; APPLICATIONS IN UNCONTROLLED ENVIRONMENTS.
COMPLIANT PIN AREA: 0.5µm MIN MATTE TIN OVER BASE PLATING.
- 5 CONNECTOR MARKED WITH PART NUMBER AND DATE CODE
- 6 REFERENCE APPLICATION SPEC 114-13020 FOR RECOMMENDED
PLATED THRU HOLE DIAMETER AND PLATING THICKNESS.
- 7 APPLICATION SEATING HEIGHT TO PRINTED CIRCUIT BOARD
- 8 DATUMS AND BASIC DIMENSIONS ESTABLISHED BY CUSTOMER
- 9 CONTACT AREA LUBRICATED WITH BELLCORE APPROVED LUBRICANT
TECHNICAL REFERENCE: GR-1217-CORE, ISSUE 1, NOVEMBER 1995



RECOMMENDED
PRINTED CIRCUIT BOARD
LAYOUT
COMPONENT SIDE OF PRINTED CIRCUIT BOARD



| | | |
|------|-----|-------------|
| 5.50 | 9.7 | 5120747-2 |
| 5.50 | 8.2 | 5120747-1 |
| M | L | PART NUMBER |

| | | | |
|---|--|-----------------------------|---|
| THIS DRAWING IS A CONTROLLED DOCUMENT. | | OWN: B. CARBO 07DEC04 | TE Connectivity |
| DIMENSIONS: mm | | CHK: R. PATTERSON 07DEC04 | |
| TOLERANCES UNLESS OTHERWISE SPECIFIED: 0 PLC ± 1 PLC ± 2 PLC ±0.13 3 PLC ±0.05 4 PLC ± ANGLES ± FINISH ± | | APP'D: R. PATTERSON 07DEC04 | NAME: HEADER ASSEMBLY, 50 POSITION, 10 ROW, BACKPLANE CONNECTOR, Z-PACK HS3 |
| MATERIAL: HOUSING: 3 | | PRODUCT SPEC: | SIZE: A1 |
| CONTACTS: 2 | | APPLICATION SPEC: | CAGE CODE: 00779 |
| SIGNAL CONTACT: 4 | | WEIGHT: | DRAWING NO: 5120747 |
| | | CUSTOMER DRAWING | SCALE: 5:1 |
| | | | SHEET 1 OF 1 |
| | | | REV B |

单击下面可查看定价，库存，交付和生命周期等信息

[>>TE Connectivity\(泰科\)](#)