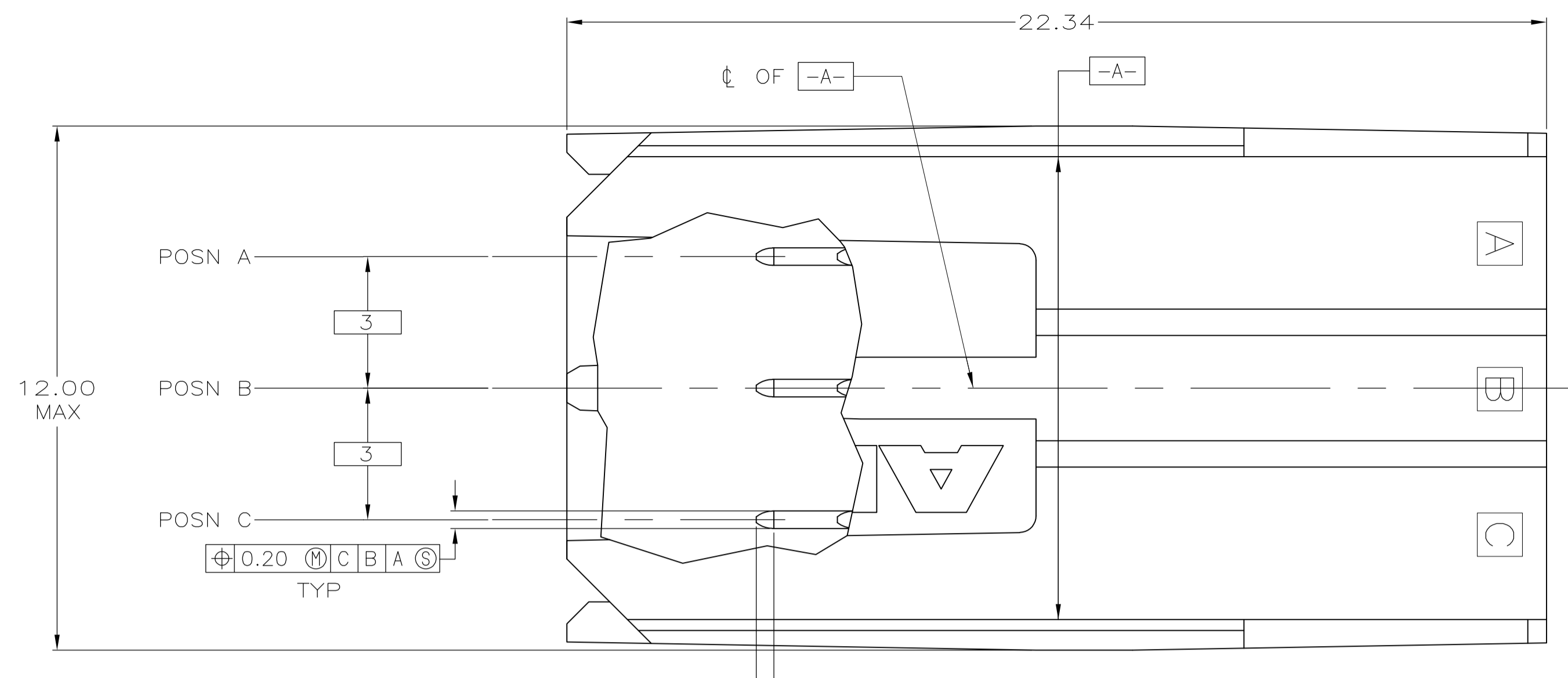
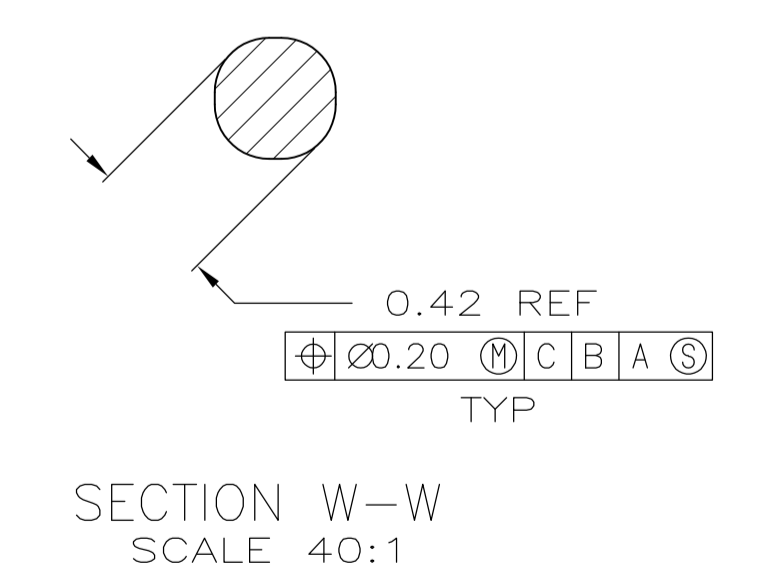
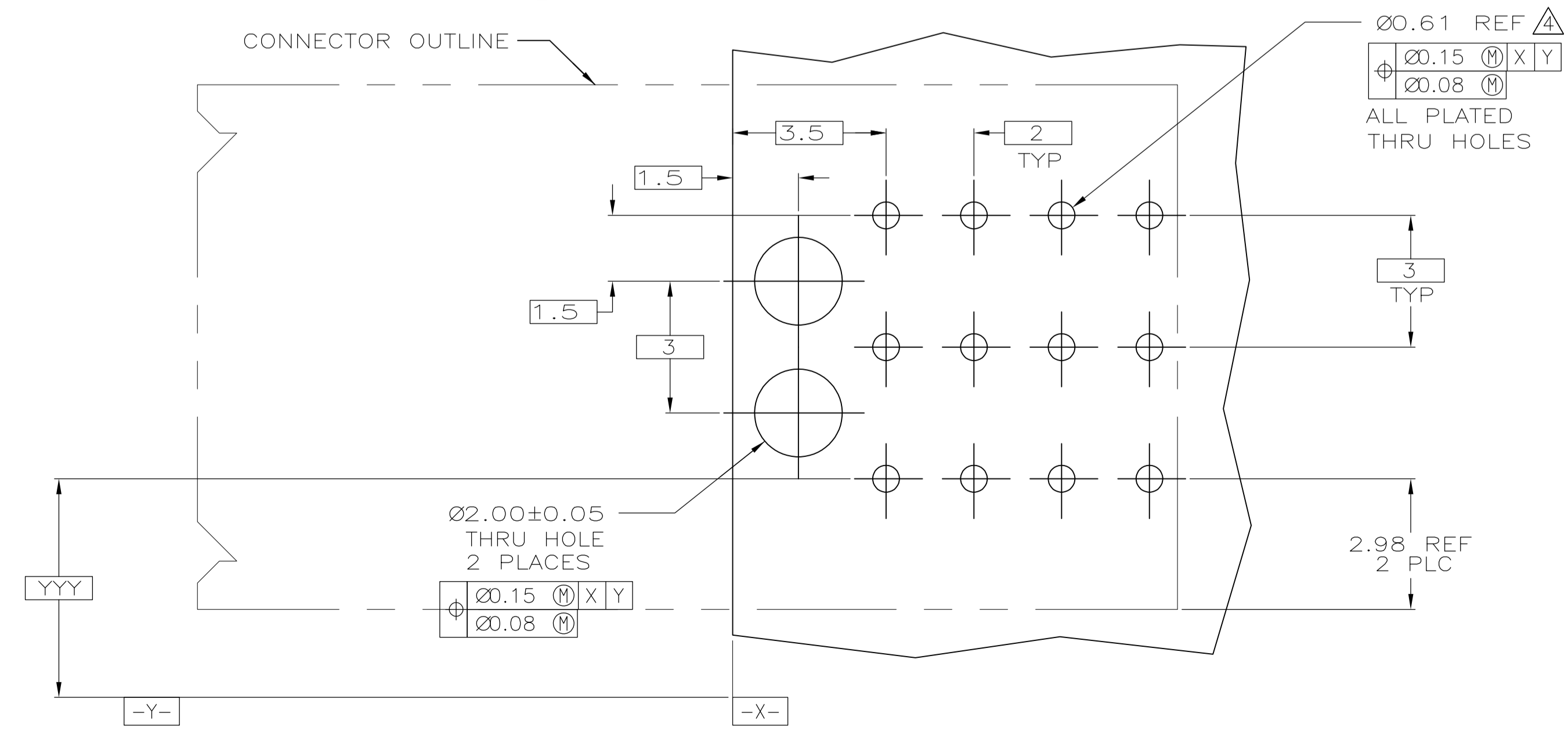
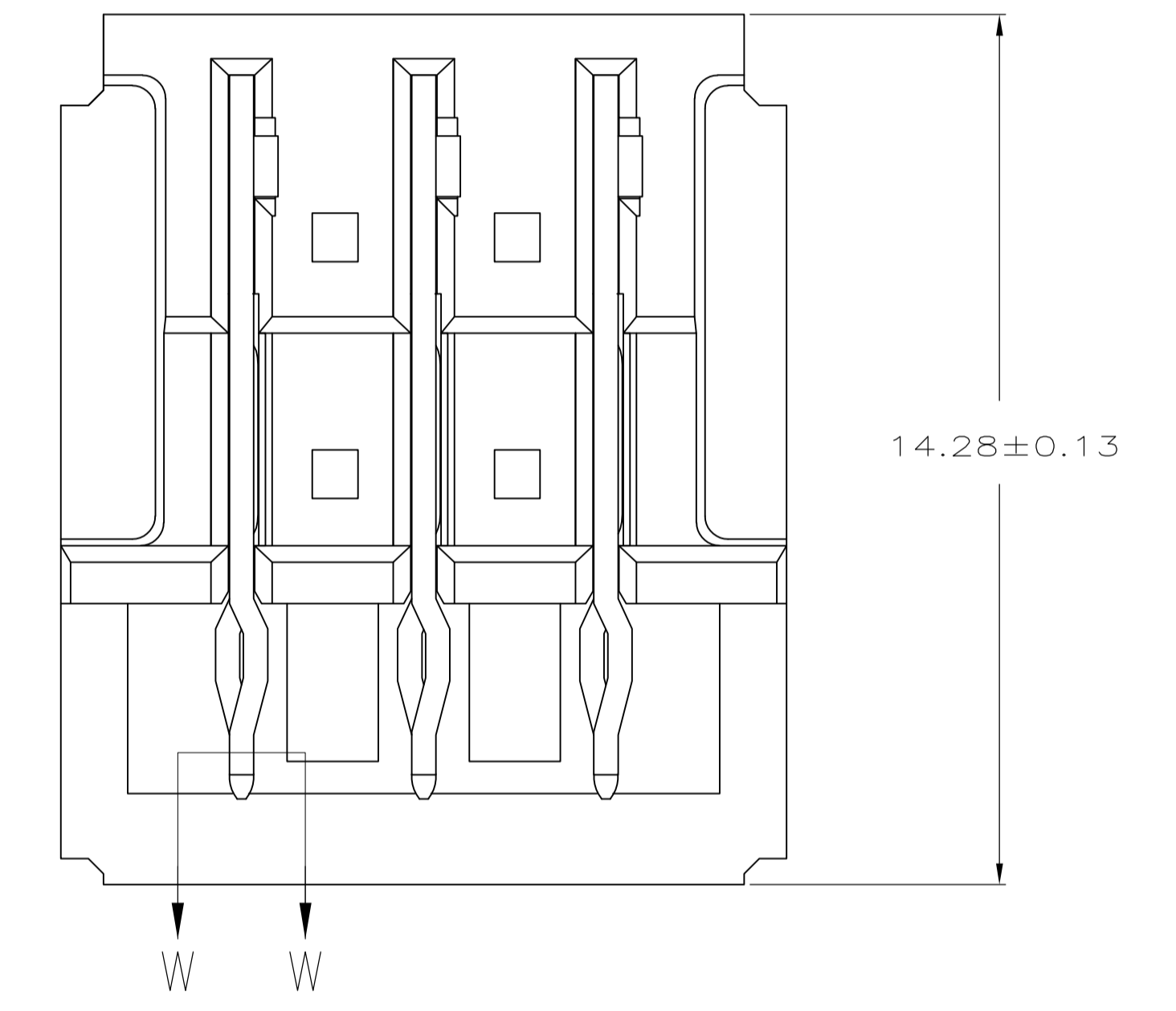
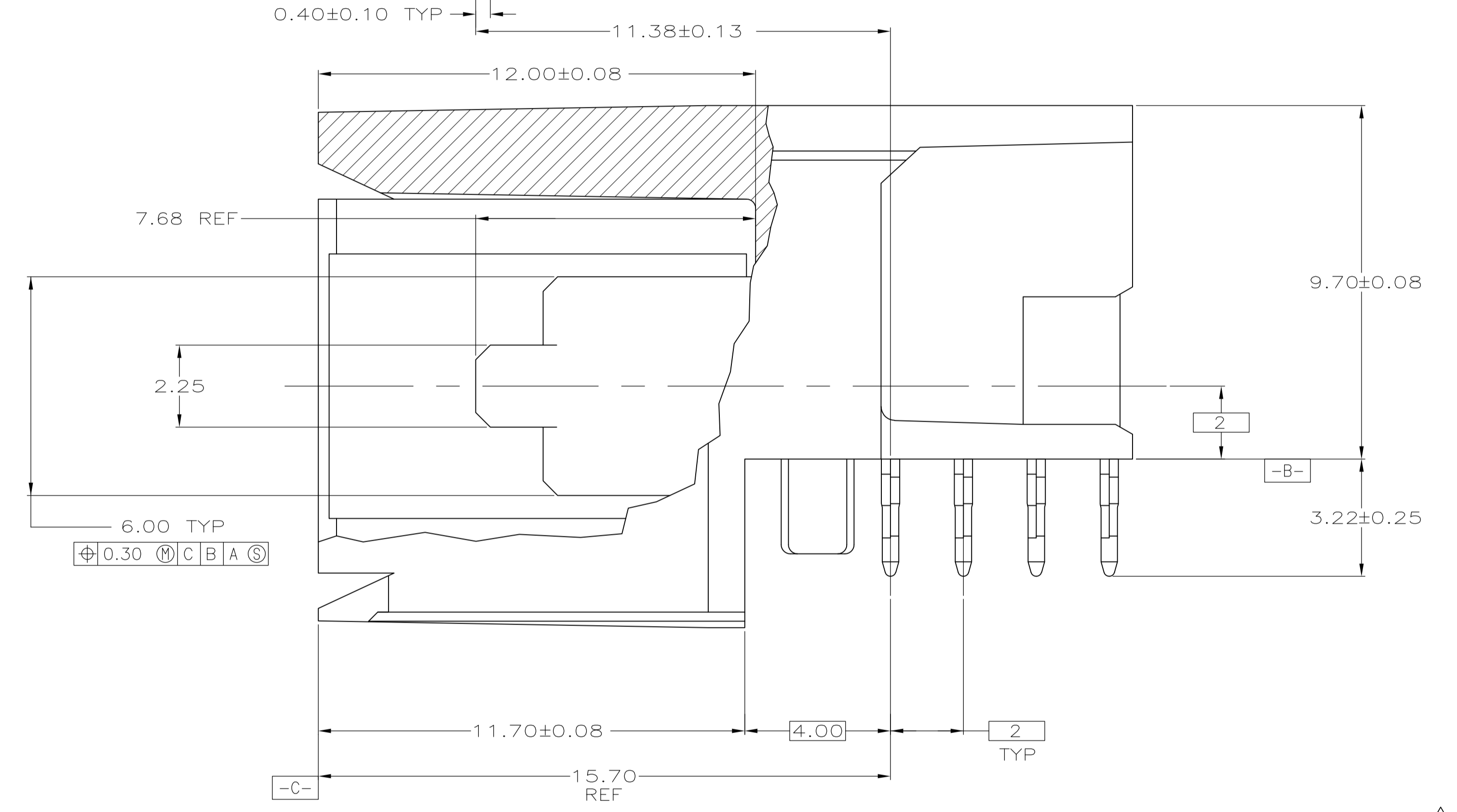
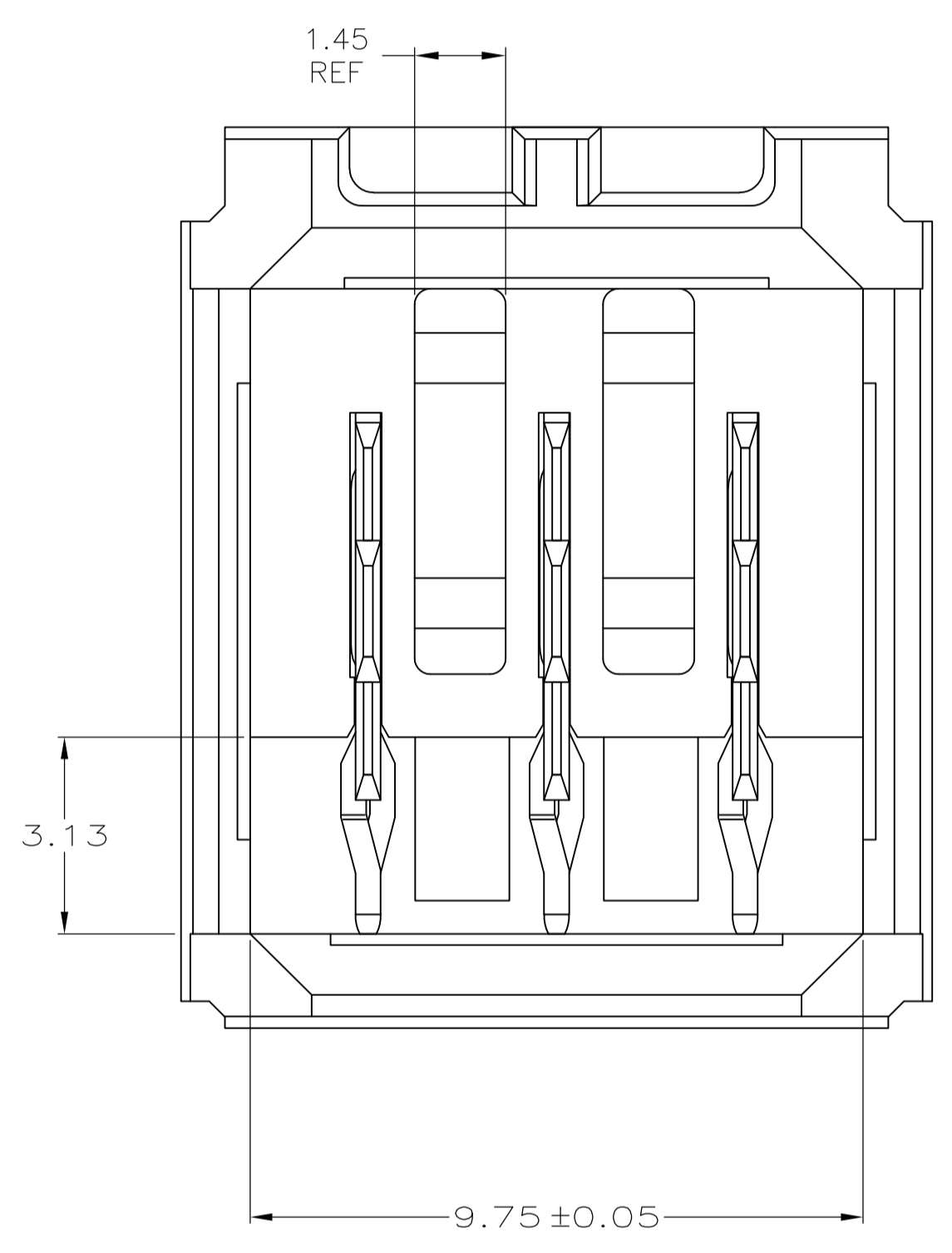


LOC		DIST		REVISIONS			
AD	00	REV	DATE	BY	APPV	DATE	BY
E		REVISED PER ECO-11-000045	04JAN11	DH	DY		



- 1 MATERIAL: HOUSING: POLYESTER. COLOR: GREY. UL 94V-O. CONTACT: PHOSPHOR BRONZE.
- 2 FINISH: CONTACT MATING AREA: 1.27µm MIN GOLD OR 0.08µm MIN GOLD OVER 0.76µm MIN PALLADIUM-NICKEL. ACTION PIN AREA: 0.5µm MIN TIN LEAD PLATE, ALL OVER 1.27µm MIN NICKEL UNDERPLATE.
- 3 FINISH: CONTACT LUBRICATION WITH BELLCORE APPROVED LUBRICANT. TECHNICAL REFERENCE: TR-NWT-001217 ISSUE 1, SEPT 1992.
- 4 REFERENCE APPLICATION SPEC 114-1103 FOR RECOMMENDED PLATED THRU HOLE DIAMETER AND PLATING THICKNESSES.
- 5 CURRENT RATING 10A/CONTACT PER PRODUCT SPEC 108-1651.



223977-1  
PART NUMBER

THIS DRAWING IS A CONTROLLED DOCUMENT.		DIN A-ANDERSON/UTA 08/SEP/98		Tyco Electronics Corporation	
DIMENSIONS: mm		CHK R PATTERSON 08/SEP/98		Tyco Electronics Corporation Harrisburg, PA 17105-3608	
TOLERANCES UNLESS OTHERWISE SPECIFIED:		APPV R PATTERSON 08/SEP/98		NAME ASSEMBLY, RIGHT ANGLE HEADER, W/ RETENTION PEGS, UNIVERSAL POWER MODULE	
0 PLC ± -		PRODUCT SPEC		SIZE CASE CODE DRAWING NO	
1 PLC ± -		APPLICATION SPEC		RESTRICTED TO	
2 PLC ± 0.13		WEIGHT		A1 00779 C=223977	
3 PLC ± -		CUSTOMER DRAWING		SCALE 10:1 SHEET 1 of 1 REV E	
4 PLC ± -					
ANGLES ± -					

单击下面可查看定价，库存，交付和生命周期等信息

[>>TE Connectivity\(泰科\)](#)