

4

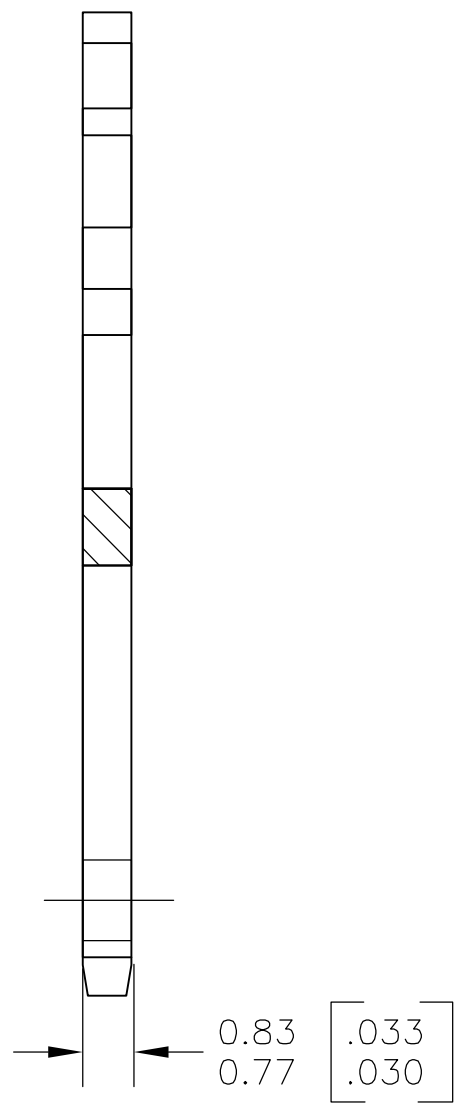
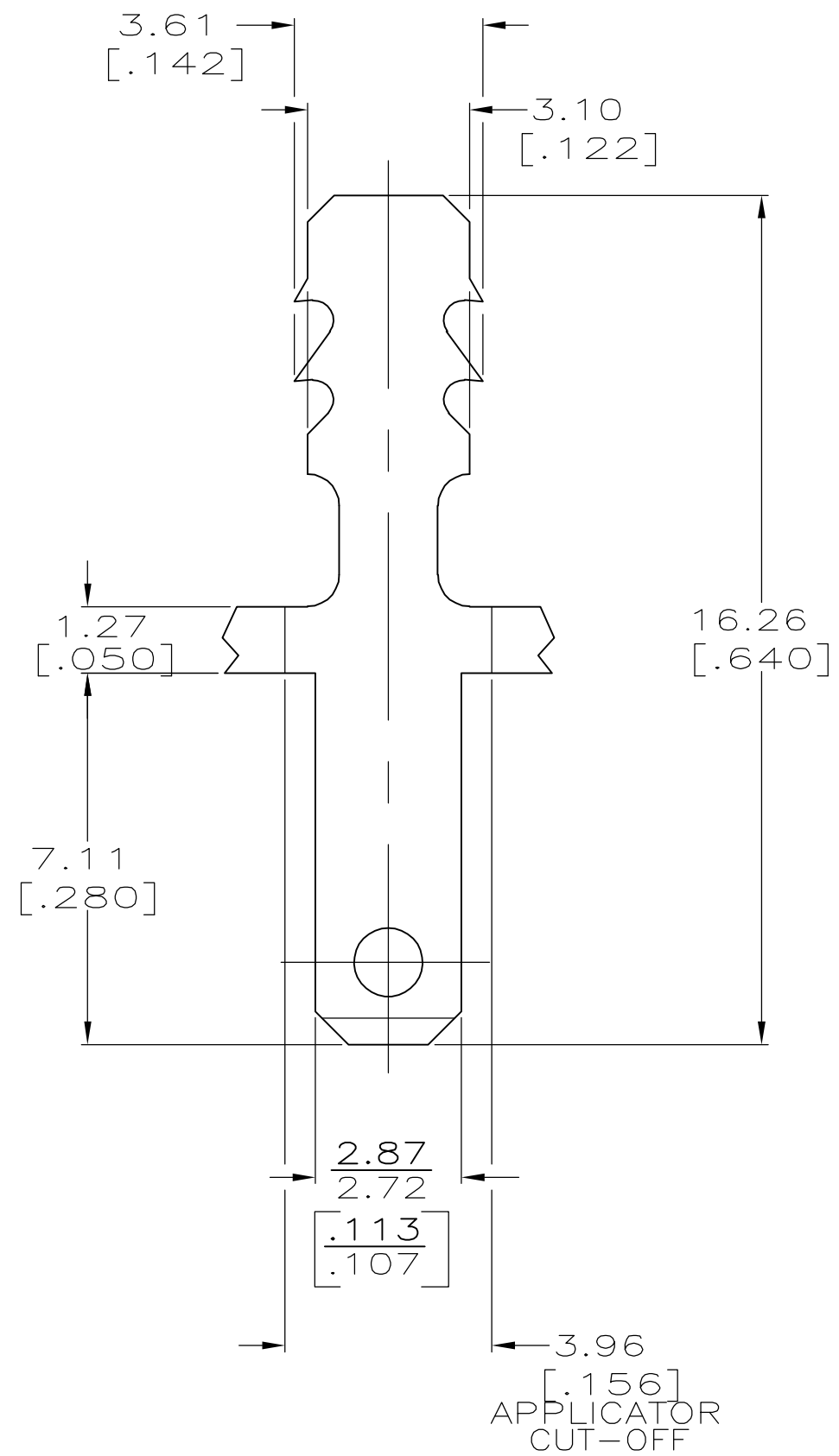
3

2

1

THIS DRAWING IS UNPUBLISHED. RELEASED FOR PUBLICATION
 © COPYRIGHT - BY TYCO ELECTRONICS CORPORATION. ALL RIGHTS RESERVED.

LOC	DIST	REVISIONS					
AF	50	P	LTR	DESCRIPTION	DATE	DWN	APVD
			E	REV PER ECR 05-017561	24MAR06	JR	KR



1 CONTINUOUS STRIP ON REEL.
 2 FINISH:0.00381 [.000150] MIN TIN PL ALL OVER 0.00254 [.000100] MIN COPPER UNDERPLATE.

63589-1
 PART NO.

THIS DRAWING IS A CONTROLLED DOCUMENT.		DWN P FORTNEY 5/5/93	Tyco Electronics Corporation Harrisburg, PA 17105-3608			
DIMENSIONS: INCHES		CHK JR RUTH 5/5/93				
TOLERANCES UNLESS OTHERWISE SPECIFIED:		APVD R WEAVILL 5/5/93	NAME BOBBIN TAB, 2.79 [.110] SERIES			
0 PLC ± - 1 PLC ± - 2 PLC ± 0.25 [.010] 3 PLC ± - 4 PLC ± - ANGLES ± - FINISH		PRODUCT SPEC -	RESTRICTED TO -			
MATERIAL 082 BRASS		APPLICATION SPEC -	SIZE A3	CAGE CODE 00779	DRAWING NO C-63589	
FINISH 2		WEIGHT -	SCALE 8:1		SHEET 1 OF 1	REV E
CUSTOMER DRAWING						

单击下面可查看定价，库存，交付和生命周期等信息

[>>TE Connectivity\(泰科\)](#)