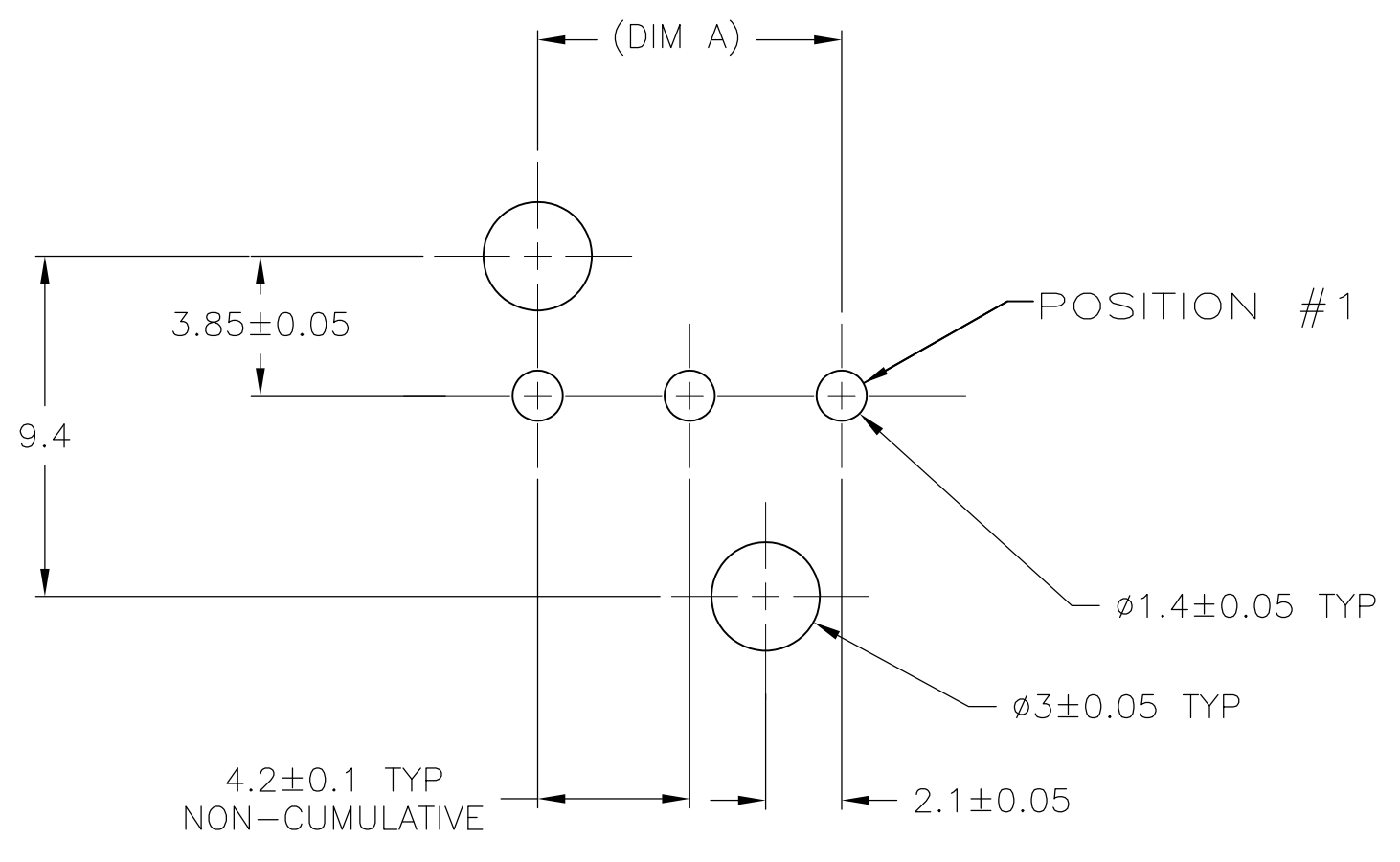
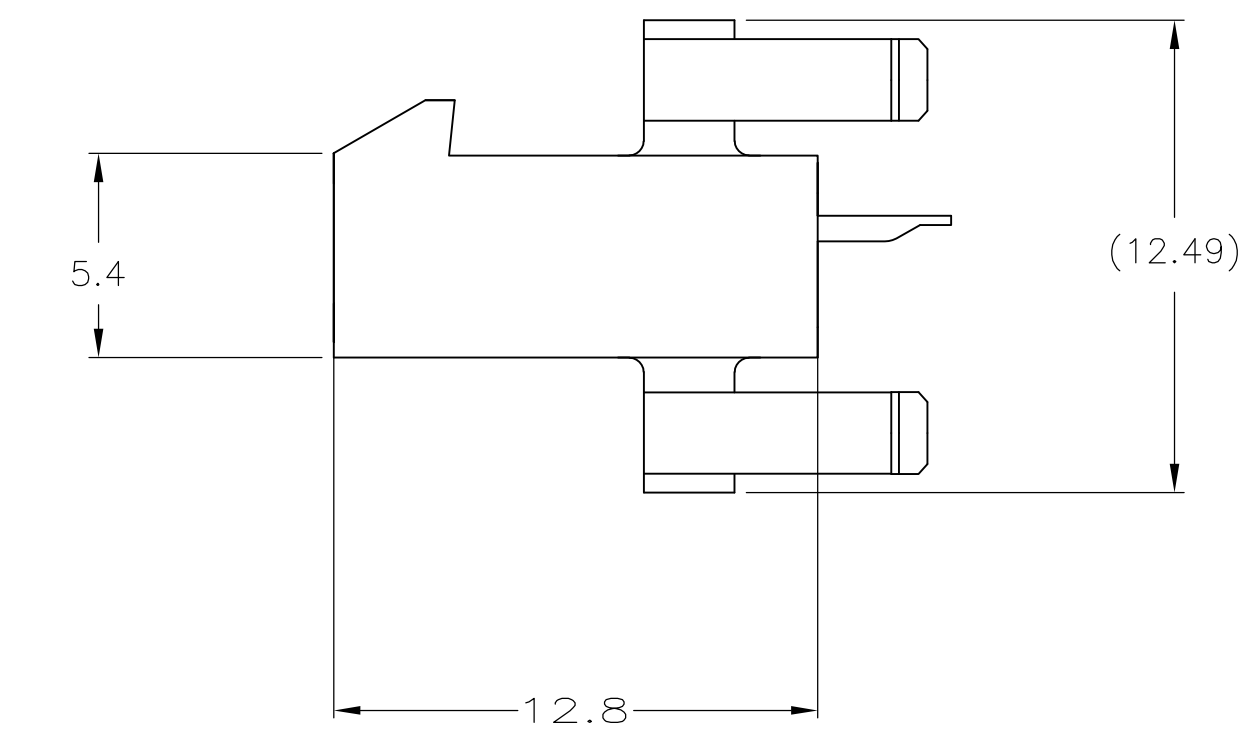
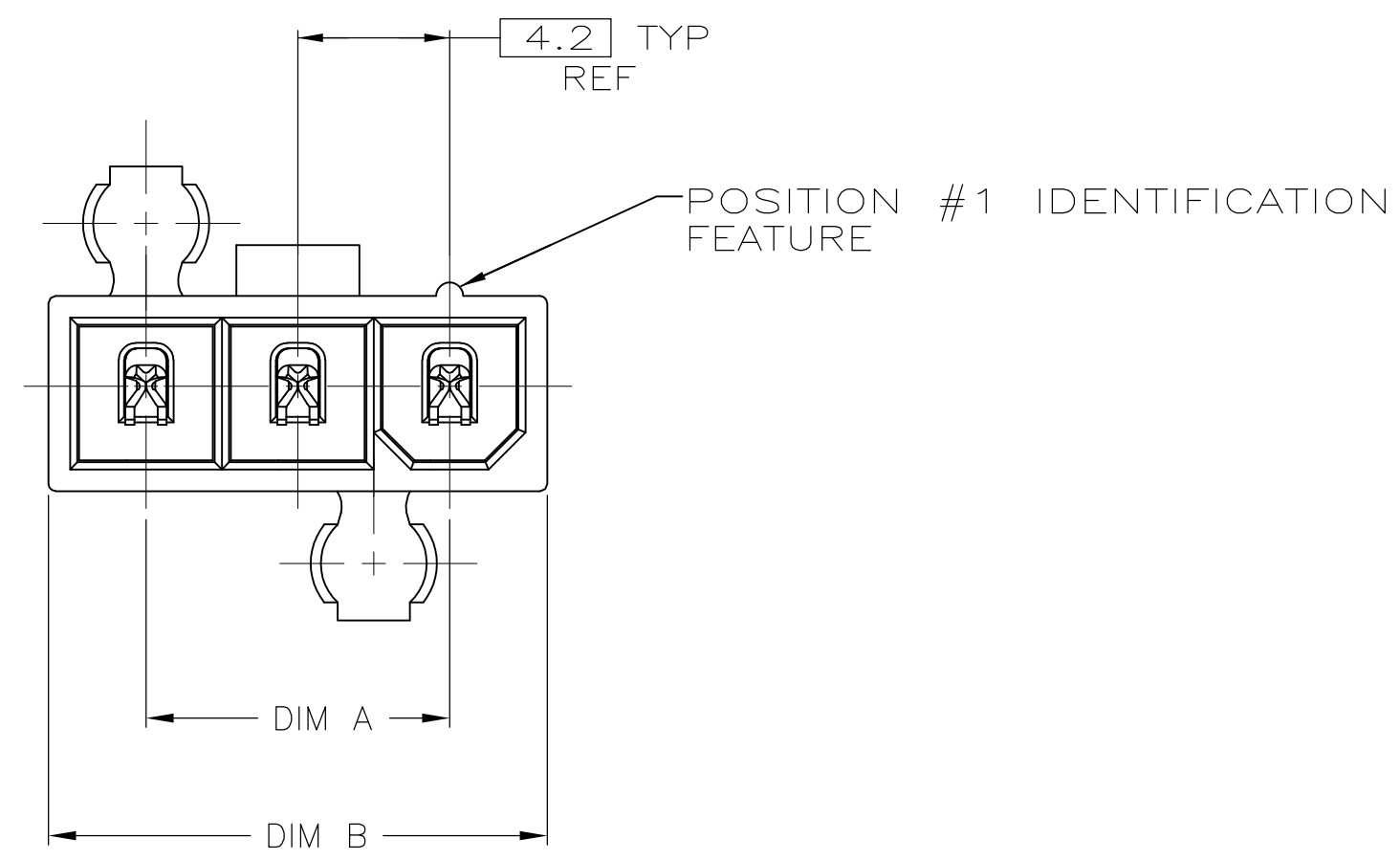
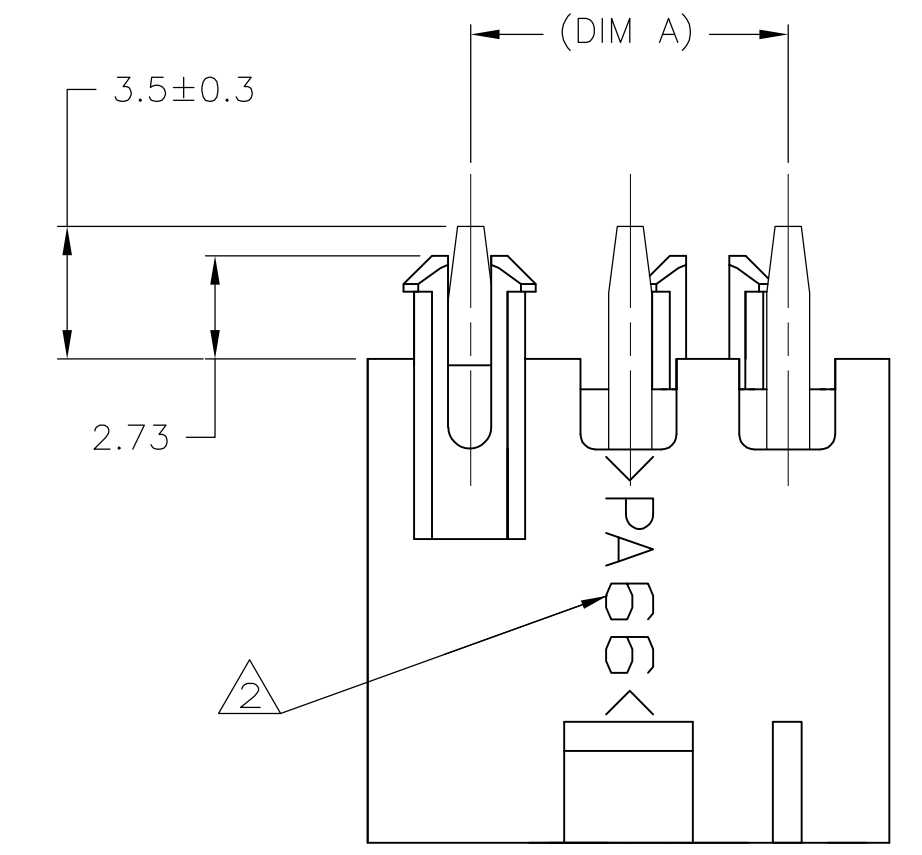
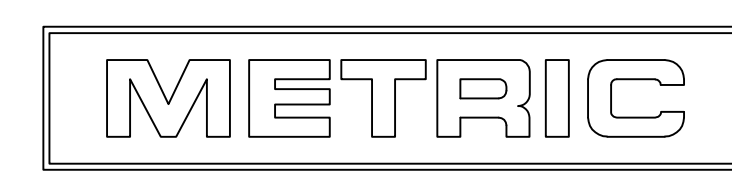


⚠ MATERIAL: HOUSING - NYLON, UL94V-0, WHITE.
 CONTACTS - BRASS, TIN PLATED.
 ⚠ TYCO ELECTRONICS LOGO AND MATERIAL ID MAY BE LOCATED ON EITHER LONG SIDE OF PART.



22.2	16.8	5	2029167-5
18	12.6	4	2029167-4
13.8	8.4	3	2029167-3
DIM B	DIM A	NO. OF POSITIONS	PART NO

RECOMMENDED MOUNTING HOLE PATTERN FOR 1.78 MAX THICK P.C. BOARD COMPONENT SIDE SHOWN



THIS DRAWING IS A CONTROLLED DOCUMENT.		DIN K. WHITAKER 01AUG2008		Tyco Electronics Corporation Harrisburg, PA 17105-3608	
DIMENSIONS: mm		CHK C. CASH 11JAN2008		Tyco Electronics	
TOLERANCES UNLESS OTHERWISE SPECIFIED:		APVD C. CASH 11JAN2008		NAME	
0. PLC ± -	1. PLC ± 0.2	PRODUCT SPEC		PLUG ASSEMBLY, VERTICAL, SINGLE ROW, 94V-0, W/O DRAIN HOLES, VAL-U-LOK(TM)	
2. PLC ± 0.13	3. PLC ± -	APPLICATION SPEC		SIZE CAGE CODE DRAWING NO	
4. PLC ± -	ANGLES ± 0°30'	WEIGHT		A1 00779 C=2029167	
MATERIAL		FINISH		RESTRICTED TO	
CUSTOMER DRAWING		SCALE 5:1		SHEET 1 OF 1 REV A	

单击下面可查看定价，库存，交付和生命周期等信息

[>>TE Connectivity\(泰科\)](#)