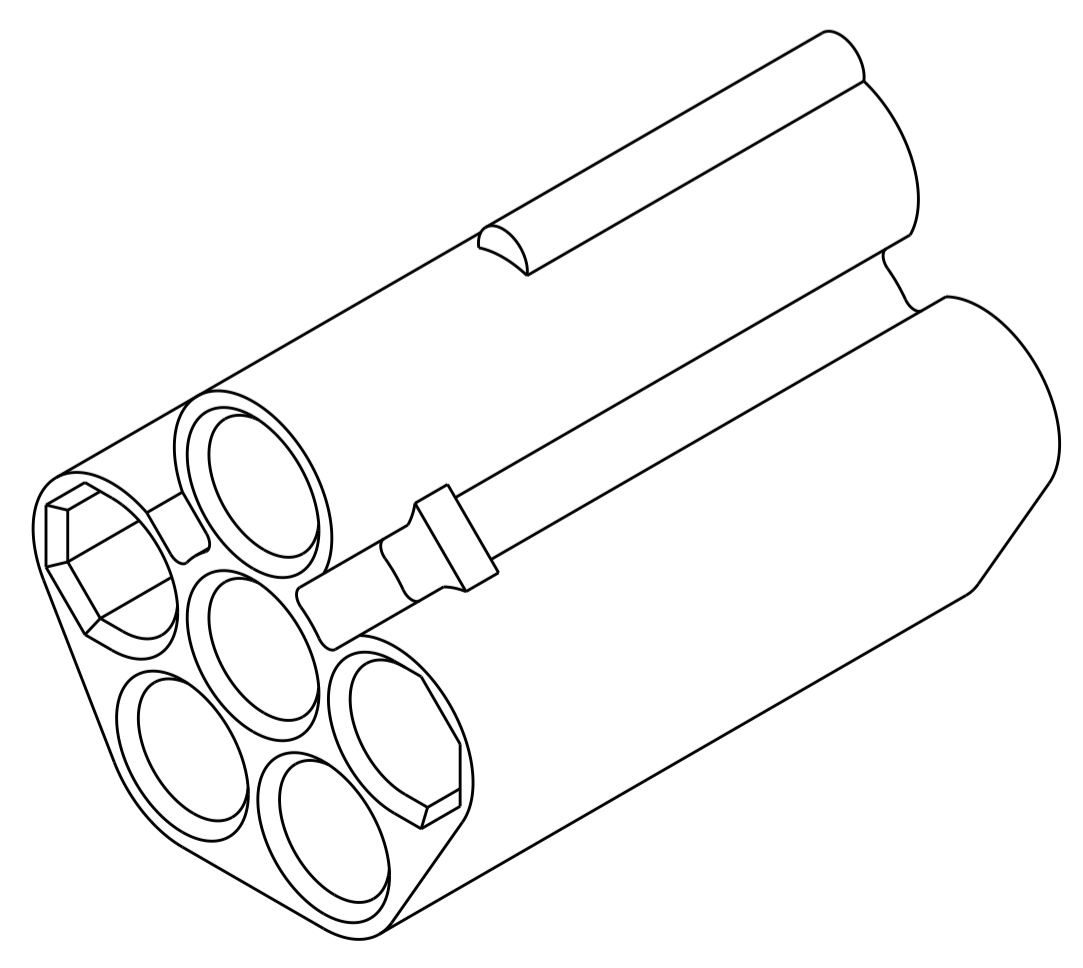
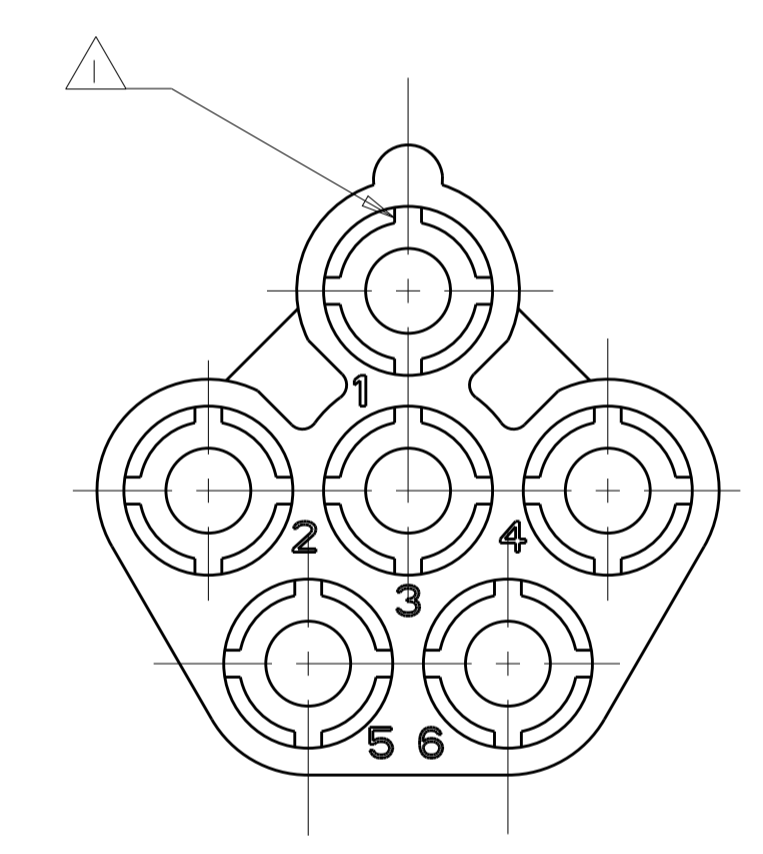
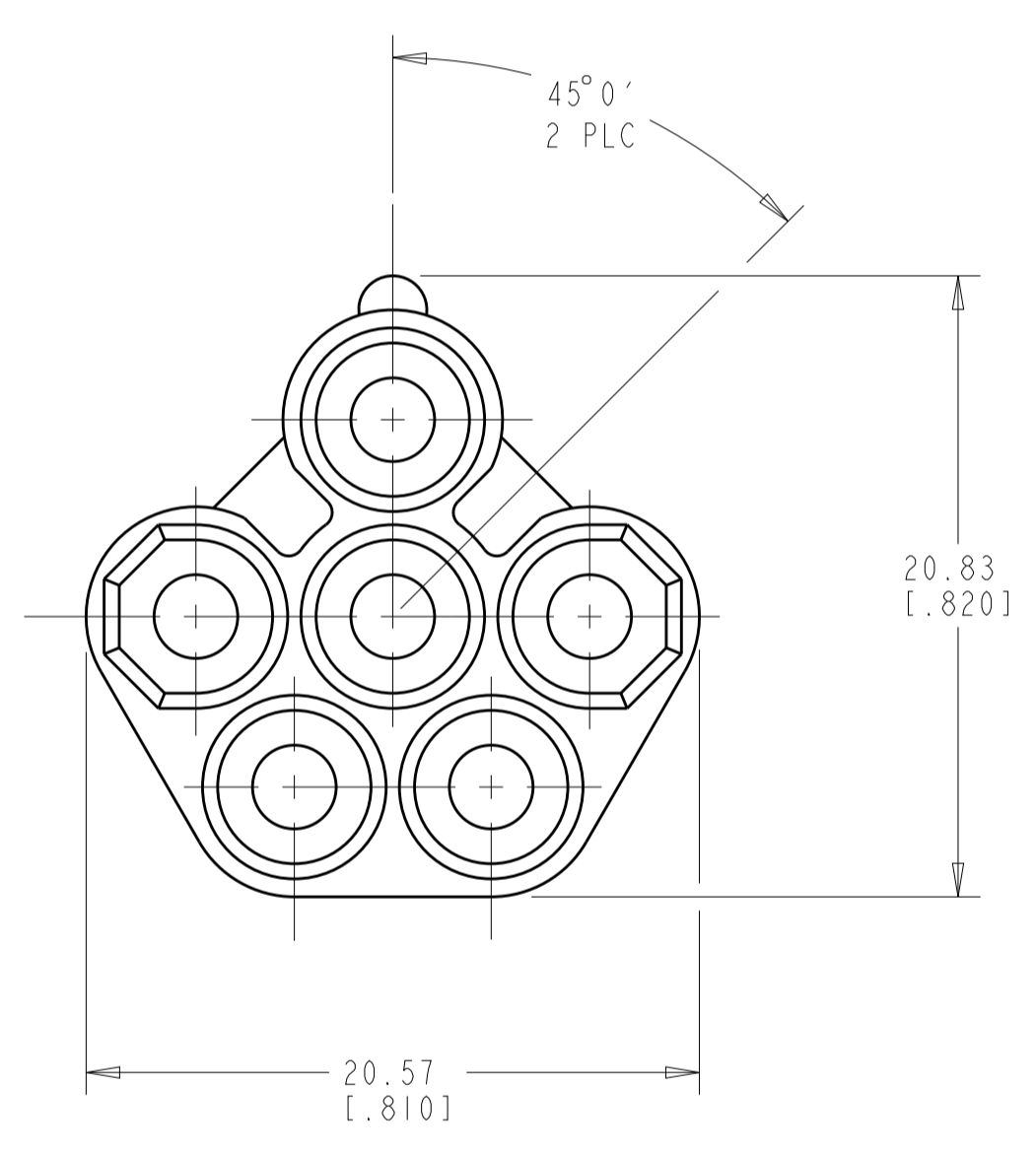
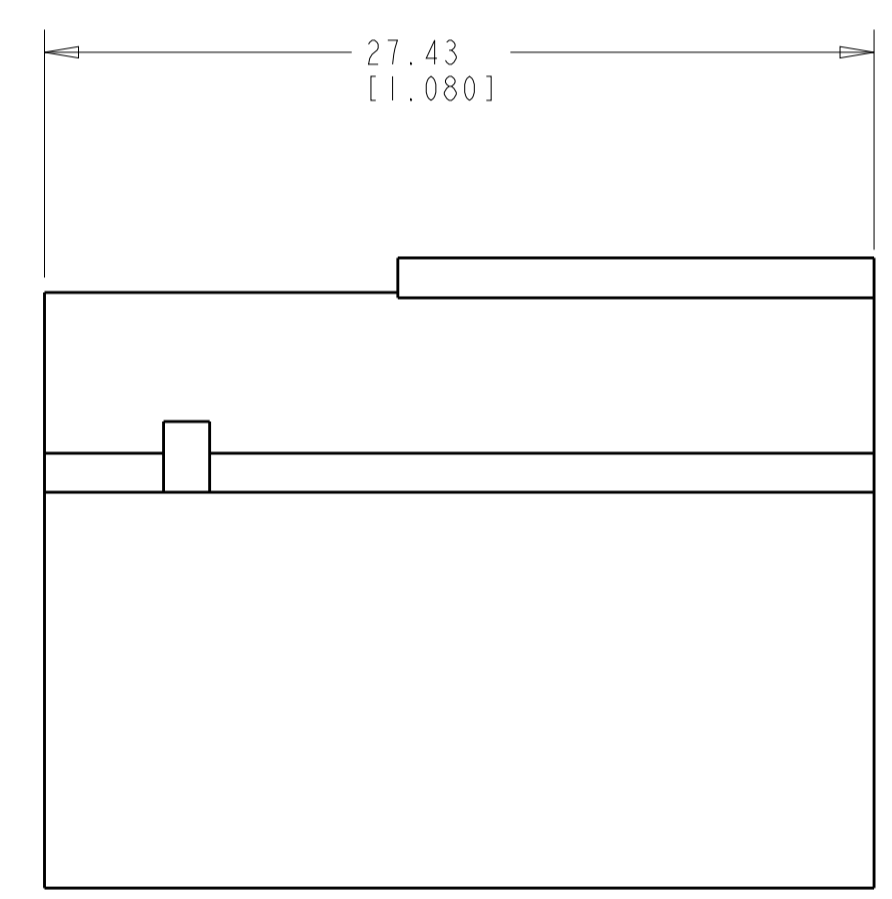
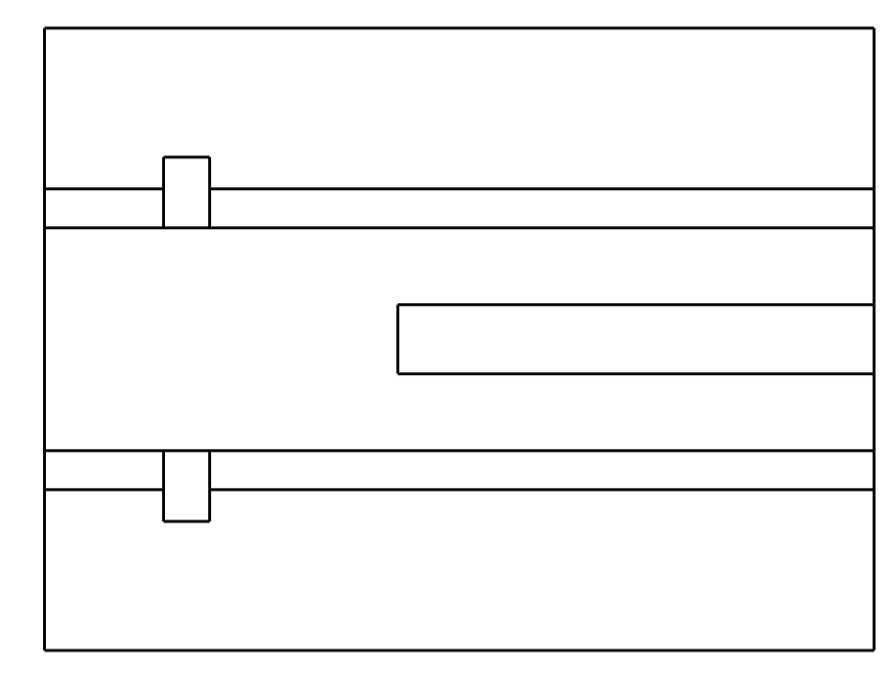


LOC		DIST		REVISIONS			
P	LTN	DESCRIPTION	DATE	DWN	APVD		
B2		REVISED PER ECO-17-011927	23AUG2017	RS	KR		

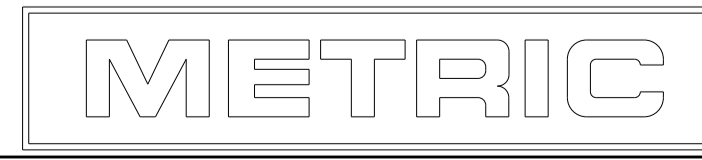
△ FOUR RIBS EQUALLY SPACED, NO SPECIFIC ORIENTATION.
 2. DIMENSIONS SHOWN REPRESENT PRODUCT IN DRY, AS MOLDED CONDITION ADDITIONAL 2% GROWTH DUE TO SUBSEQUENT MOISTURE ABSORPTION MAY OCCUR AND SHOULD BE ACCOUNTED FOR.



3-DIMENSIONAL MODEL
 SCALE 4:1

VOLUME	COLOR	PART NUMBER
0.218 IN ³	BLACK	794912-9
0.218 IN ³	GRAY	794912-8
0.218 IN ³	BROWN	794912-7
0.218 IN ³	BLUE	794912-6
0.218 IN ³	GREEN	794912-5
0.218 IN ³	YELLOW	794912-4
0.218 IN ³	ORANGE	794912-3
0.218 IN ³	RED	794912-2
0.218 IN ³	NATURAL	794912-1

DIMENSIONS: mm [INCHES]		TOLERANCES UNLESS OTHERWISE SPECIFIED: 0 PLC ± 1 PLC ± 2 PLC ±0.131(.005) 3 PLC ± 4 PLC ± ANGLES ±		DWN 23-MAR-2001 CHK H. WHITAKER S. RIDGILL APVD S. RIDGILL PRODUCT SPEC APPLICATION SPEC FINISH		NAME CAP, CIRCULAR, 6 CIRCUIT, UNIVERSAL MATE-N-LOK(TM)		AMP Incorporated Harrisburg, PA 17105-3608	
MATERIAL NYLON, UL 94V-2		WEIGHT -		SIZE A11		CAGE CODE 00779		DRAWING NO 794912	
CUSTOMER DRAWING				SCALE 4:1		SHEET 1 OF 1		REV B2	



单击下面可查看定价，库存，交付和生命周期等信息

[>>TE Connectivity\(泰科\)](#)