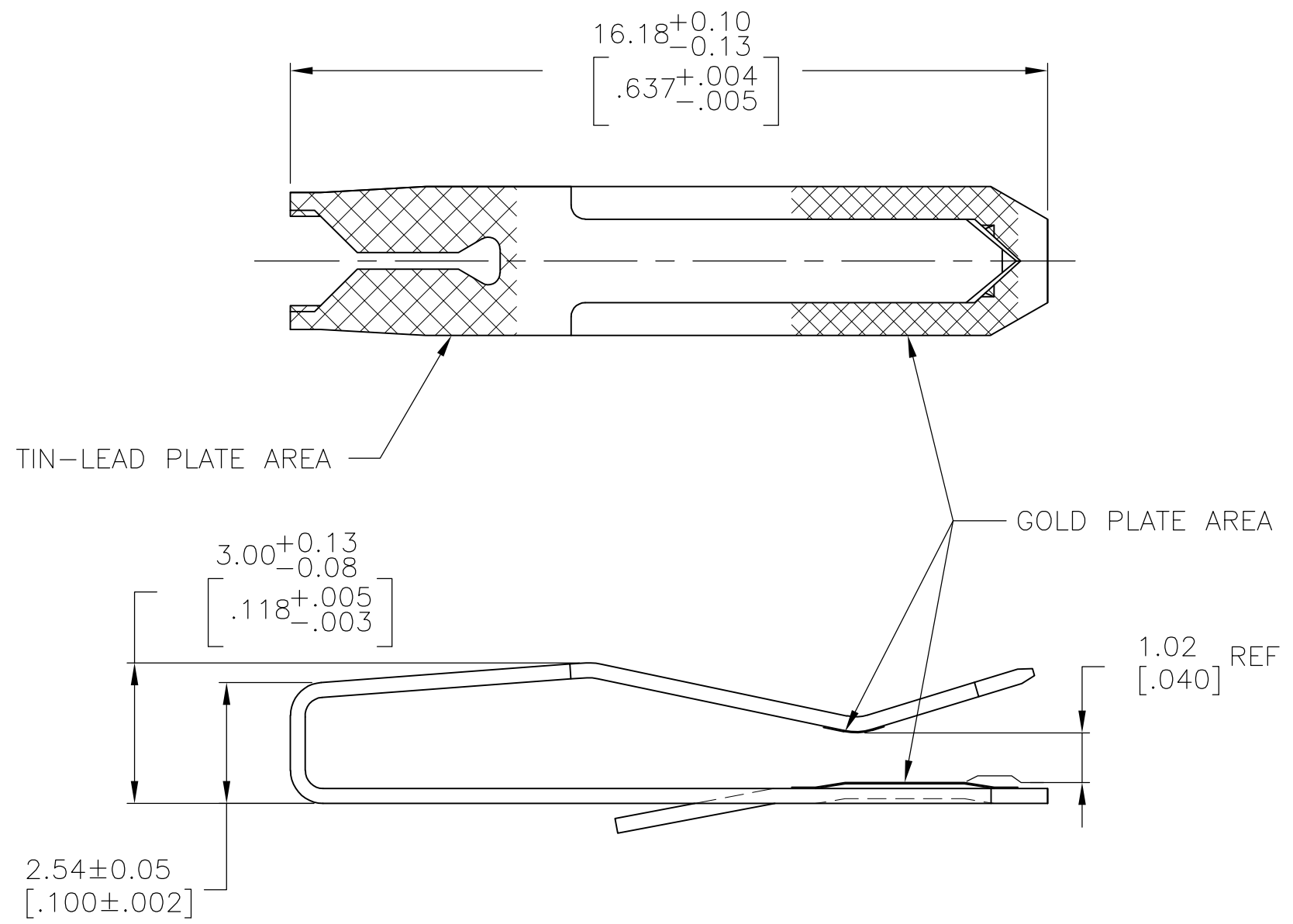


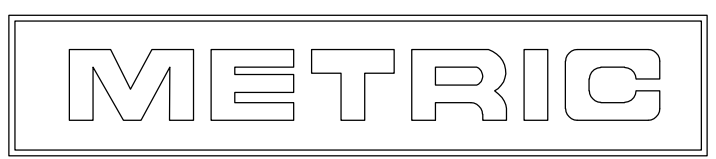
THIS DRAWING IS UNPUBLISHED. RELEASED FOR PUBLICATION  
 © COPYRIGHT BY TYCO ELECTRONICS CORPORATION. ALL RIGHTS RESERVED.

LOC	DIST	REVISIONS					
		P	LTR	DESCRIPTION	DATE	DWN	APVD
CM	00		C	ECO-08-001888	28JAN08	KW	DB
			C1	REVISED PER ECO-09-023313	13OCT09	KK	AEG



- DIMENSIONS IN BRACKETS ARE IN INCHES.
- 0.00038 [.000015] MIN THICK GOLD IN THE GOLD PLATE AREA OVER 0.00127 [.000050] MIN THICK NICKEL.
- 0.00076 [.000030] MIN THICK GOLD IN THE GOLD PLATE AREA OVER 0.00127 [.000050] MIN THICK NICKEL.
- 0.00203 [.000080] MIN THICK TIN-LEAD IN THE TIN-LEAD PLATE AREA OVER 0.00127 [.000050] MIN THICK NICKEL.
- MATTE TIN 0.00203(.000080) MIN THICK IN TIN PLATED AREA
- OBSOLETE PARTS: OBSOLETE CIS STREAMLINING PER D.RENAUD/D.SINISI

		△3 △5	641146-4
		△2 △5	641146-3
△6	OBSOLETE	△3 △4	641146-2
△6	SUPERSEDED	△2 △4	641146-1
		FINISH	PART NO



THIS DRAWING IS A CONTROLLED DOCUMENT.		DWN BSV 25OCT2005	Tyco Electronics Corporation Harrisburg, PA 17105-3608	
DIMENSIONS: mm [INCHES]	TOLERANCES UNLESS OTHERWISE SPECIFIED:	CHK D. BOSSI 25OCT2005	NAME CONTACT, GOLD STRIPE, 24 AWG WIRE, LOOSE PIECE, MTA 156	
	0 PLC ± -	APVD D. BOSSI 25OCT2005	PRODUCT SPEC -	
	1 PLC ± -		APPLICATION SPEC -	
	2 PLC ± -		SIZE A3	CAGE CODE 00779
	3 PLC ± 0.13 [.005]		DRAWING NO C-641146	RESTRICTED TO -
	4 PLC ± -		SCALE 8:1 SHEET 1 OF 1 REV C1	
	ANGLES ± -			
MATERIAL 0.30 [.012] THK COPPER ALLOY	FINISH SEE TABLE	WEIGHT -	CUSTOMER DRAWING	

单击下面可查看定价，库存，交付和生命周期等信息

[>>TE Connectivity\(泰科\)](#)