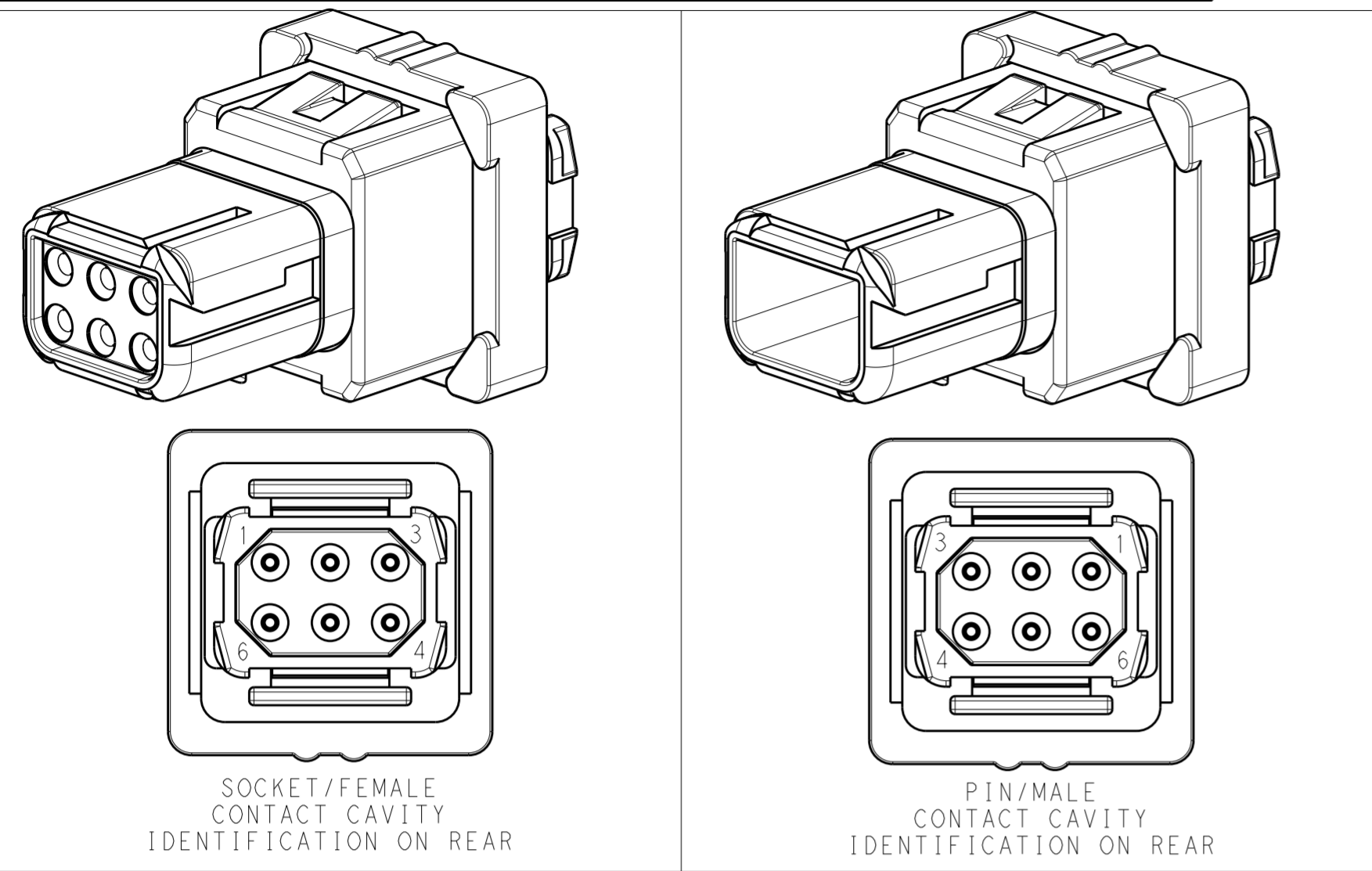


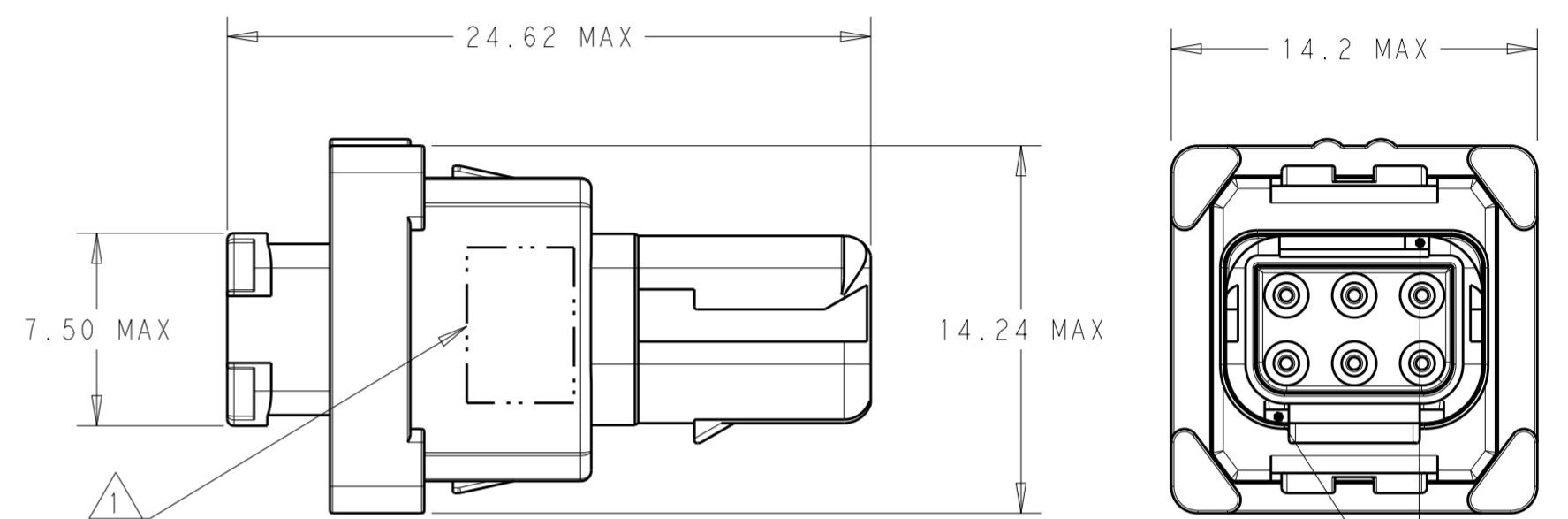
THIS DRAWING IS UNPUBLISHED. RELEASED FOR PUBLICATION 20
 © COPYRIGHT 20 BY - ALL RIGHTS RESERVED.

CONFIDENTIAL

REVISIONS					
P	LTR	DESCRIPTION	DATE	DWN	APVD
AA		RELEASED PER CRN24071	21APR2016	LS	KA
AB		RELEASED PER CRN24444	10FEB2017	DCB	KA
AC		RELEASED PER CRN25370	04FEB2019	LS	RM



KEYWAY TABLE	
ORIENTATION	COLOR
N	BLACK
A	DARK RED
B	DARK BLUE
C	DARK GREEN
D	YELLOW



1 MARKED WITH DEUTSCH PART NO, DEUTSCH (HASTINGS) CAGE CODE AND DATE CODE ON EITHER SIDE.

PART NUMBER EXAMPLE: D369 - A 6 6 - N S 1

7 BASIC PART NO
 CONNECTOR TYPE (A = FLANGE MT, 1.27mm PANEL)
 SHELL SIZE
 CONTACT QTY (6=6X#22'S)

4 CONTACT CONFIGURATION
 CONTACT TYPE (P=PIN, S=SKT)
 SHELL KEYING

2. PERFORMANCE:
 TEMPERATURE RANGE: -55°C TO +175°C. INSULATION RESISTANCE: >5000MΩ.
 DIELECTRIC WITHSTAND: 1500VRMS, <2mA. SEALING: 15KM(50000FT) ALTITUDE/IP67
 DURABILITY: 500 MATING CYCLES MIN. FLUID RESISTANCE: I.A.W. EN2591-315.
 FLAMMABILITY, SMOKE AND TOXICITY: I.A.W. FAR 25.853 APPENDIX F.

3. INSERTION/EXTRACTION TOOL (M81969/14-01 OR EQUIVALENT) SUPPLIED SEPARATELY.

CONTACT CONFIGURATION	CONTACT DESCRIPTION	CONTACT P/N (OR EQUIVALENT)		CRIMP POSITIONER		CRIMP TOOL	WIRE ACCOMMODATION	CURRENT RATING
		PIN	SOCKET	PIN	SOCKET			
0		NO CONTACTS SUPPLIED						
1	CRIMP, COPPER WIRE	38941-22	38946-22	M22520/2-09	M22520/2-06	M22520/2-01	22-28 AWG	5A (22 AWG)
2	CRIMP, ALUMINUM WIRE	200-1042-22	200-1142-22	KAL2		ALNP 22-A	22 AWG	5A
3	CRIMP, COPPER WIRE (ENLARGED WIRE)	182-0860-22	182-0862-22	M22520/2-09	M22520/2-06	M22520/2-01	20-24 AWG	5A (20 AWG)

5. MATERIALS:
 SEALS & PANEL GASKET: SILICONE/FLUOROSILICONE BLEND RUBBER PER AMS-R-25988 TYPE II, CLASS I, GRADE 40.
 BODY/INSERT COMPONENTS: POLYETHERIMIDE, 10% GLASS FILLED PER ASTM D 5205 OR POLYETHERETHERKETONE 450G.

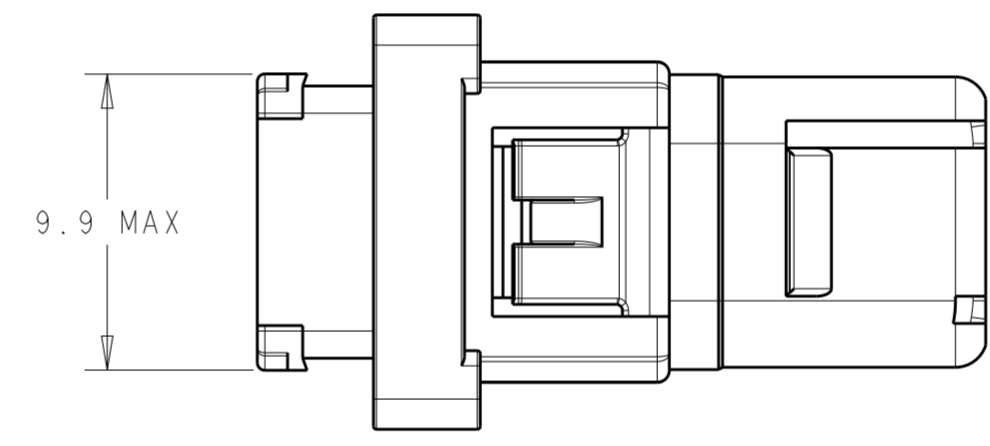
6 MAXIMUM WEIGHT (WITHOUT CONTACTS): 2.2g (SKT INSERT), 2.0g (PIN INSERT).

7 RECOMMENDED PANEL THICKNESSES LISTED IN TABLE BELOW FOR REFERENCE ONLY. REFER TO INSTRUCTION SHEET 408-32194 FOR RECOMMENDED PANEL CUT-OUT DIMENSIONS.

GASKET CONFIGURATION	NUMBER OF MARKS	RECOMMENED PANEL THICKNESS	GASKET PART NUMBER
A*	2	1.27	612154-6-A
B	3	1.60	612154-6-B
C*	4	2.03	612154-6-C

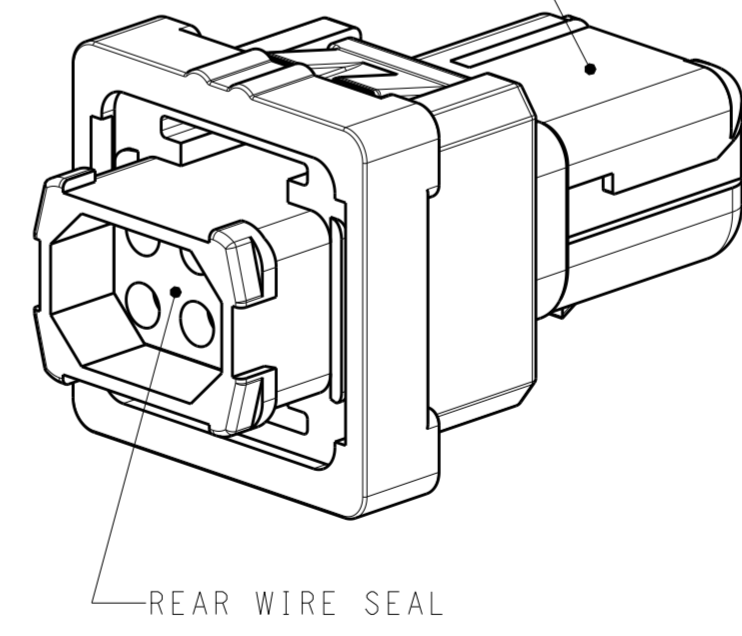
* - NOT TOOLED, CONSULT TE.

8. FILLER PLUGS AVAILABLE FOR CONTACT CAVITIES.
 TE PART NUMBER: 600300-22
 MIL-SPEC: MS27488-22-2

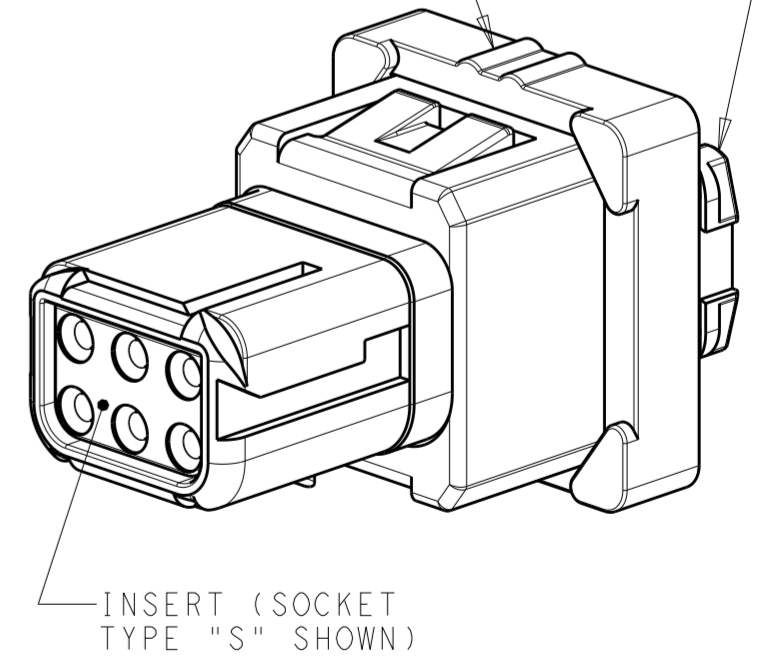


SHELL COLOR IS KEYING DEPENDENT (SEE TABLE)

GASKET IDENTIFICATION MARKS ("A" SHOWN)



REAR WIRE SEAL



INSERT (SOCKET TYPE "S" SHOWN)

ACCESSORY OR BOOT MOUNTING FEATURE

THIS DRAWING IS A CONTROLLED DOCUMENT.		DWN	L. SIPE	30DEC2014	 TE Connectivity	NAME		D369 PANEL MOUNT RECEPTACLE, SHELL SIZE 6, 6 WAY		
DIMENSIONS:		CHK	K. ANNIS	30DEC2014		PRODUCT SPEC		SIZE	CAGE CODE	DRAWING NO
mm		APVD	K. ANNIS	30DEC2014		APPLICATION SPEC		A2	-	G-D612015-6-ENV
0 PLC ± 1 PLC ± 2 PLC ± 3 PLC ± 4 PLC ± ANGLES ± FINISH -		TOLERANCES UNLESS OTHERWISE SPECIFIED:		WEIGHT		6	SCALE	4:1	SHEET	
MATERIAL		CUSTOMER DRAWING		RESTRICTED TO		REV		AC		

单击下面可查看定价，库存，交付和生命周期等信息

[>>TE Connectivity\(泰科\)](#)