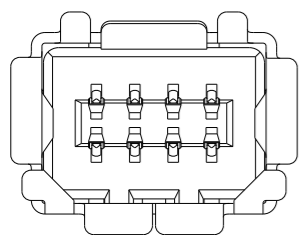
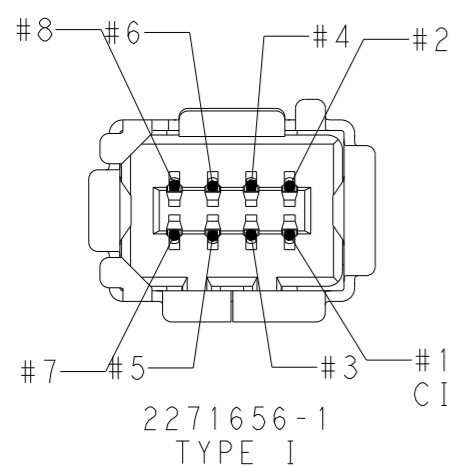
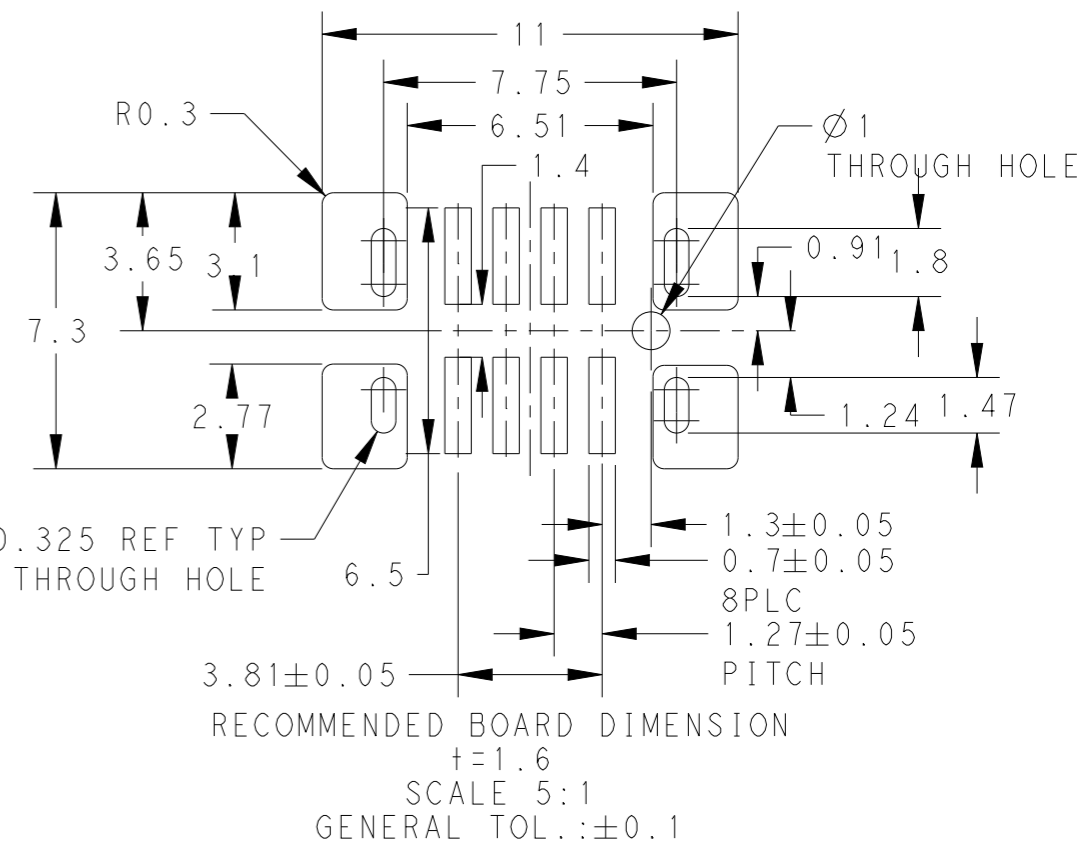
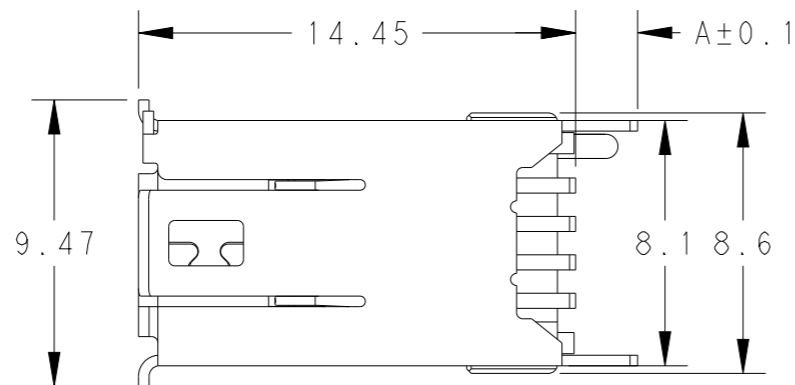


THIS DRAWING IS UNPUBLISHED. RELEASED FOR PUBLICATION
 © COPYRIGHT - BY - ALL RIGHTS RESERVED.

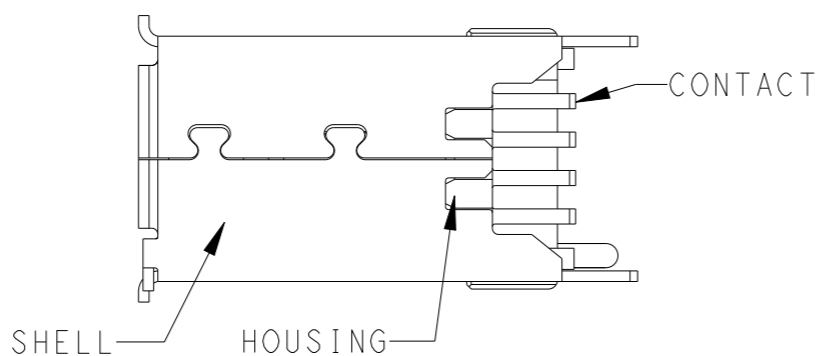
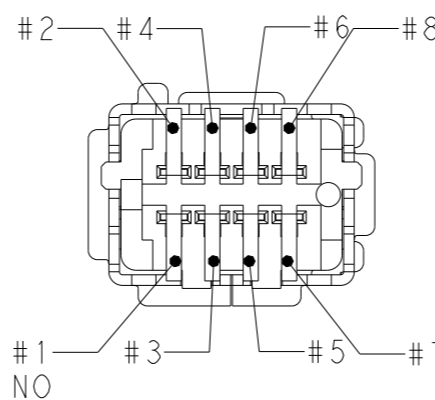
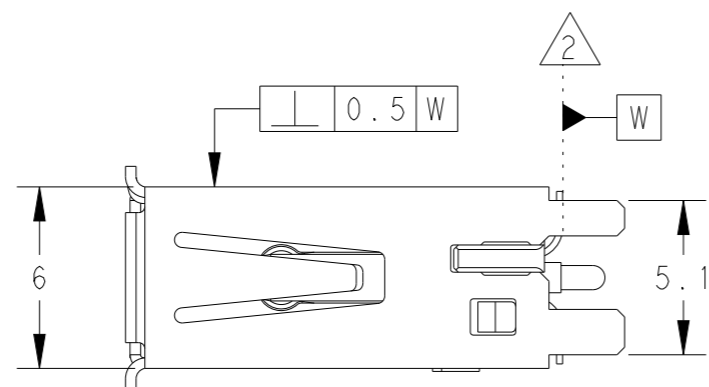
LOC	DIST	REVISIONS					
		P	LTR	DESCRIPTION	DATE	DWN	APVD
-	-		C	ECR-18-010755	11NOV2018	GCM	PP
			C1	ADDED NEW PART VARIANT 3--1 AND 3--2	19OCT2020	SS	JDB
			C2	ADDED NEW PART VARIANT 4--1	19MAY2021	SS	JDB
			C3	PACKAGING DETAILS CORRECTED FOR 4-2271656-1	14SEP2021	SS	JDB



2271656-2
TYPE II



2271656-1
TYPE I



DIM "A"	POS	TOP CONTACT AREA	DESCRIPTION	PART NO
1.5	8	GOLD 0.5µm MIN	TYPE I SMT RECEPTACLE WITH CAP ON EMBOSS TAPE	4-2271656-1
2.05	8	GOLD 0.76µm MIN	TYPE II SMT RECEPTACLE WITH EMBOSS TAPE	3-2271656-2
2.05	8	GOLD 0.76µm MIN	TYPE I SMT RECEPTACLE WITH EMBOSS TAPE	3-2271656-1
2.05	8	GOLD 0.5µm MIN	TYPE II SMT RECEPTACLE WITH CAP ON EMBOSS TAPE	2-2271656-2
2.05	8	GOLD 0.5µm MIN	TYPE I SMT RECEPTACLE WITH CAP ON EMBOSS TAPE	2-2271656-1
2.05	8	GOLD 0.5µm MIN	TYPE II SMT RECEPTACLE WITH CAP	1-2271656-2
2.05	8	GOLD 0.5µm MIN	TYPE I SMT RECEPTACLE WITH CAP	1-2271656-1
2.05	8	GOLD 0.5µm MIN	TYPE II SMT RECEPTACLE	2271656-2
2.05	8	GOLD 0.5µm MIN	TYPE I SMT RECEPTACLE	2271656-1

NOTES:
 1 MATERIAL AND FINISH
 CONTACT: COPPER ALLOY
 UNDER ALL SURFACE NICKEL 1.27µm MIN.
 TOP CONTACT AREA: SEE TABLE
 SOLDERING AREA: TIN PLATE
 HOUSING: THERMO PLASTIC (UL94V-0)
 SHELL: COPPER ALLOY
 UNDER ALL SURFACE NICKEL
 TOP ALL SURFACE TIN
 2 COPLANARITY 0.1 MAX (IN 8 TIPS OF CONTACTS)
 DATUM -W- IS THE SEATING PLANE FOR ALL 8 CONTACT LEGS
 3 GENERAL TOL.: ±0.3; ±5°

THIS DRAWING IS A CONTROLLED DOCUMENT.

DWN: LEAR ZHANG 01DEC2015
 CHK: KOBBY ZHAO 01DEC2015
 APVD: XU XIANG 01DEC2015

NAME: SMT VERTICAL MINI I/O RECEPTACLE 1.27mm PITCH

TE Connectivity

108-106087

SIZE: A3 CAGE CODE: - DRAWING NO: C-2271656 RESTRICTED TO: -

CUSTOMER DRAWING SCALE: 4:1 SHEET: 1 OF 5 REV: C3

4

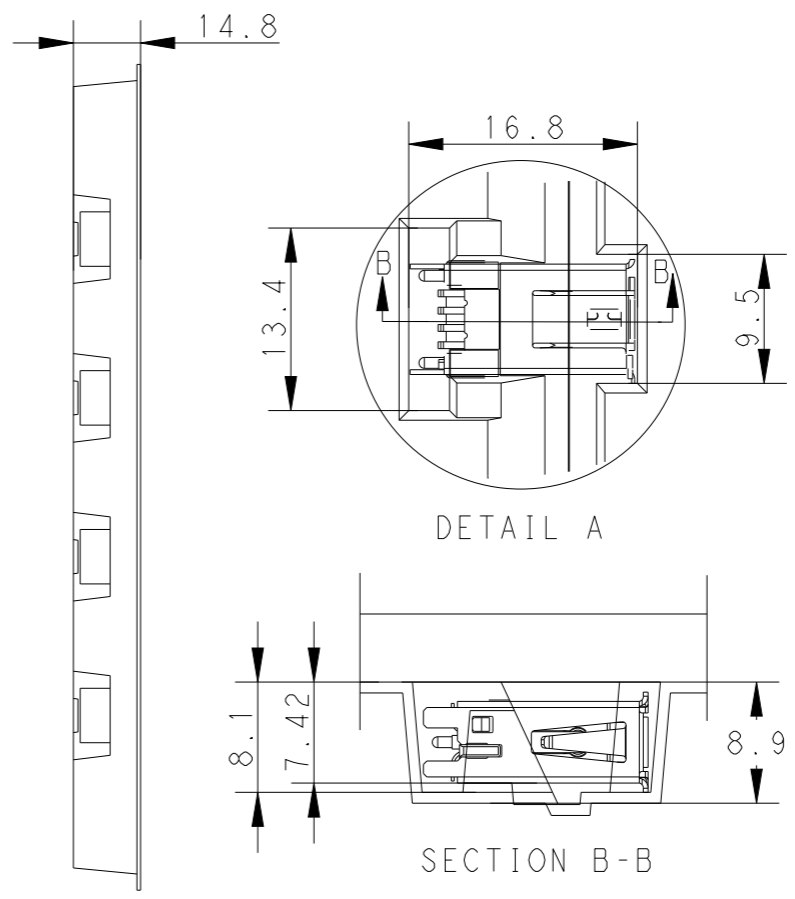
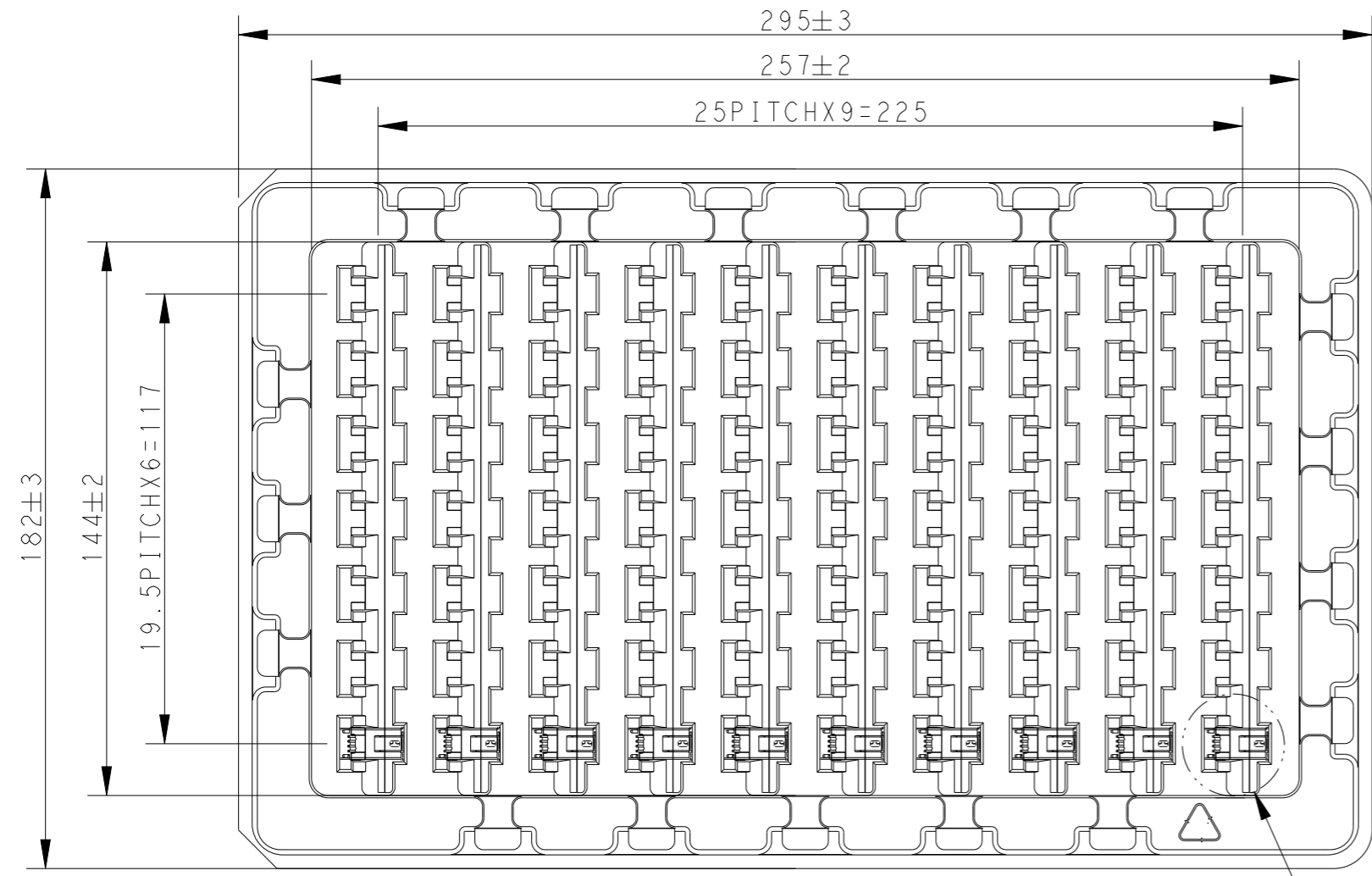
3

2

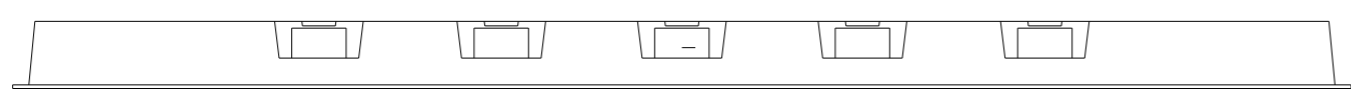
1

THIS DRAWING IS UNPUBLISHED. RELEASED FOR PUBLICATION
 © COPYRIGHT - BY - ALL RIGHTS RESERVED.

LOC	DIST	REVISIONS			
P	LTR	DESCRIPTION	DATE	DWN	APVD
-	-	SEE SHEET 1	-	-	-



SEE DETAIL A



NOTE:
 4 PACKAGE:
 70PCS PER TRAY FOR 2271656-1, 2271656-2

THIS DRAWING IS A CONTROLLED DOCUMENT.

DIMENSIONS:	TOLERANCES UNLESS OTHERWISE SPECIFIED:
mm	
	0 PLC ±-
	1 PLC ±-
	2 PLC ±-
	3 PLC ±-
	4 PLC ±-
	ANGLES ±-
MATERIAL	FINISH

DWN	01DEC2015
LEAR ZHANG	
CHK	01DEC2015
KOBBY ZHAO	
APVD	01DEC2015
XU XIANG	
PRODUCT SPEC	108-106087
APPLICATION SPEC	-
WEIGHT	-
CUSTOMER DRAWING	

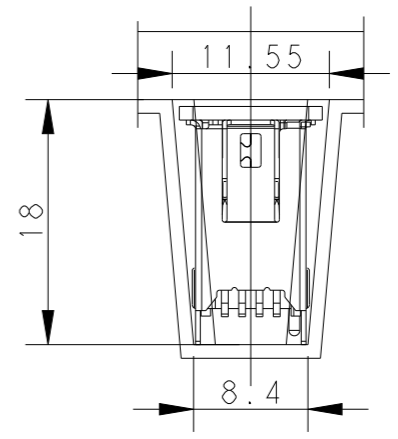
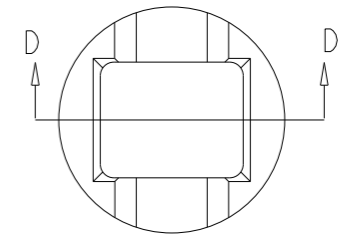
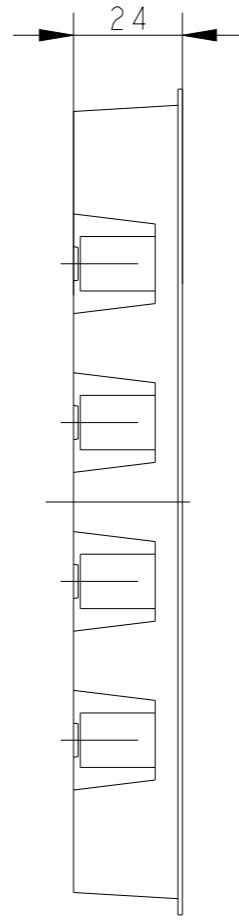
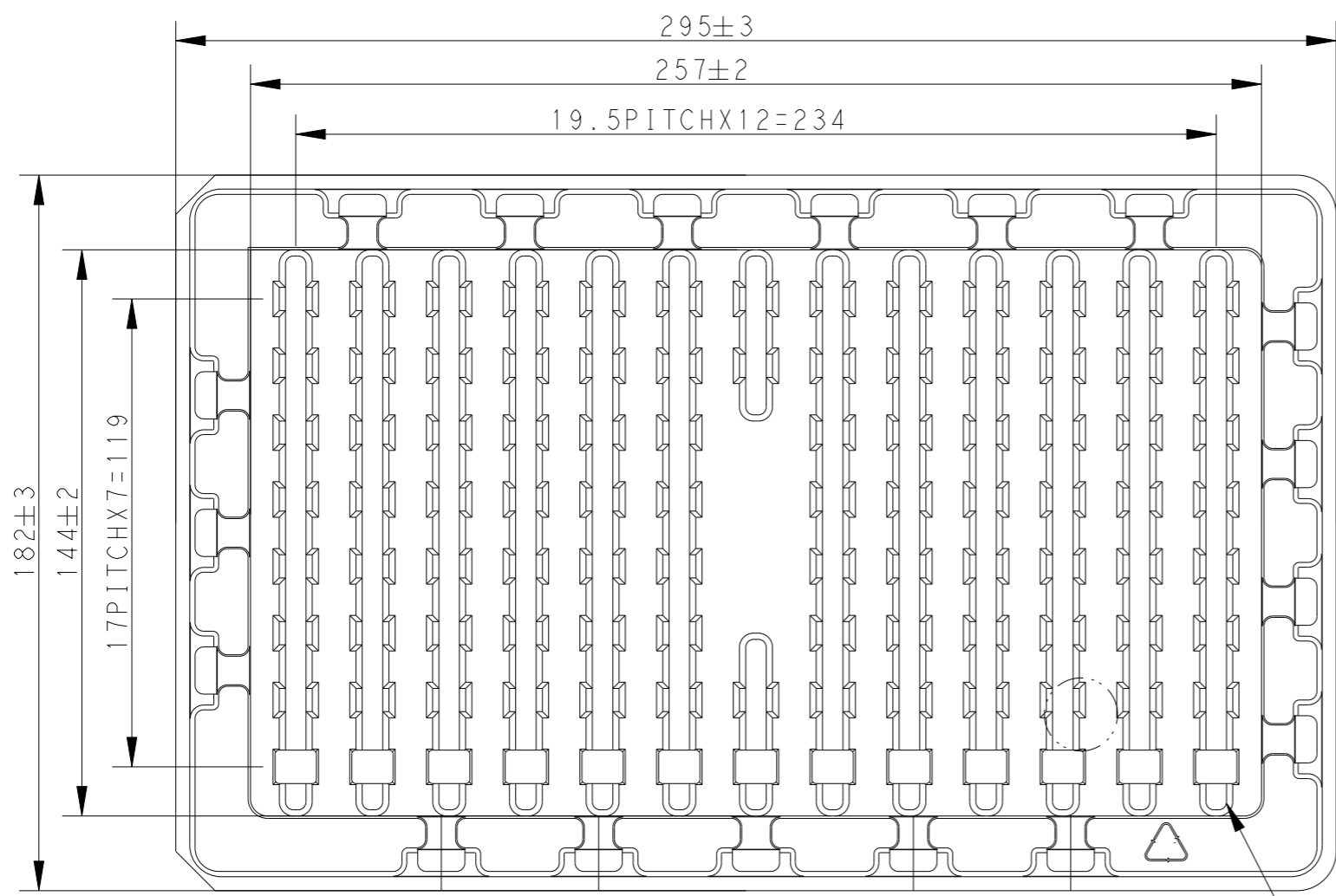
PACKAGE AS SHOWN	2271656-2 2271656-1
DESCRIPTION	PART NO



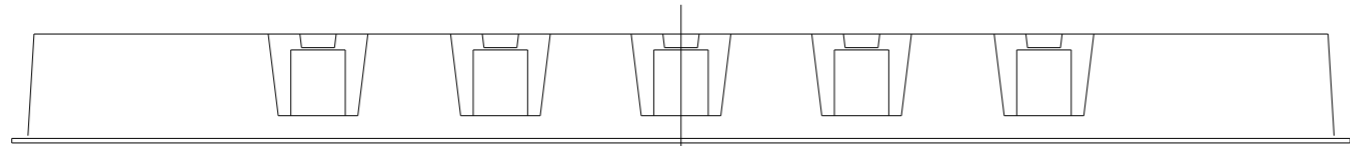
NAME			
SMT VERTICAL MINI I/O RECEPTACLE 1.27mm PITCH			
SIZE	CAGE CODE	DRAWING NO	RESTRICTED TO
A3	-	©-2271656	-
SCALE		SHEET	REV
4:1		2 OF 5	C3

THIS DRAWING IS UNPUBLISHED. RELEASED FOR PUBLICATION
 © COPYRIGHT - BY - ALL RIGHTS RESERVED.

LOC	DIST	REVISIONS			
P	LTR	DESCRIPTION	DATE	DWN	APVD
-	-	SEE SHEET 1	-	-	-




SEE DETAIL C



NOTE:
 5 PACKAGE:
 100PCS PER TRAY FOR 1-2271656-1 & 1-2271656-2

PACKAGE AS SHOWN	1-2271656-2 1-2271656-1
DESCRIPTION	PART NO

THIS DRAWING IS A CONTROLLED DOCUMENT.		DWN	01DEC2015	 TE Connectivity NAME SMT VERTICAL MINI I/O RECEPTACLE 1.27mm PITCH	RESTRICTED TO		
DIMENSIONS: mm		CHK	01DEC2015				
TOLERANCES UNLESS OTHERWISE SPECIFIED:		APVD	01DEC2015				
0 PLC ±- 1 PLC ±- 2 PLC ±- 3 PLC ±- 4 PLC ±- ANGLES ±- MATERIAL - FINISH -		LEAR ZHANG KOBBY ZHAO XU XIANG PRODUCT SPEC 108-106087 APPLICATION SPEC - WEIGHT -	SIZE A3				
CUSTOMER DRAWING		SCALE	4:1	SHEET	3 OF 5	REV	C3

THIS DRAWING IS UNPUBLISHED.

RELEASED FOR PUBLICATION

© COPYRIGHT - BY -

ALL RIGHTS RESERVED.

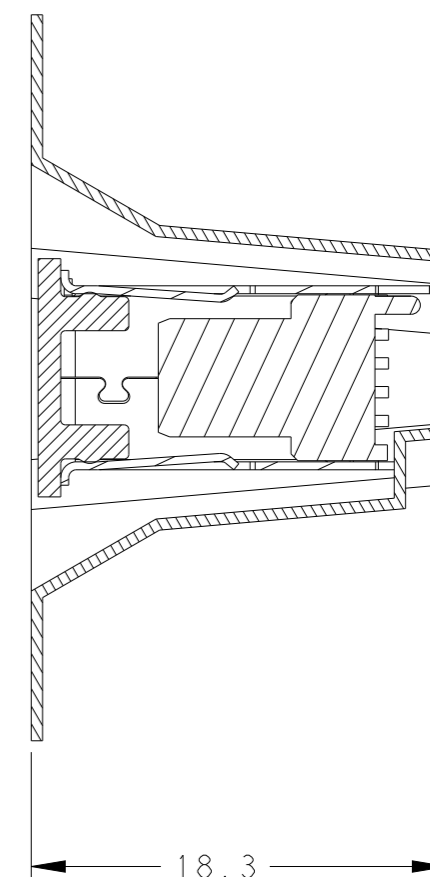
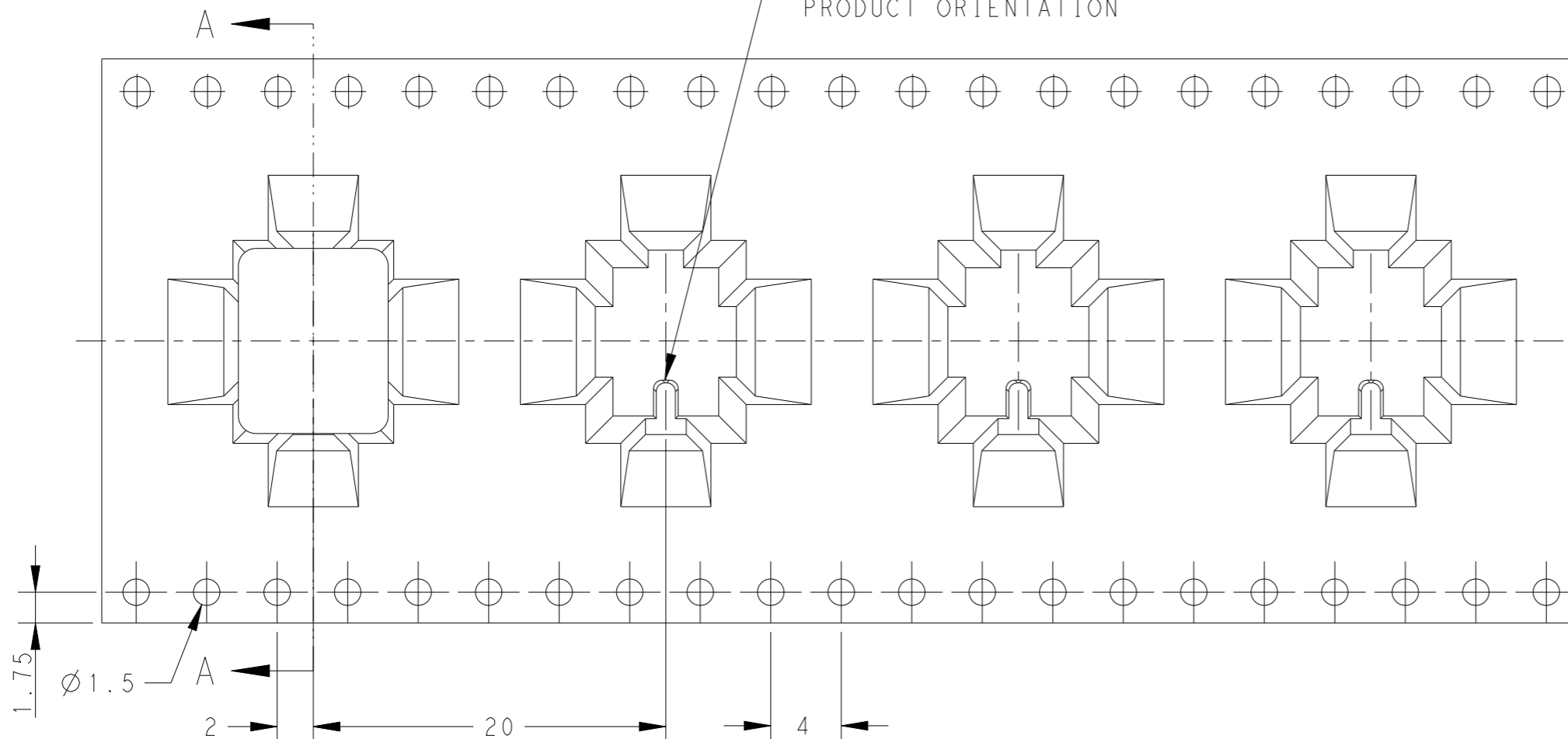
LOC - DIST -

REVISIONS

P	LTR	DESCRIPTION	DATE	DWN	APVD
-	-	SEE SHEET 1	-	-	-

CODING KEY FOR PRODUCT ORIENTATION

SECTION A - A



EMBOSS TAPE

PACKAGE AS SHOWN	3-2271656-2
	3-2271656-1
	2-2271656-2
	2-2271656-1
DESCRIPTION	PART NO

NOTE:
 6 PACKAGE:
 200PCS PER REEL FOR 2-2271656-1, 2-2271656-2,
 3-2271656-1 & 3-2271656-2

THIS DRAWING IS A CONTROLLED DOCUMENT.

DIMENSIONS: mm	TOLERANCES UNLESS OTHERWISE SPECIFIED:
	0 PLC ±-
	1 PLC ±-
	2 PLC ±-
	3 PLC ±-
	4 PLC ±-
	ANGLES ±-
MATERIAL -	FINISH -

DWN	01DEC2015
LEAR ZHANG	
CHK	01DEC2015
KOBBY ZHAO	
APVD	01DEC2015
XU XIANG	
PRODUCT SPEC	108-106087
APPLICATION SPEC	-
WEIGHT	-

STE TE Connectivity			
NAME SMT VERTICAL MINI I/O RECEPTACLE 1.27mm PITCH			
SIZE	CAGE CODE	DRAWING NO	RESTRICTED TO
A3	-	©-2271656	-
CUSTOMER DRAWING		SCALE 4:1	SHEET 4 OF 5 REV C3

4

3

2

1

THIS DRAWING IS UNPUBLISHED.

RELEASED FOR PUBLICATION

© COPYRIGHT -

BY -

ALL RIGHTS RESERVED.

LOC -

DIST -

REVISIONS

P	LTR	DESCRIPTION	DATE	DWN	APVD
-	-	SEE SHEET 1	-	-	-

CODING KEY FOR
PRODUCT ORIENTATION

SECTION A - A

1.75

Ø1.5

2

20

4

17.8

EMBOSS TAPE

NOTE:
7 PACKAGE:
230PCS PER REEL FOR 4-2271656-1

THIS DRAWING IS A CONTROLLED DOCUMENT.

DIMENSIONS:	TOLERANCES UNLESS OTHERWISE SPECIFIED:
mm	
	0 PLC ±-
	1 PLC ±-
	2 PLC ±-
	3 PLC ±-
	4 PLC ±-
	ANGLES ±-
MATERIAL	FINISH

DWN	01DEC2015
LEAR ZHANG	
CHK	01DEC2015
KOBBY ZHAO	
APVD	01DEC2015
XU XIANG	
PRODUCT SPEC	108-106087
APPLICATION SPEC	-
WEIGHT	-
CUSTOMER DRAWING	

PACKAGE AS SHOWN	4-2271656-1
DESCRIPTION	PART NO

TE Connectivity

NAME			
SMT VERTICAL MINI I/O RECEPTACLE			
1.27mm PITCH			
SIZE	CAGE CODE	DRAWING NO	RESTRICTED TO
A3	-	©-2271656	-
SCALE		SHEET	REV
4:1		5 OF 5	C3

1470-19 (3/11)

Downloaded From Onevac.com

单击下面可查看定价，库存，交付和生命周期等信息

[>>TE Connectivity\(泰科\)](#)