

THIS DRAWING IS UNPUBLISHED.
 VERTRÄGLICHE UNVERÖFFENTLICHTE ZEICHNUNG
 © COPYRIGHT 2014 Tyco Electronics AMP GmbH
 RELEASED FOR PUBLICATION
 FREI FÜR VERÖFFENTLICHUNG
 2014
 ALL RIGHTS RESERVED.
 ALLE RECHTE VORBEHALTEN.
 MATED WITH
 PASSEND ZU

PROJECT NO.:
 PRJ-11-000004377

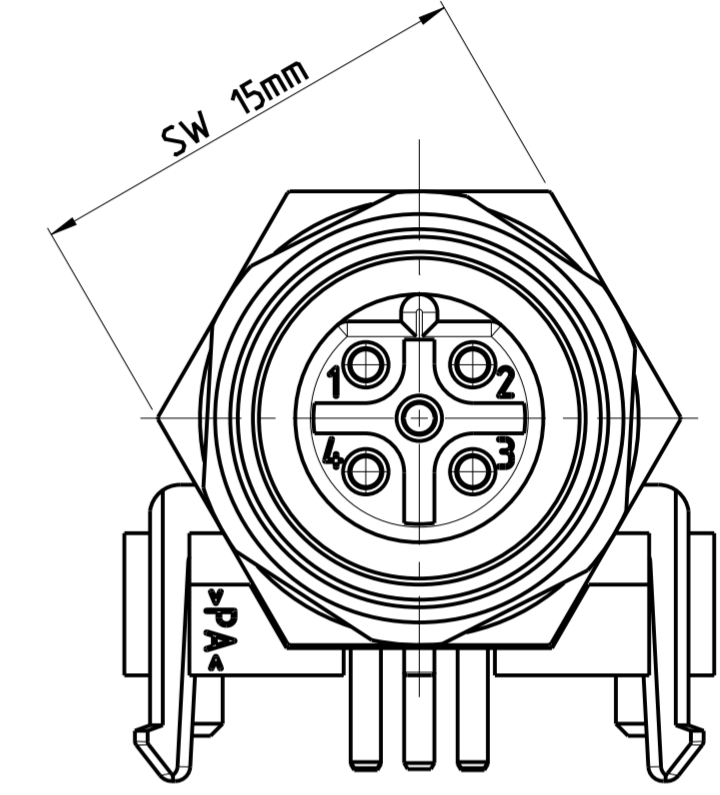
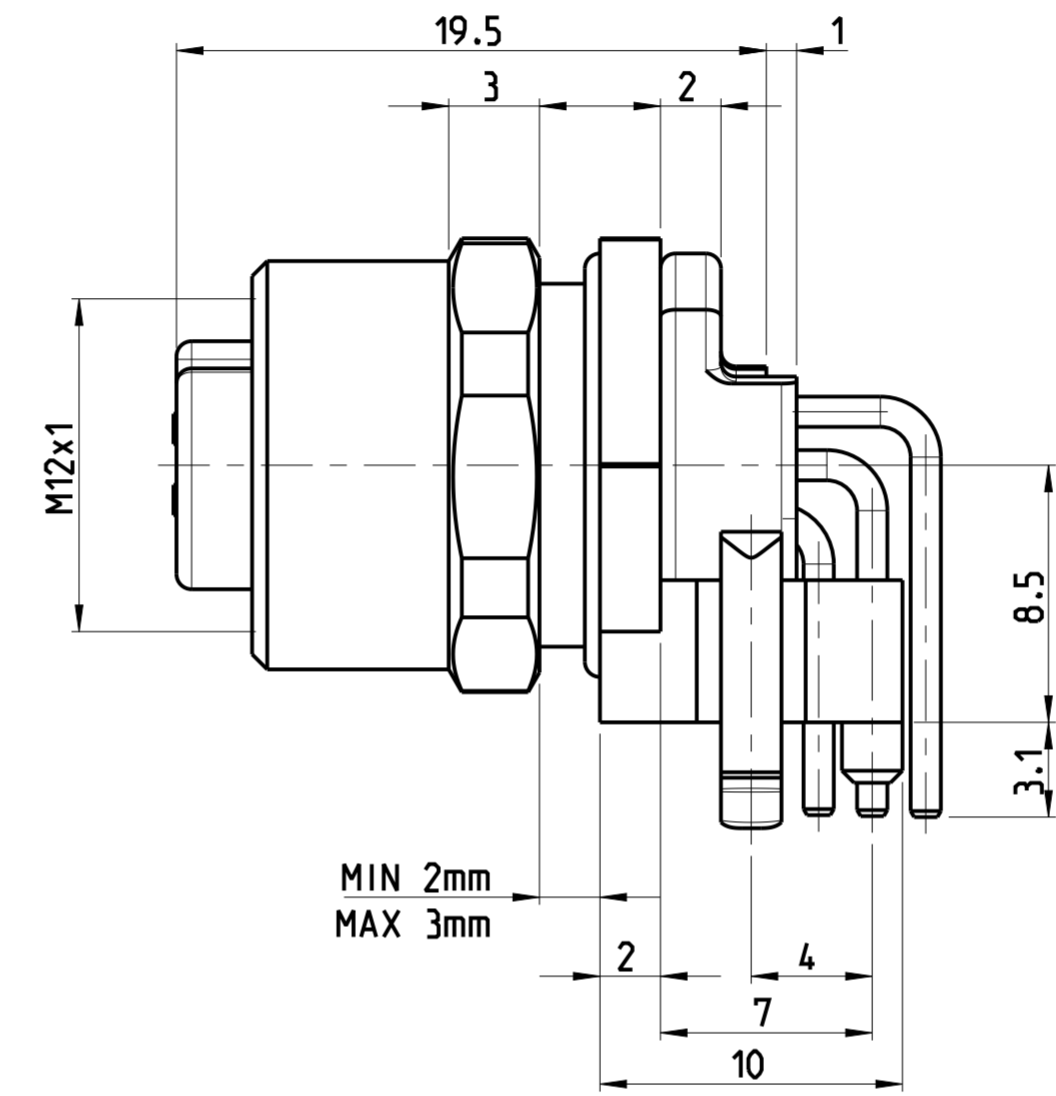
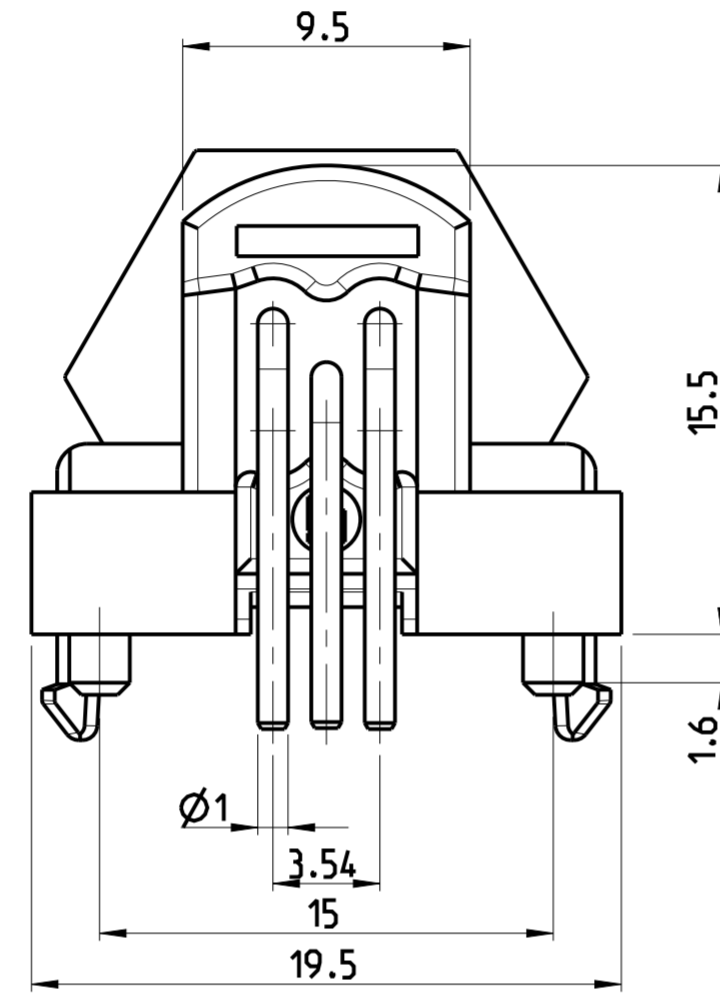
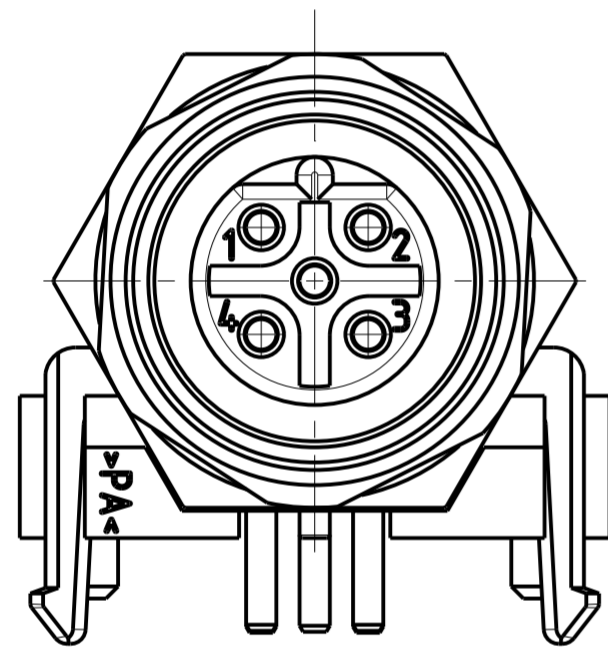
REVISIONS		DATE	DWN	APVD
ÄNDERUNGEN				
P	LTR	DESCRIPTION		
		BESCHREIBUNG		
A		NEW RELEASE	01DEC2014	CR JK

⚠ MATERIAL: ITEM NO. 1: HOUSING - CuZn (BRASS, NICKEL PLATED)
 ITEM NO. 2: CONTACT BODY - PA
 ITEM NO. 3: CONTACT - CuSn (BRONZE)
 CONTACT FINISH - Au (GOLD)

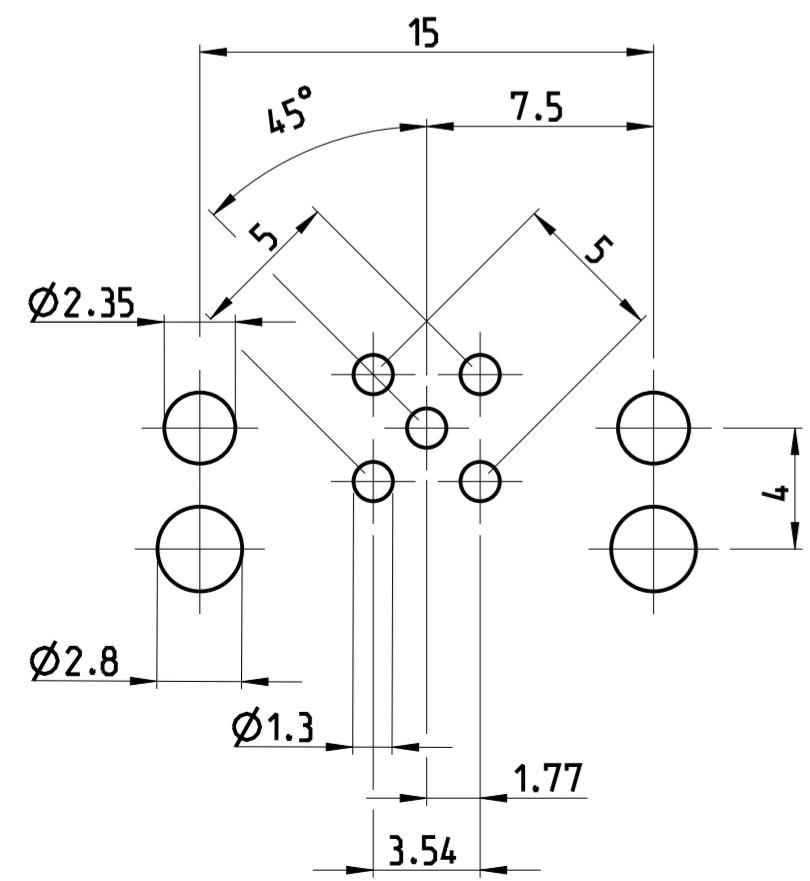
2 ALL DIMENSIONS ARE FOR NOMINAL REFERENCE ONLY UNLESS OTHERWISE STATED

PIN ARRANGEMENT
 B-CODING

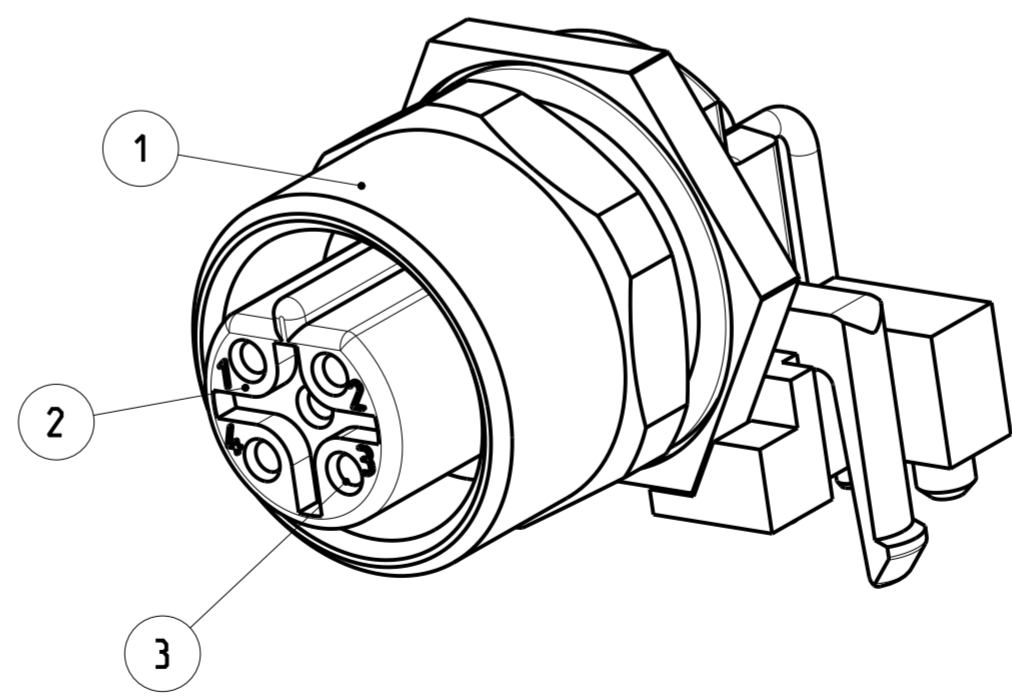
4-2172083-2



CONDUCTOR LAYOUT



TECHNICAL DATA		4-2172083-2
RATED VOLTAGE		125V
RATED IMPULSE VOLTAGE		1500V
POLLUTION DEGREE		3
OVERVOLTAGE CATEGORY		II
MATERIAL GROUP		II
RATED CURRENT		4A
VOLUME RESISTIVITY		≤ 3mΩ
DEGREE OF PROTECTION		IP68
UPPER TEMPERATURE		+85 °C
LOWER TEMPERATURE		+40 °C



DIESE ZEICHNUNG IST EIN KONTROLLIERTES DOKUMENT. BEMASSUNGEN UND TOLERANZEN GEMAESS GPS (ISO STANDARDS).		DWN YASHKUMAR 12SEP2014
THIS DRAWING IS A CONTROLLED DOCUMENT. DIMENSIONING AND TOLERANCING PER GPS (ISO STANDARDS).		CHK M. BRUBAKER 12SEP2014
DIMENSIONS: MASSSTÄBE: IT/IT		APVD M. BRUBAKER 12SEP2014
TOLERANCES UNLESS OTHERWISE SPECIFIED: ALLGEMEINTOLERANZEN		NAME M. BRUBAKER
0 PLC ±		PRODUCT SPEC 108-19483
1 PLC ±		APPLICATION SPEC 114-32127
2 PLC ±		WEIGHT -
3 PLC ±		Customer Drawing
4 PLC ±		SCALE MASSSTAB 4:1
ANGLES/INCL ±		SHEET BLATT 1 OF 1
FINISH/OBERFLÄCHE/FARBE		REV A

⚠	5	4-2172083-2
MATERIAL	NUMBER OF POLES	TE-PART-NO.



M12 RECEPTACLE CONNECTOR, PCB ASSEMBLY, ANGLED, UNSHIELDED, STAND OFF, B-CODED			
SIZE A2	CAGE CODE 00779	DRAWING NO. G-2172083	RESTRICTED TO MUR FÜR -
KUNDENZEICHNUNG		SCALE MASSSTAB 4:1	SHEET BLATT 1 OF 1

SIZE ISO 14405 (E)

单击下面可查看定价，库存，交付和生命周期等信息

[>>TE Connectivity\(泰科\)](#)