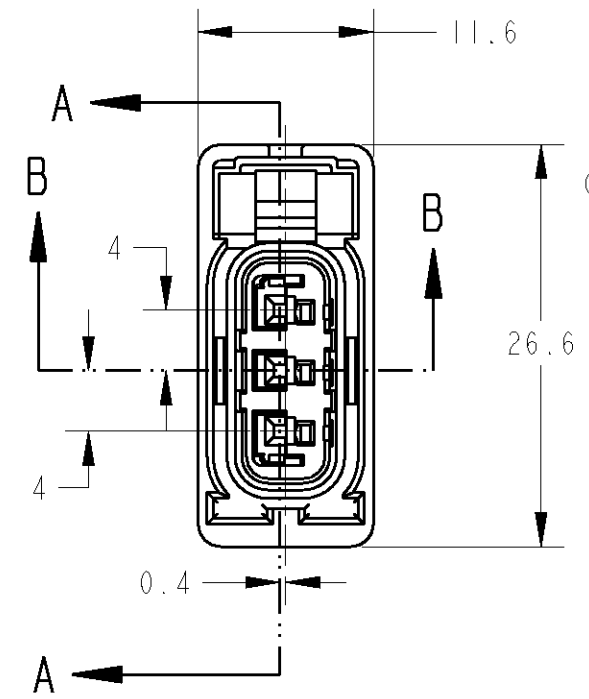
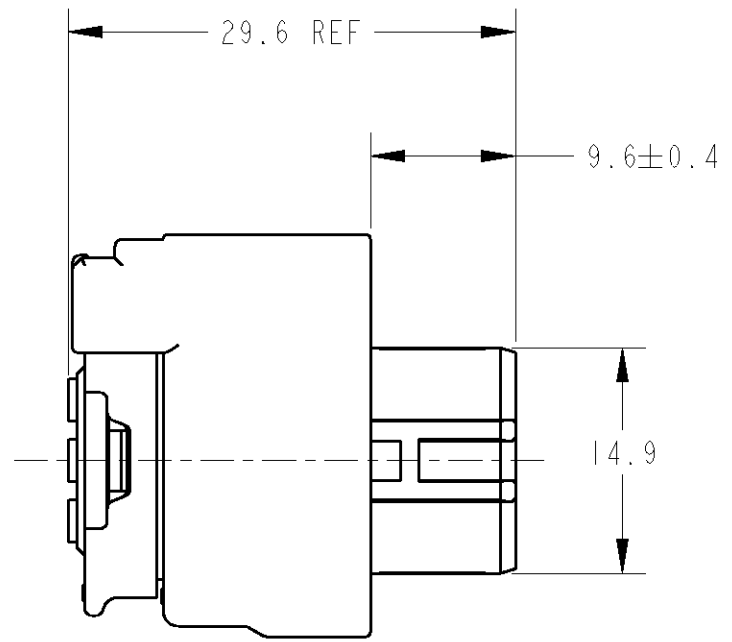
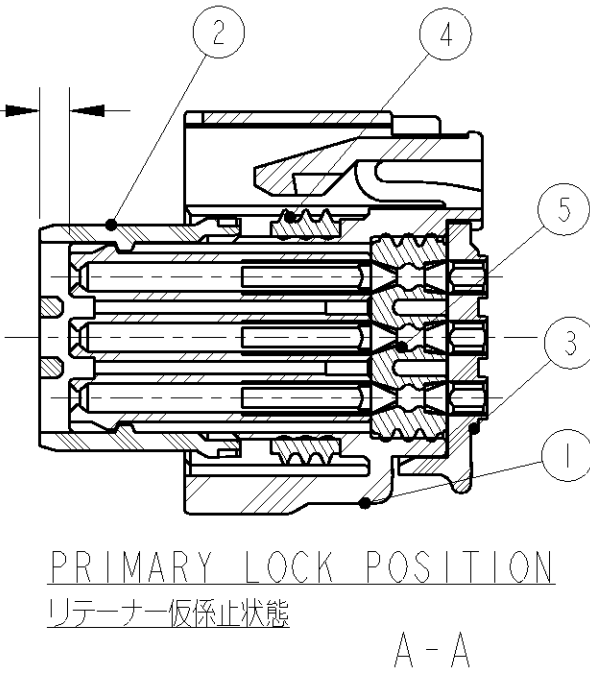


THIS DRAWING IS UNPUBLISHED. RELEASED FOR PUBLICATION 20
 © COPYRIGHT 20 BY TYCO ELECTRONICS CORPORATION. ALL RIGHTS RESERVED.

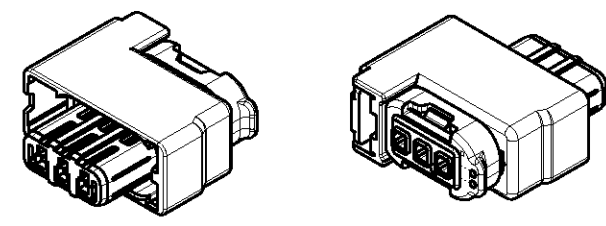
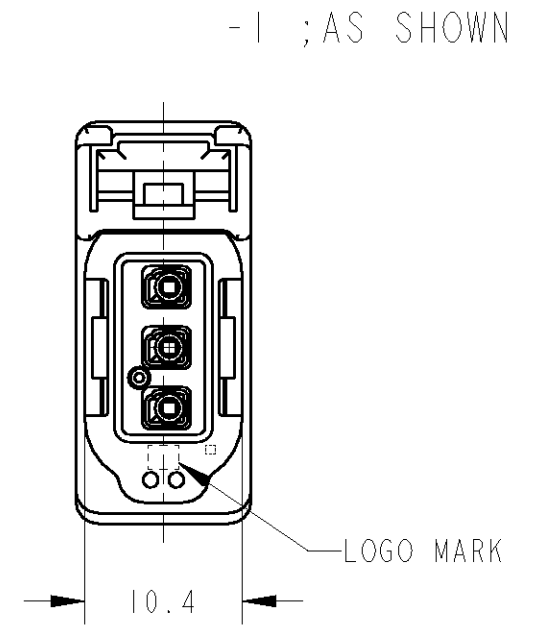
LOC	DIST	REVISIONS						
		P	LTR	DESCRIPTION	ECN	DATE	DWN	APVD
J	-	0		RELEASED	FJA0-0602-04	02NOV04	ET	YF
		A		REVISED	ECR-08-016737	03JUL08	TS	KB



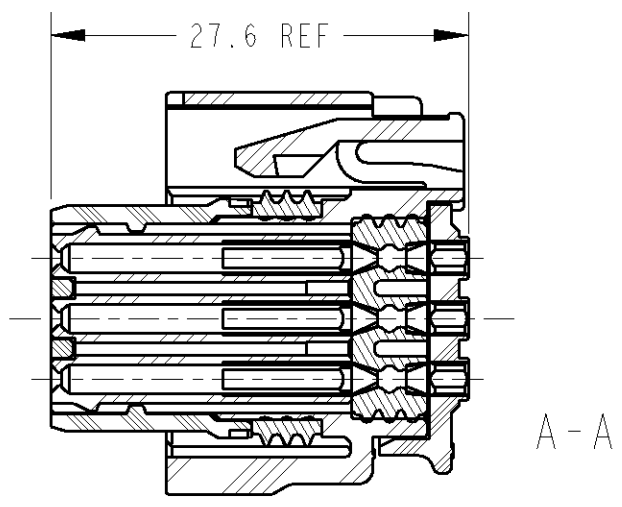
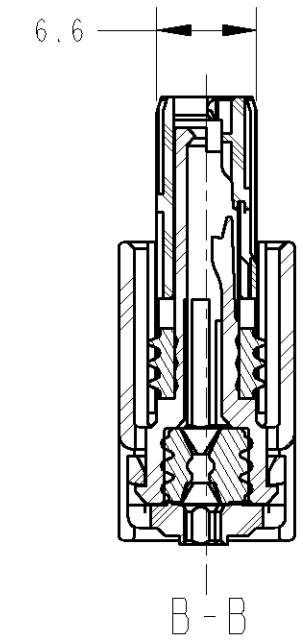
OPERATED STROKE
操作ストローク



PRIMARY LOCK POSITION
リテーナー仮係止状態



SCALE 1:1



SECONDARY LOCK POSITION
リテーナー本係止状態

1. APPLIED TERMINAL ; PN968221-1 (025SIZE)
2. INSTRUCTION SHEET; 411-78143
3. RETAINER SHOULD BE SET TO THE PRE-ASSEMBLY POSITION WITHIN THE PLUG HOUSING WHEN SHIPPED TO THE CUSTOMER.

1. 適用端子型番; PN968221-1 (025サイズ)
2. 取扱説明書; 411-78143
3. プラグハウジングにリテーナーを仮係止して出荷する。

QTY	COLOR	DESCRIPTION	ITEM NO.
個数	色	名称	アイテム番号
1	INDIAN RED	WIRE SEAL	5
1	INDIAN RED	SEAL RING	4
1	YELLOW	WIRE SEAL COVER	3
1	NATURAL	RETAINER	2
1	BLACK	PLUG HOUSING	1

WIRE RANGE 抱合電線断面積	0.5 SQ	INSULATION DIA 被覆外径	1.6~1.7 DIA
Tyco Electronics Corporation Kawasaki, Japan		NAME 名称	
DWN E.TAKIZAWA 27OCT04 CHK Y.NOGUCHI 27OCT04 APVD Y.FUJIIWALA 02NOV04		3POSITIONS PLUG ASSEMBLY CLEAN BODY MQS CONNECTOR	
SIZE	A3	CAGE CODE	00779
DRAWING NO	C=1717964		RESTRICTED TO
WEIGHT	5.0 g		SCALE
CUSTOMER DRAWING		尺度	2:1
		SHEET	1 OF 1
		REV	A

DIMENSIONS: 単位: 毫 mm		TOLERANCES UNLESS OTHERWISE SPECIFIED: 一般公差 ±0.3 0-PLC ± 1-PLC ±0.1 2-PLC ±0.01 3-PLC ±0.001 4-PLC ±0.0001 ANGLES ±3'00"	
		FINISH 仕上 SEE TABLE COLOR 色	
MATERIAL 材料		PBT SILICONE	

单击下面可查看定价，库存，交付和生命周期等信息

[>>TE Connectivity\(泰科\)](#)