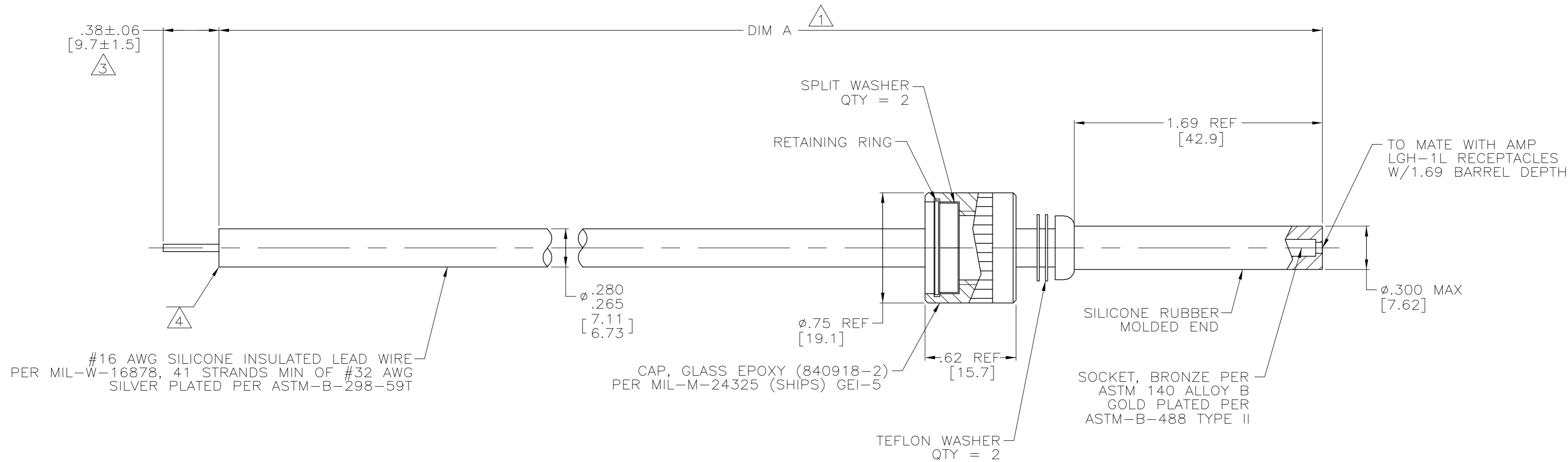


THIS DRAWING IS UNPUBLISHED. RELEASED FOR PUBLICATION - .N/A .
 © COPYRIGHT N/A BY TYCO ELECTRONICS CORPORATION. ALL RIGHTS RESERVED.

LOC	DIST	REVISIONS					
DF	S5	P	LTR	DESCRIPTION	DATE	DWN	APVD
		G		REV PER ECO-05-002582	06-05	AA	DE

PART NUMBER	DIM A	REMARKS
849310-1	12.00 [304.8]	OBSOLETE
849310-2	18.30 [464.8]	OBSOLETE
849310-3	23.80 [604.5]	③
849310-4	28.00 [711.2]	③
849310-5	39.00 [990.6]	③
849310-6	26.00 [660.4]	③
849310-7	25.00 [635.0]	OBSOLETE
5-849310-3	23.80 [604.5]	④

- ① TOLERANCE OF LEAD LENGTH:
UP TO 24 INCHES [609.6] = ±.12 [3.0]
24 INCHES [609.6] & UP = 1%
- ② COLOR OF LEAD WIRE:
WHITE UNLESS OTHERWISE SPECIFIED.
- ③ PIGTAIL SOLDER DIPPED.
- ④ INSULATION CUT TO LENGTH, BUT NOT REMOVED.



THIS DRAWING IS A CONTROLLED DOCUMENT.		DWN DICK STONE 19-APR-78	Tyco Electronics Corporation Harrisburg, Pa 17105-3608	
DIMENSIONS: INCHES		CHK J.W.SHAW 05-FEB-81	NAME J.W.SHAW	
TOLERANCES UNLESS OTHERWISE SPECIFIED:		APVD J.W.SHAW 05-FEB-81	PRODUCT SPEC	
0 PLC ± - 1 PLC ± - 2 PLC ± .04 3 PLC ± .015 4 PLC ± - ANGLES ± -		APPLICATION SPEC		
MATERIAL SEE CALLOUTS		FINISH SEE CALLOUTS	WEIGHT -	RESTRICTED TO -
CUSTOMER DRAWING		SCALE 2:1	SHEET 1 OF 1	REV G

单击下面可查看定价，库存，交付和生命周期等信息

[>>TE Connectivity\(泰科\)](#)