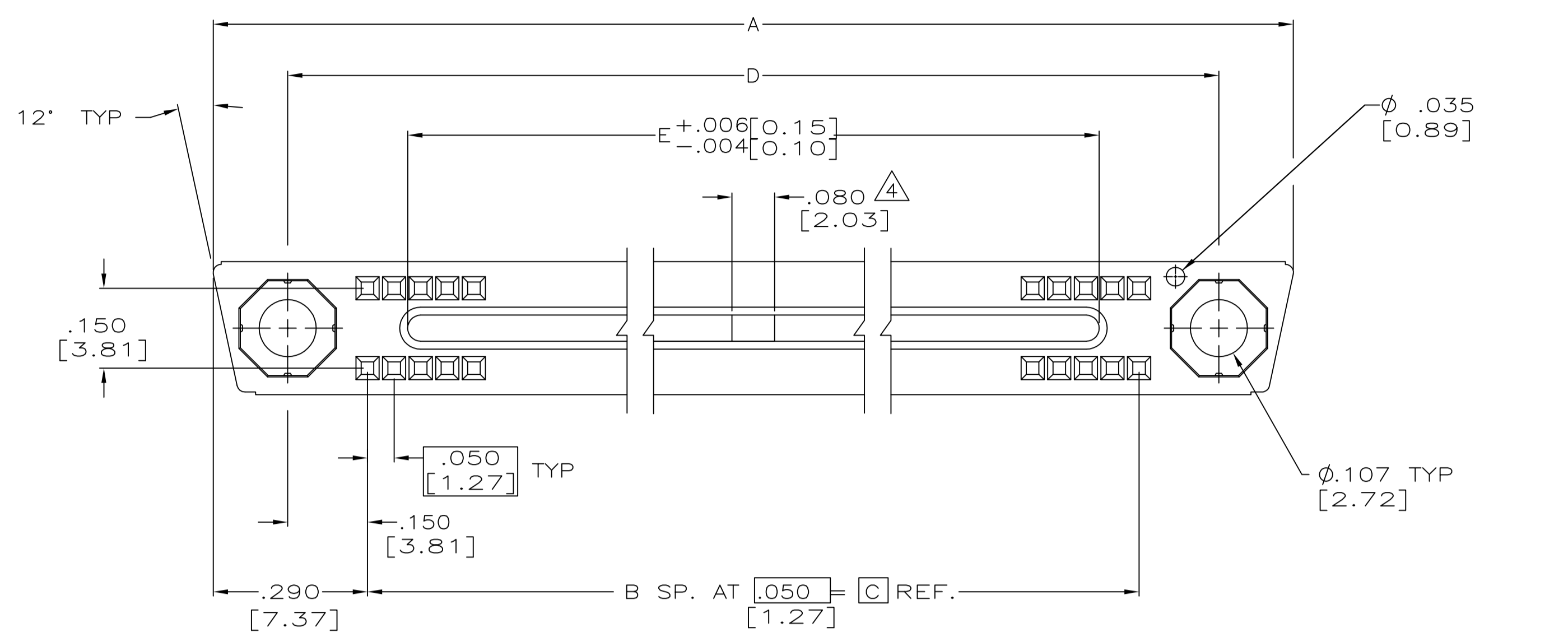
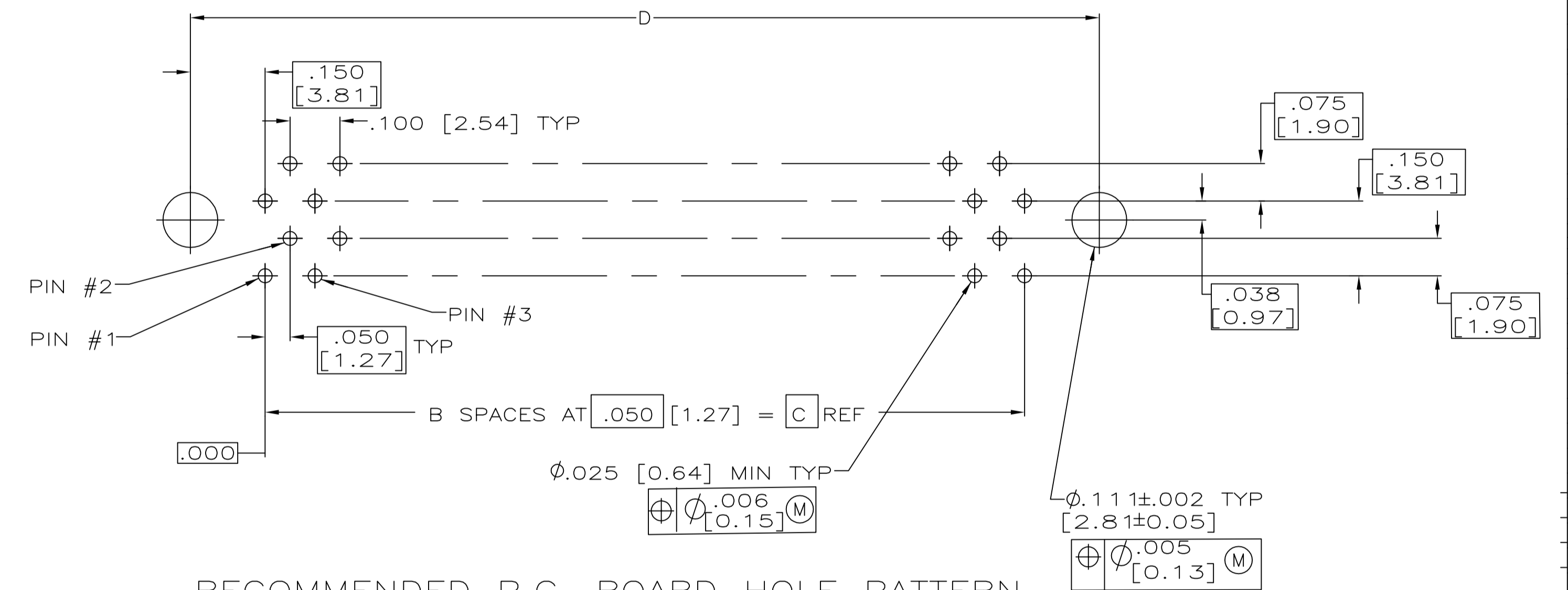
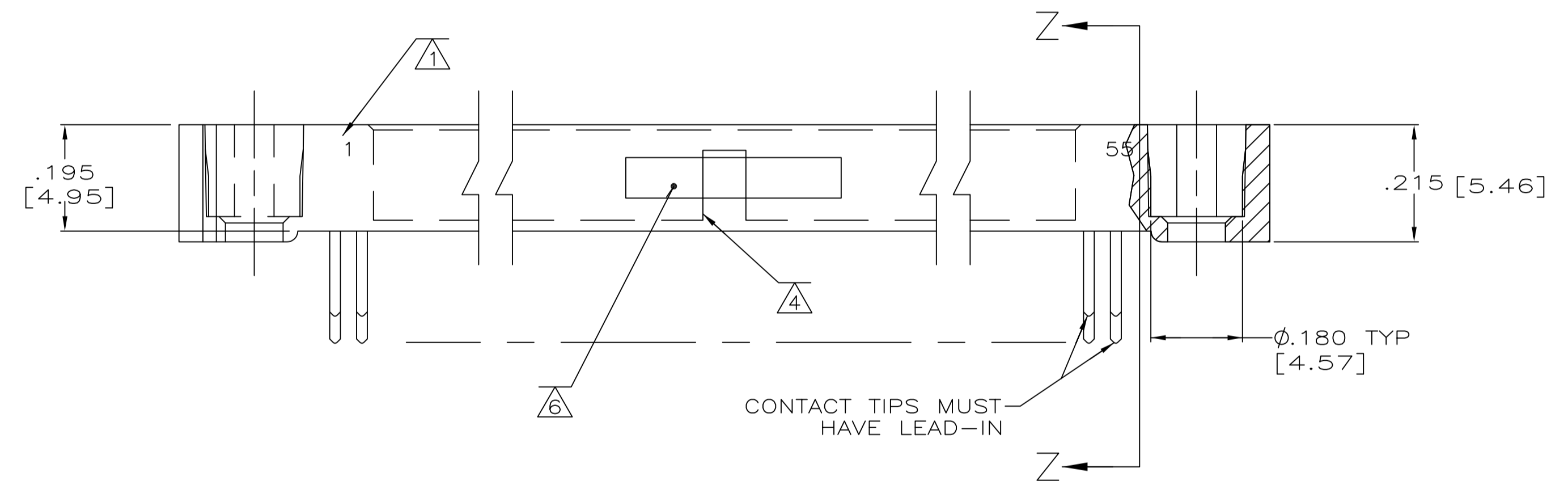


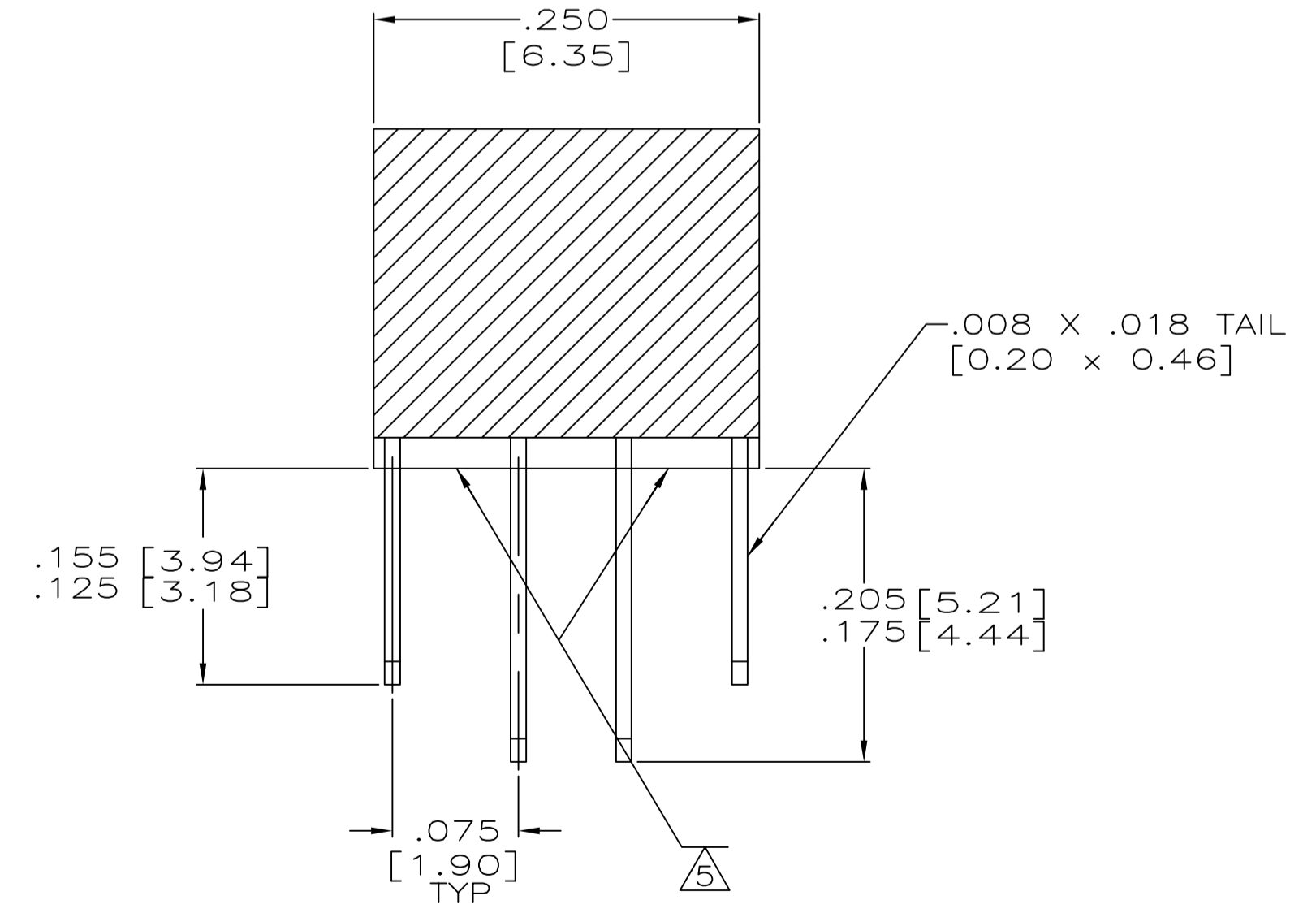
| REVISIONS | | | | |
|-----------|-----|---------------------------|-----------|--------|
| P | LTR | DESCRIPTION | DATE | OWN |
| E | | REVISED PER ECO-16-017894 | 26APR2017 | PHM CT |



- △ 1 NUMBERS INDICATING END POSITIONS MARKED THIS SIDE ONLY.
- 2. MEETS ALL APPLICABLE REQUIREMENTS OF MIL-C-55302.
- △ 3 HOUSING MATERIAL: LIQUID CRYSTAL POLYMER PER MIL-M-24519, GLCP-30F; COLOR: GRAY.
- △ 4 BRIDGE IN GROOVE N/A FOR 50 POSITION OR SMALLER CONNECTOR.
- △ 5 EPOXY IS ADDED TO BOTTOM OF HOUSING FOR SEALING & INCREASED CONTACT RETENTION.
- △ 6 AMP, AMP PART NO., CUSTOMER MARKING AND DATE CODE MARKED IN THIS APPROXIMATE AREA.



RECOMMENDED P.C. BOARD HOLE PATTERN (CONNECTOR SIDE)



SECTION Z-Z
SCALE 10:1

| REMARKS | CUSTOMER MARKING | CAVITY ID | DIM E | DIM D | DIM C | B | DIM A | POSN. |
|---------|------------------|-----------|---------------|---------------|---------------|----|---------------|--------------|
| △ 6 | 990430-6 07148 | 1 - 30 | 1.300 [33.02] | 1.750 [44.45] | 1.450 [36.83] | 29 | 2.040 [51.82] | 60 443935-6 |
| △ 5 | 990430-4 07148 | 1 - 55 | 2.550 [64.77] | 3.000 [76.20] | 2.700 [68.58] | 54 | 3.290 [83.57] | 110 443935-5 |
| △ 4 | 990430-5 07148 | 1 - 50 | 2.300 [58.42] | 2.750 [69.85] | 2.450 [62.23] | 49 | 3.040 [77.22] | 100 443935-4 |
| △ 3 | 990430-1 07148 | 1 - 20 | .800 [20.32] | 1.250 [31.75] | .950 [24.13] | 19 | 1.540 [39.12] | 40 443935-3 |
| △ 2 | 990430-3 07148 | 1 - 40 | 1.800 [45.72] | 2.250 [57.15] | 1.950 [49.53] | 39 | 2.540 [64.52] | 80 443935-2 |
| △ 1 | 990430-2 07148 | 1 - 25 | 1.050 [26.67] | 1.500 [38.10] | 1.200 [30.48] | 24 | 1.790 [45.47] | 50 443935-1 |

THIS DRAWING IS A CONTROLLED DOCUMENT.

OWN: C.C. THOMAS 2-25-97
 DWN: D. GUTTER 2-26-97
 APVD: D. GUTTER 2-26-97

TE Connectivity
STE

RECEPTACLE ASS'Y, MINI-BOX WITH LOW FORCE CONTACTS

SIZE: A1 CAGE CODE: 00779 DRAWING NO: 443935
 SCALE: 5:1 SHEET: 1 OF 1 REV: E

MATERIAL: HOUSING: △
 FINISH: 000050 GOLD IN CONTACT AREA, TIN-LEAD ON TAILS
 WEIGHT: CUSTOMER DRAWING

单击下面可查看定价，库存，交付和生命周期等信息

[>>TE Connectivity\(泰科\)](#)