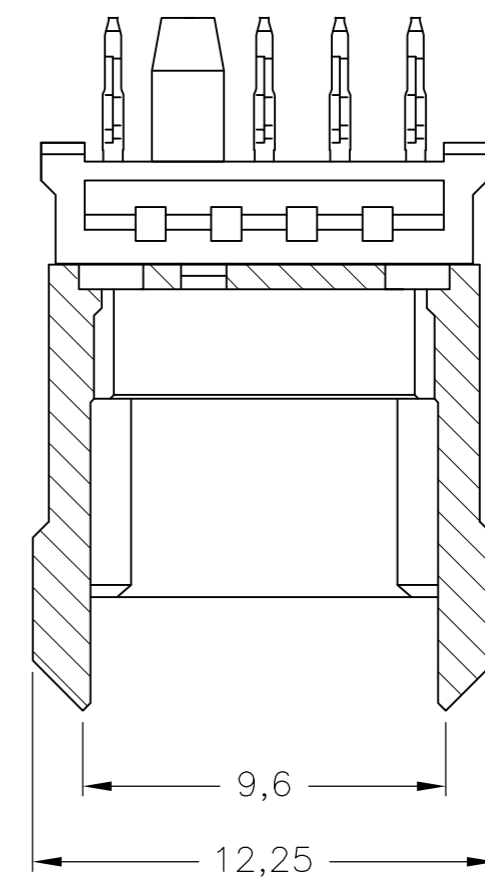
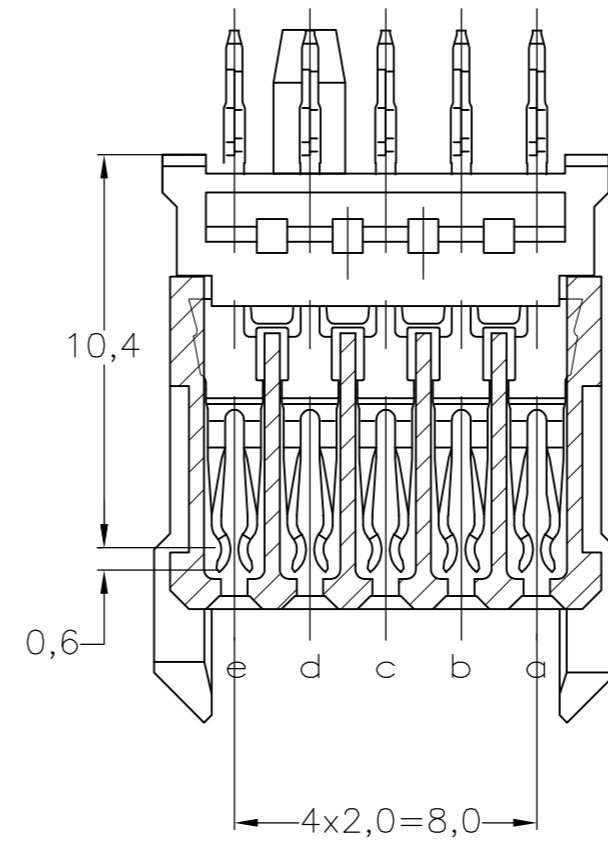
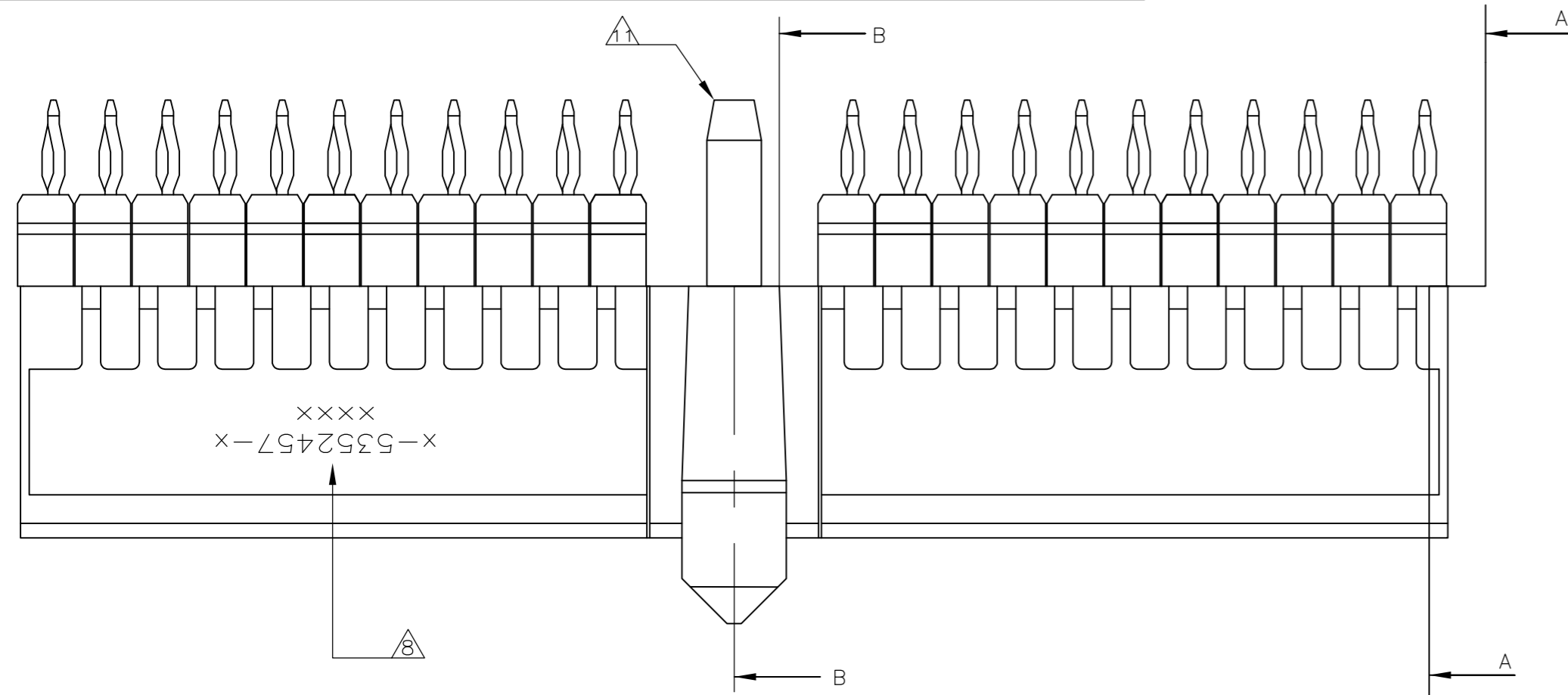


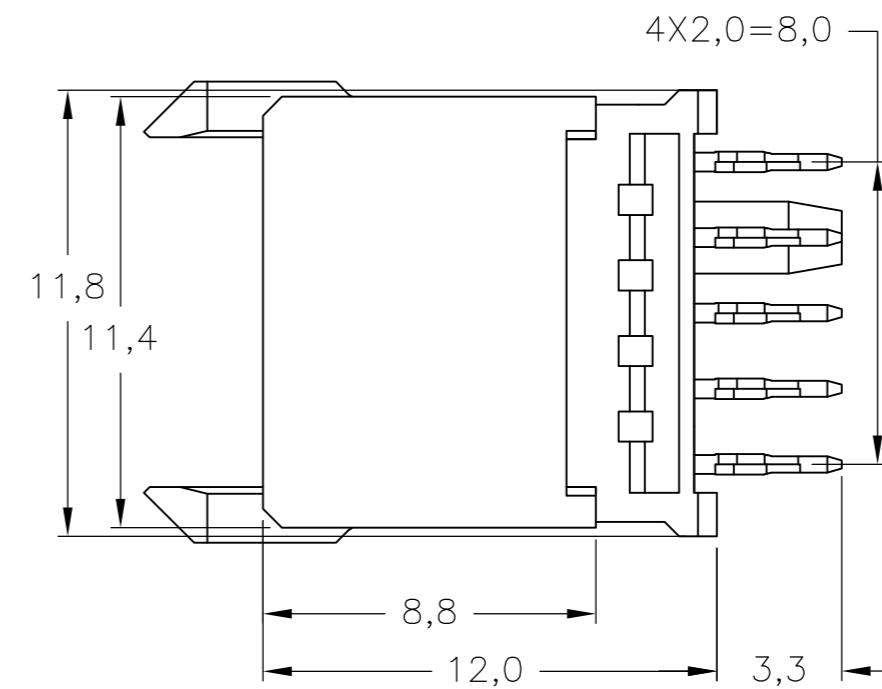
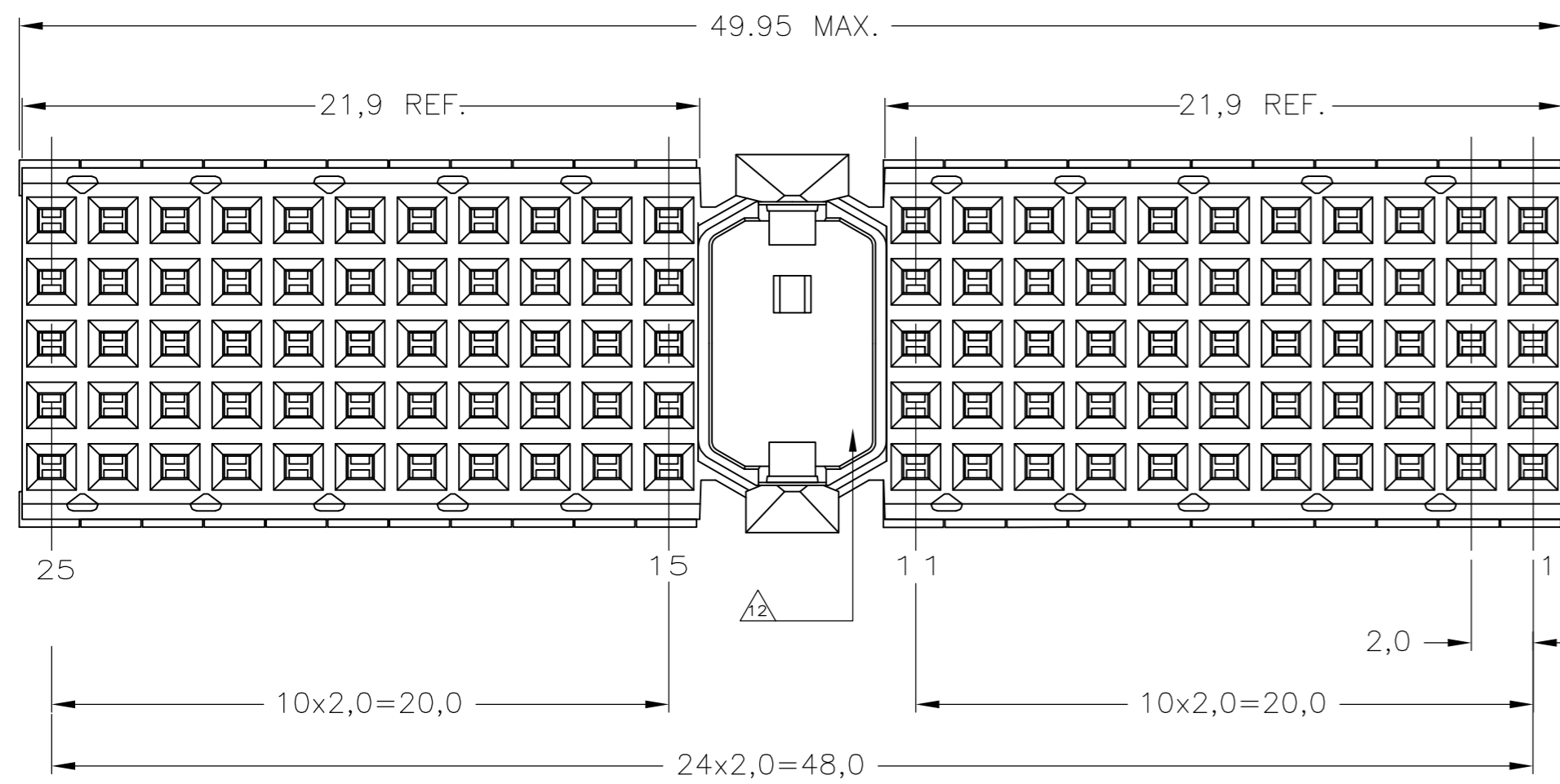
THIS DRAWING IS UNPUBLISHED. RELEASED FOR PUBLICATION
 © COPYRIGHT - By - ALL RIGHTS RESERVED.

LOC		DIST		REVISIONS			
P	LTR	DESCRIPTION	DATE	DWN	APVD		
	D	REVISED PER ECR ECR-11-009918	14MAY11	RC	CW		
	E	ECO-11-024491	13DEC11	SY	MQW		



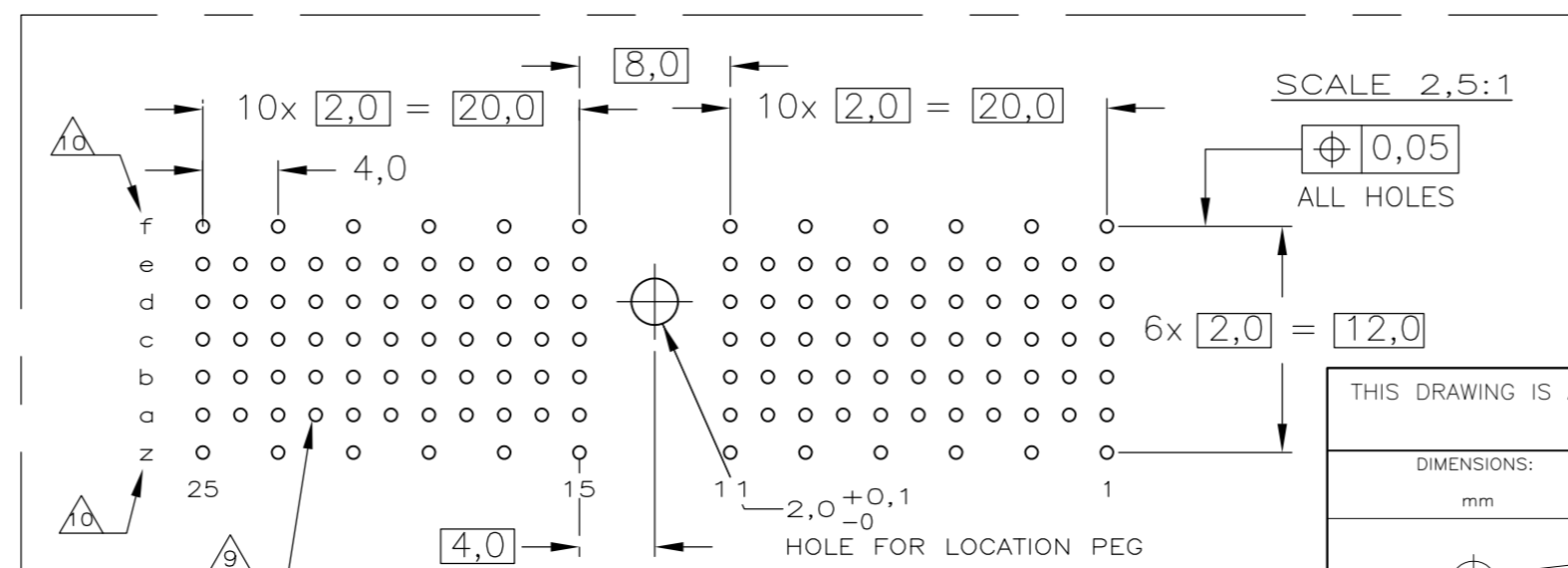
SECTION A-A

SECTION B-B



NOTES:

- ⚠ MATERIAL CONTACT; PHOSPHORBRONZE
MATERIAL HOUSING; GLASSFILLED POLYESTER
UL-RATING 94V0 (GRAY).
- ⚠ GENERAL PLATING SPECIFICATION: UNDERPLATING (ENTIRE CONTACT):
1,27µm NICKEL MIN. AND ACTION PIN: 0,5µm TIN MIN.
FOR PLATING OF MATING SURFACES SEE APPLICABLE SPECIFICATION
REFERENCE FOR EACH DASH NUMBER.
- ⚠ CONFORMS TO ALL TESTING ACCORDING IEC 61076-4-101
PERFORMANCE LEVEL 2.
- ⚠ CONFORMS TO ALL TESTING ACCORDING IEC 61076-4-101
PERFORMANCE LEVEL 1.
- ⚠ CONNECTOR TESTED AND QUALIFIED AGAINST TELCORDIA GR-1217-CORE
QUALITY LEVEL III, CENTRAL OFFICE APPLICATIONS.
- ⚠ CONNECTOR TESTED AND QUALIFIED AGAINST TELCORDIA GR-1217-CORE
QUALITY LEVEL III, UNCONTROLLED ENVIRONMENT APPLICATIONS.
- ⚠ CONNECTOR LUBRICATED WITH TELCORDIA GR-1217-CORE
APPROVED LUBRICANT.
- ⚠ CONNECTOR PRINTED WITH PARTNUMBER AND DATECODE.
- ⚠ PLATED-THROUGH HOLES AT 2x2mm SQUARE GRID (110 HOLES).
- ⚠ HOLES IN ROW f AND z FOR POSSIBLE FUTURE USE OF
GROUND RETURN SHIELD. (SHIELDS NOT YET TOOLED)
- ⚠ LOCATION PEG.
- ⚠ AREA RESERVED FOR KEYING PART (BASIC P.N.:100526).
- ⚠ OBSOLETE PARTS: OBSOLETE CIS STREAMLINING PER D.RENAUD/D.SINISI



COMPONENT SIDE AS SHOWN
 RECOMMENDED PCB-HOLE LAY-OUT

P.C.B. HOLE DIM. ACTION PIN
 FOR DETAILS SEE
 APPLICATION SPECIFICATION

⚠ OBSOLETE	⚠ ⚠ ⚠	⚠	1-5352457-9
	⚠ ⚠ ⚠	⚠	5352457-9
⚠ OBSOLETE	⚠ ⚠	⚠	5352457-4
	⚠ ⚠	⚠	5352457-1
FINISH		MATERIAL	
PARTNUMBER			

THIS DRAWING IS A CONTROLLED DOCUMENT.		DWN	25AUG2004	TE Connectivity
DIMENSIONS: mm		K.N.KIRAN		
TOLERANCES UNLESS OTHERWISE SPECIFIED:		CHK	27OCT2004	
6-PLC ±		APVD	27OCT2004	
1-PLC ±		NAME		
2-PLC ± ±0.2		Z-PACK 2mm HM TYPE A		
3-PLC ±		110 POS. VERTICAL FEMALE CONNECTOR		
4-PLC ±		WITH LOCATION PEG		
ANGLES ±		SIZE	CAGE CODE	
FINISH		DRAWING NO	RESTRICTED TO	
MATERIAL		108-19082		
		114-19029		
		WEIGHT		
		A2 00779	SCALE 5:1 SHEET 1 OF 1 REV E	
		CUSTOMER DRAWING		

单击下面可查看定价，库存，交付和生命周期等信息

[>>TE Connectivity\(泰科\)](#)