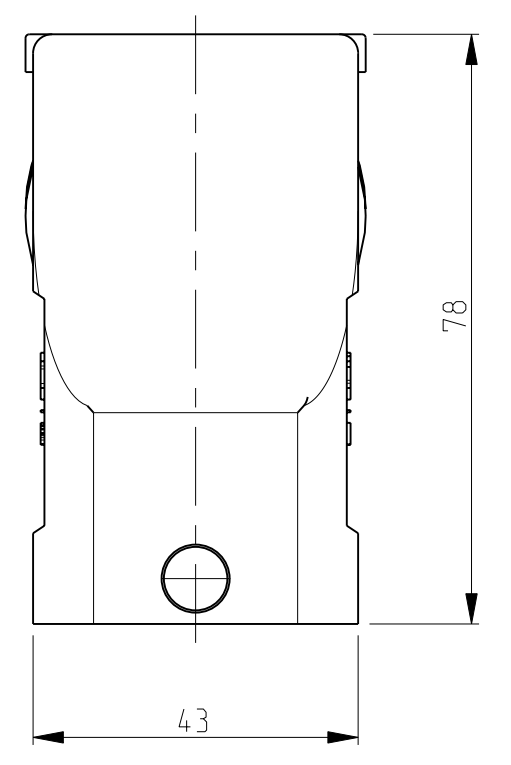
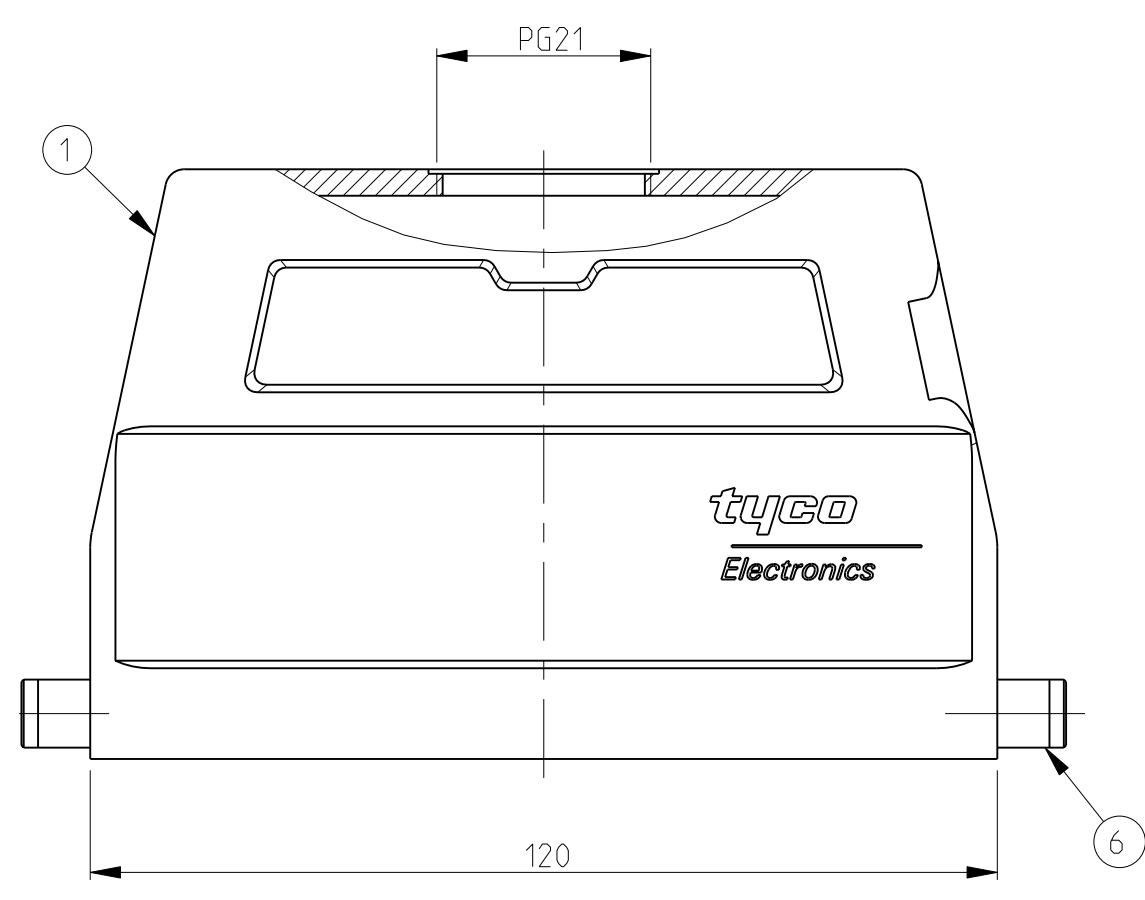
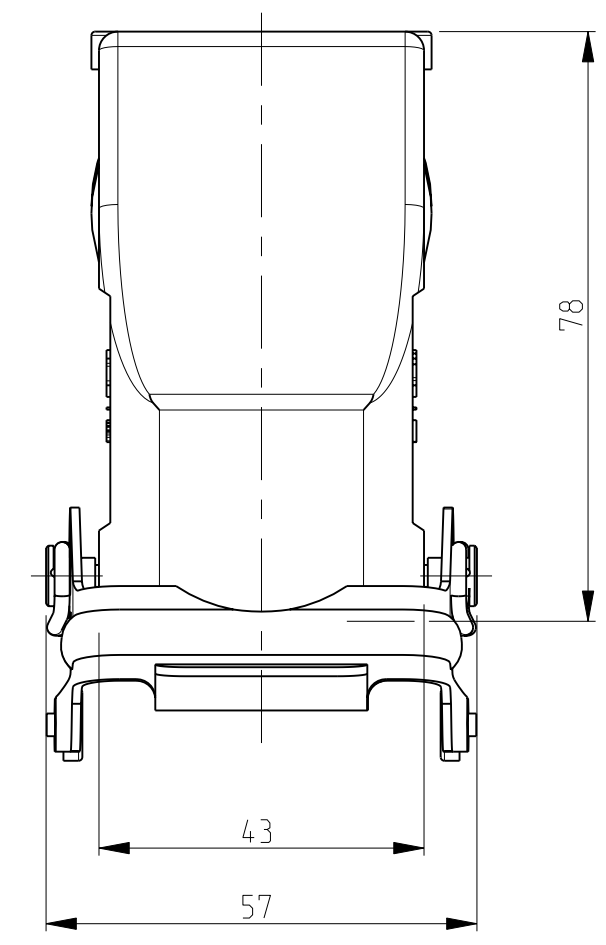
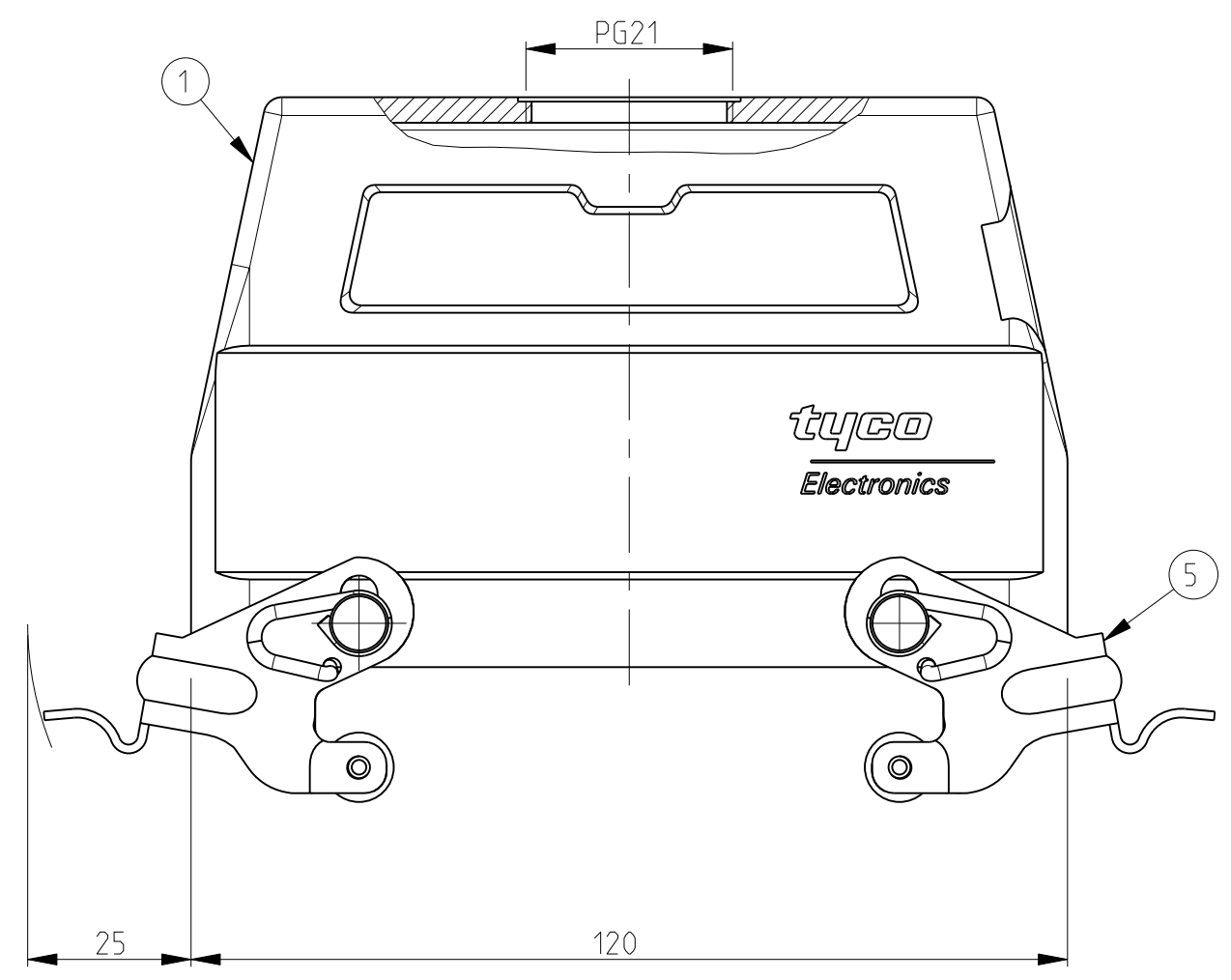
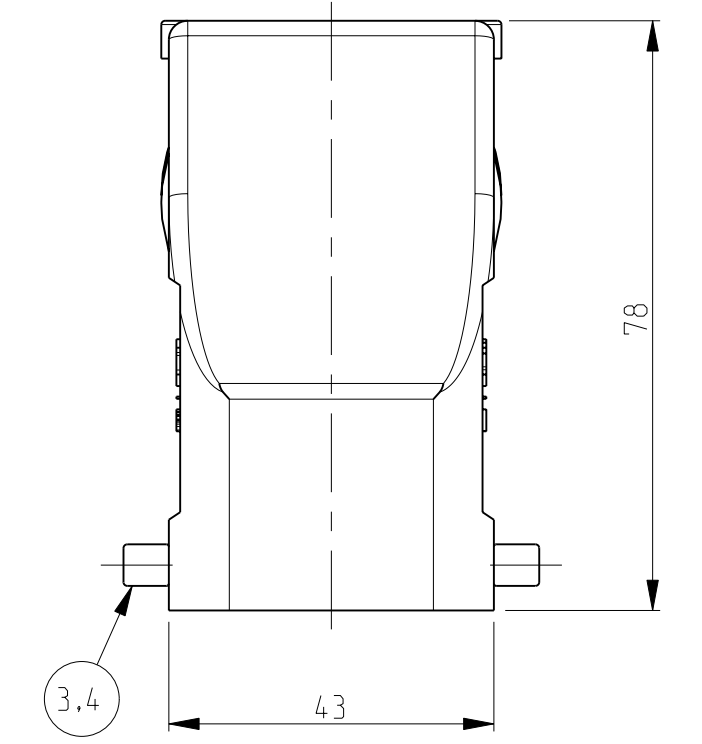
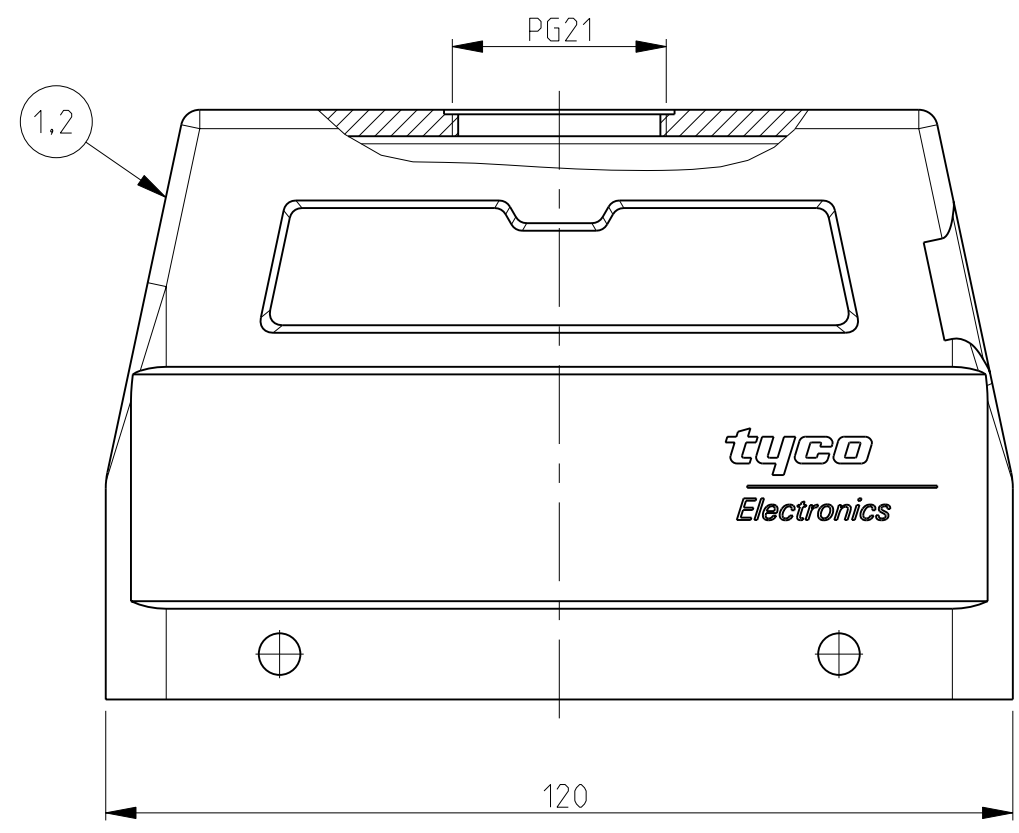
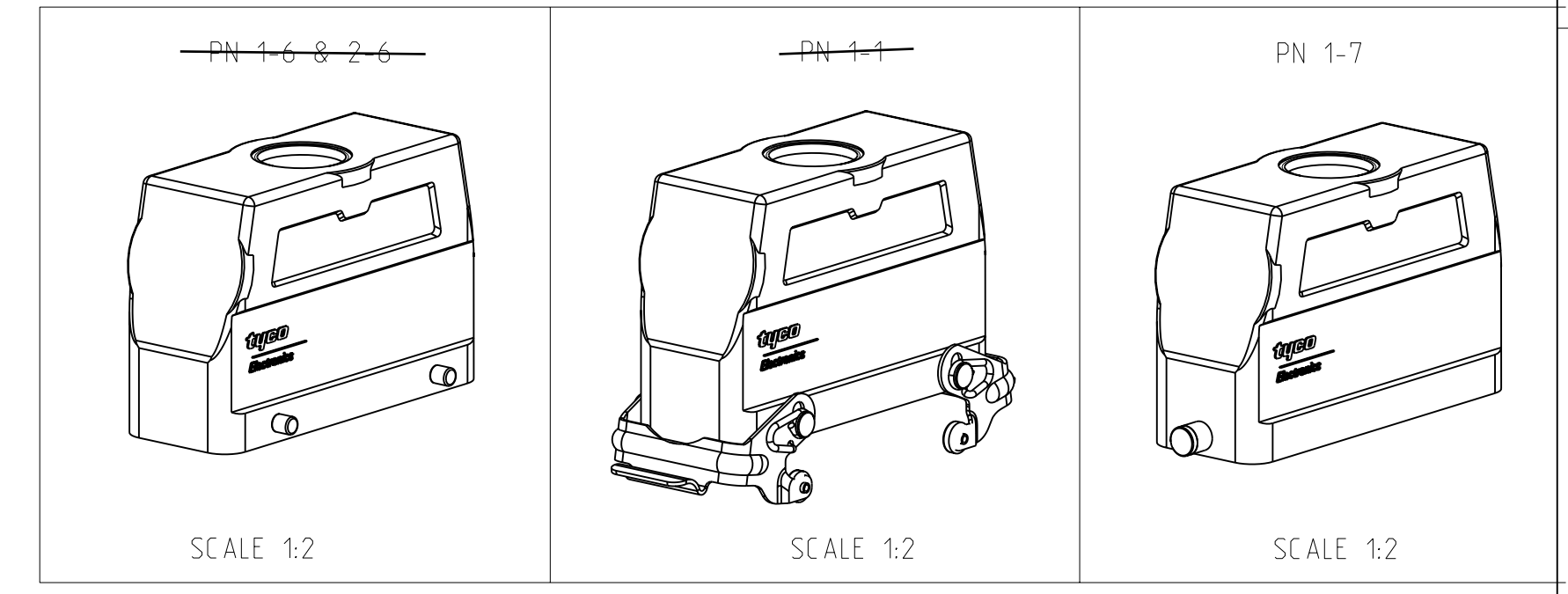


LOC	DIST	REVISIONS			
REV	DATE	DESCRIPTION	DATE	DWN	APVD
A5	20.02.2008	Released as per ECR-08-004369		SP	TS
A6	28MAR18	ECR-17-014011		SG	MKO



NOTES.

- 1 Material:Housing:Aluminium Diecasting Alloy
Seats:Neoprene
- 2 Surface-Powder Varnish Grey
-Aluminium Oxide +
Varnish Black
- 3 Varnish on the inside not necessary
- 4 Packaging
Quantity 5 Pieces in a box



QTY	REV	DESCRIPTION	MATERIAL	SURFACE	COLOR	ITEM NO	REMARKS
1	1	Hood HD.64.Pg2.21	Aluminium	-	Grey	8	
1	1	ZB-Central clip	Steel	Zinc plated	Blue	7	
2	2	LB-Clip bolt	Steel	Zinc plated	Blue	6	
2	2	VS-Side clip	Steel	Zinc plated	Blue	5	
4	4	VS-Clip bolt	Stainless steel	-	-	4	
4	4	VS-Clip bolt	Steel	Zinc plated	Blue	3	
1	1	Hood HD.64.Pg1.21	Aluminium	Aluminium oxide	Black	2	
1	1	Hood HD.64.Pg1.21	Aluminium	-	Grey	1	

DIMENSIONS: mm		TOLERANCES UNLESS SPECIFIED:		DWN 09.12.98 CHK Schneider APVD Schweiger		NAME Hood HD.64.Sto.1.21.G	
MATERIAL		FINISH		PRODUCT SPEC 108-74001 108-74003		RESTRICTED TO	
				APPLICATION SPEC 114-74001 114-74004		SCALE 1:1 SHEET 1 OF 1 REV. A6	
				WEIGHT		CUSTOMER DRAWING	

单击下面可查看定价，库存，交付和生命周期等信息

[>>TE Connectivity\(泰科\)](#)