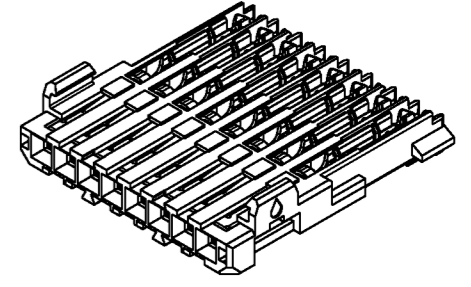
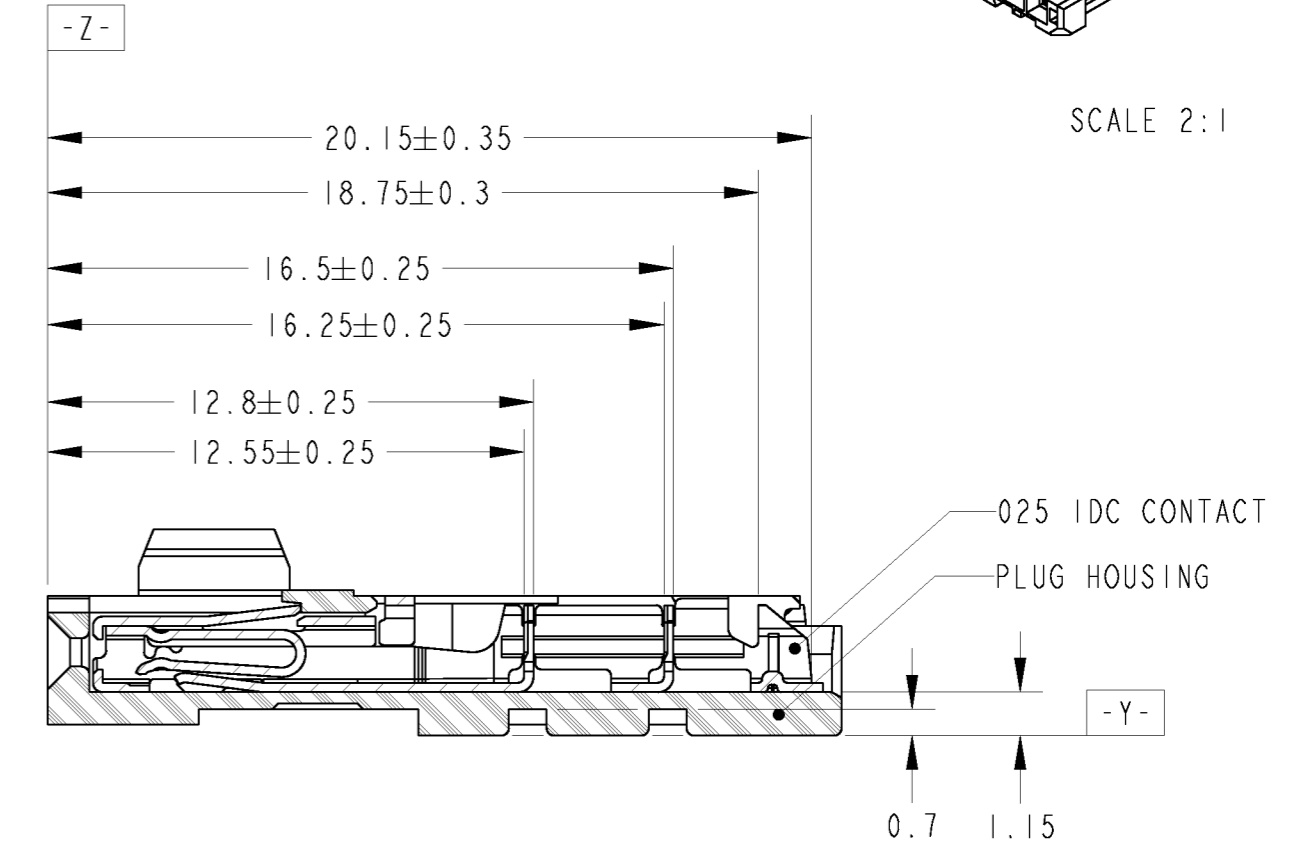
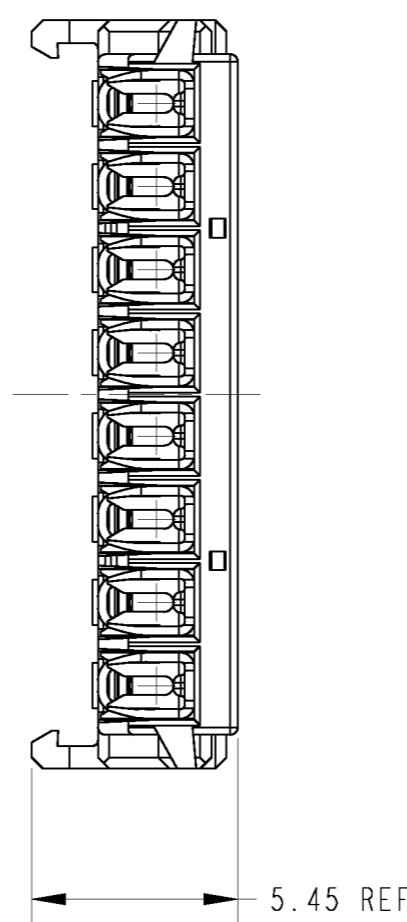
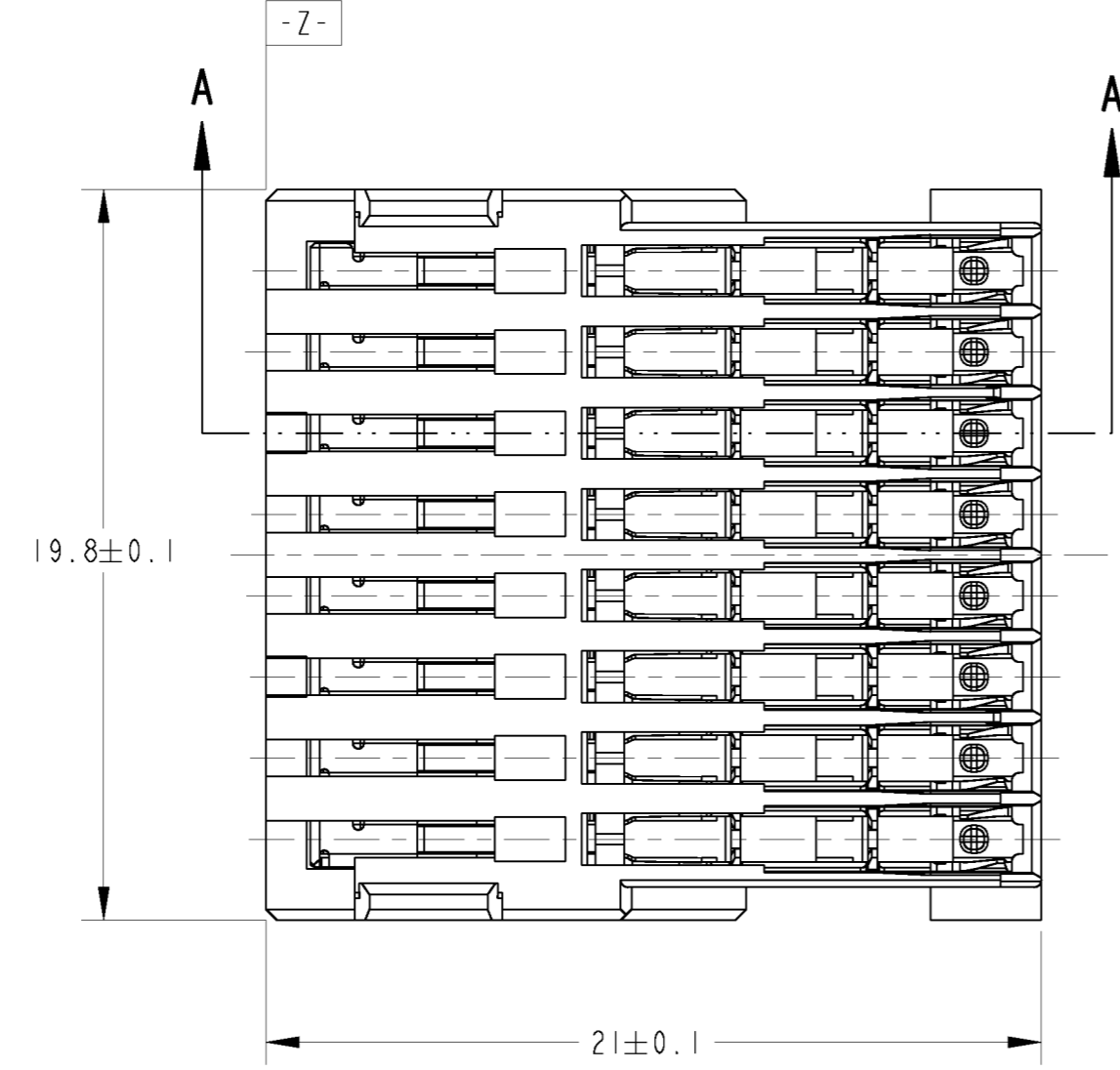
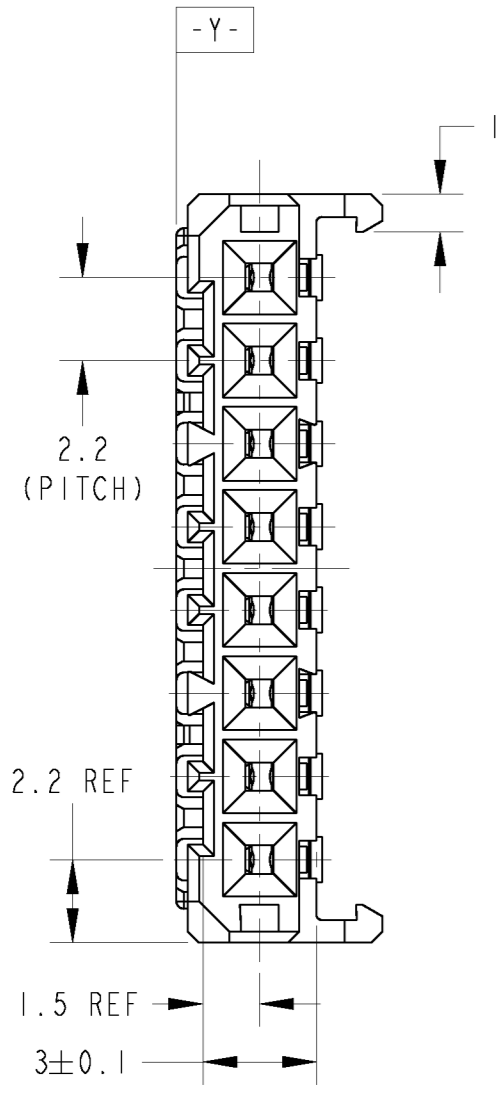


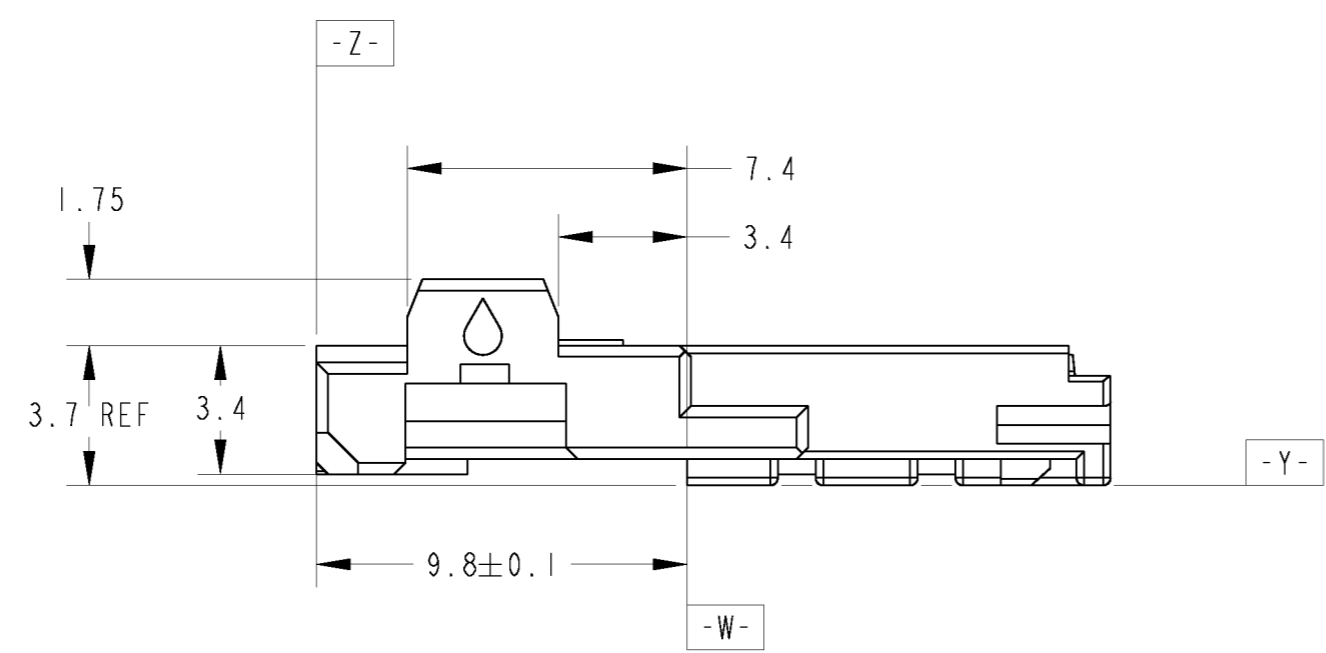
THIS DRAWING IS UNPUBLISHED. RELEASED FOR PUBLICATION 2011  
 (C) COPYRIGHT 2011 ALL RIGHTS RESERVED.

LOC	DIST	REVISIONS					
J		P	LTR	DESCRIPTION	DATE	DWN	APVD
		P		REVISED PER ECO-11-005140	05APR2011	RK	HMR



SCALE 2:1

断面 A-A



- 取扱説明書: 411-5912
  - 本品はロックハウジング型番 1318694を装着して使用する。
  - 嵌合相手型番: 1318382
1. INSTRUCTION SHEET: 411-5912  
 2. PLUG HOUSING MUST BE USED WITH LOCK HOUSING  
 P/N: 1318694  
 3. PART NUMBER OF HOUSINGS TO BE MATED: 1318382

NATURAL	1318690-1
HOUSING COLOR	PART NUMBER

THIS DRAWING IS A CONTROLLED DOCUMENT.		DWN S. AMEMIYA	22FEB00	 TE Connectivity	
DIMENSIONS: 単位: 英 mm		CHK N. SAI	22FEB00		
TOLERANCES UNLESS OTHERWISE SPECIFIED: 一般公差: ±0.3		APVD N. SAI	22FEB00		
0-PLC ± 1-PLC ± 2-PLC ± 3-PLC ± 4-PLC ± ANGLES ±3°		PRODUCT SPEC 108-5660	APPLICATION SPEC 114-5276		
MATERIAL HSG: PBT CONT: Cu Alloy		WEIGHT 2.5g		SIZE A2	CAGE CODE 00779
FINISH HSG: SEE TABLE CONT: POST TIN		CUSTOMER DRAWING		DRAWING NO. C-1318690	
		SCALE 5:1		RESTRICTED TO	
		SHEET 1 OF 1		REV P	

单击下面可查看定价，库存，交付和生命周期等信息

[>>TE Connectivity\(泰科\)](#)