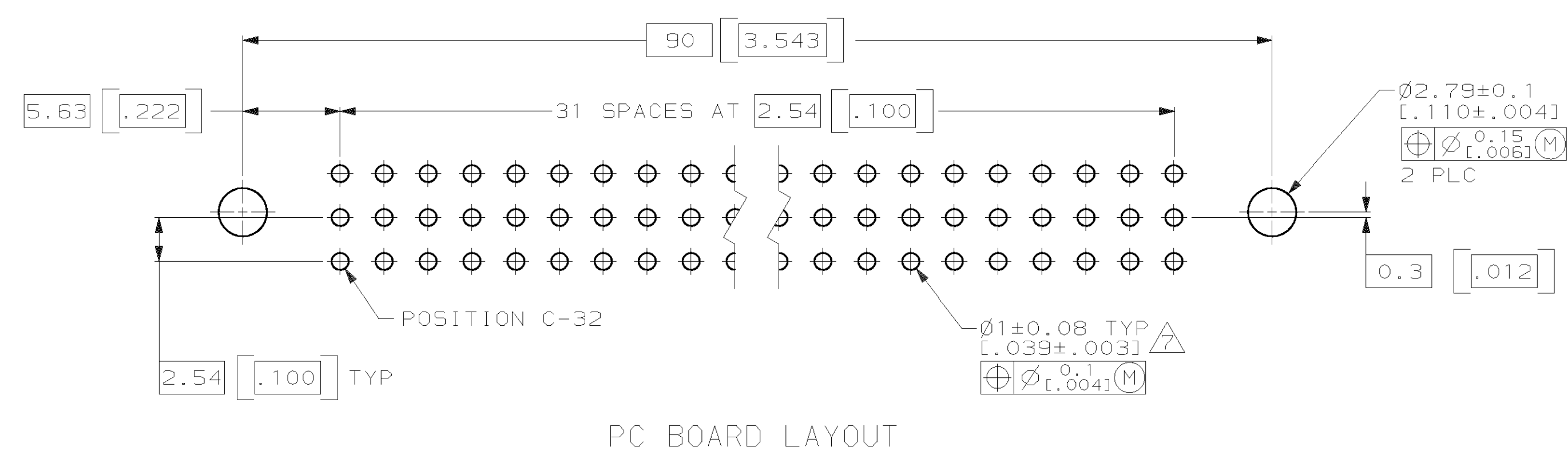
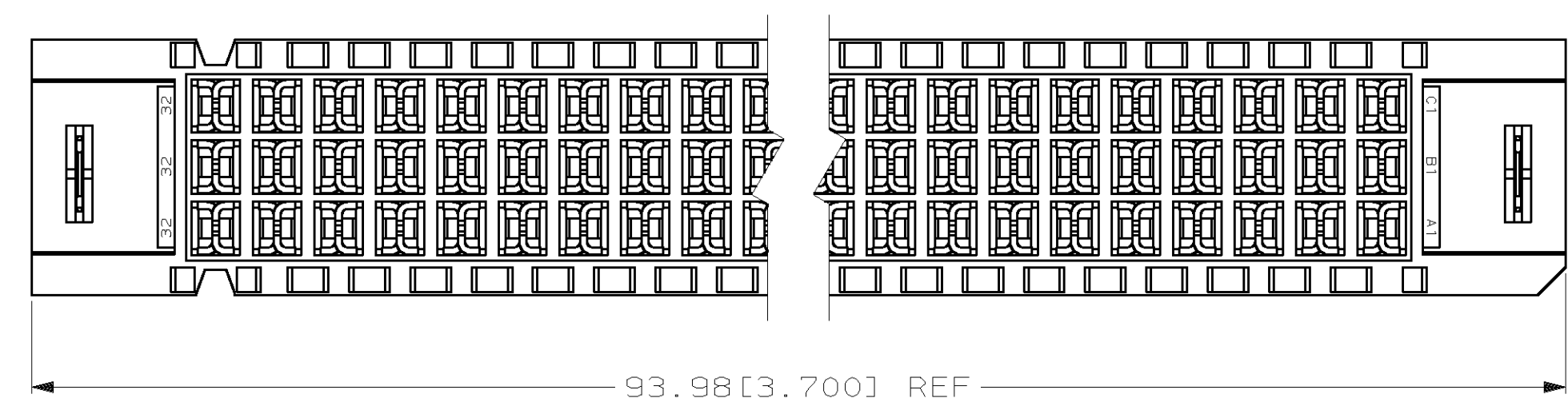
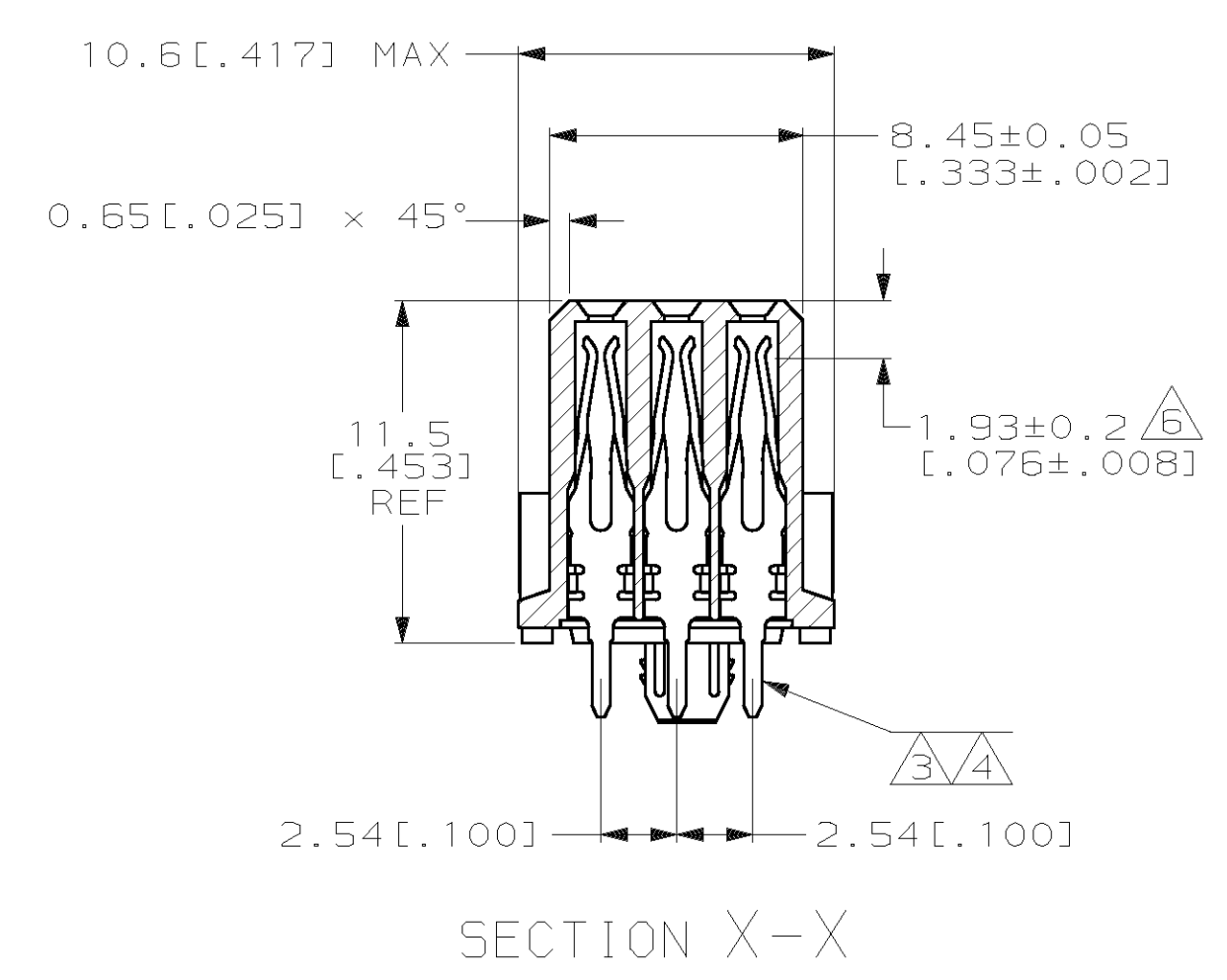
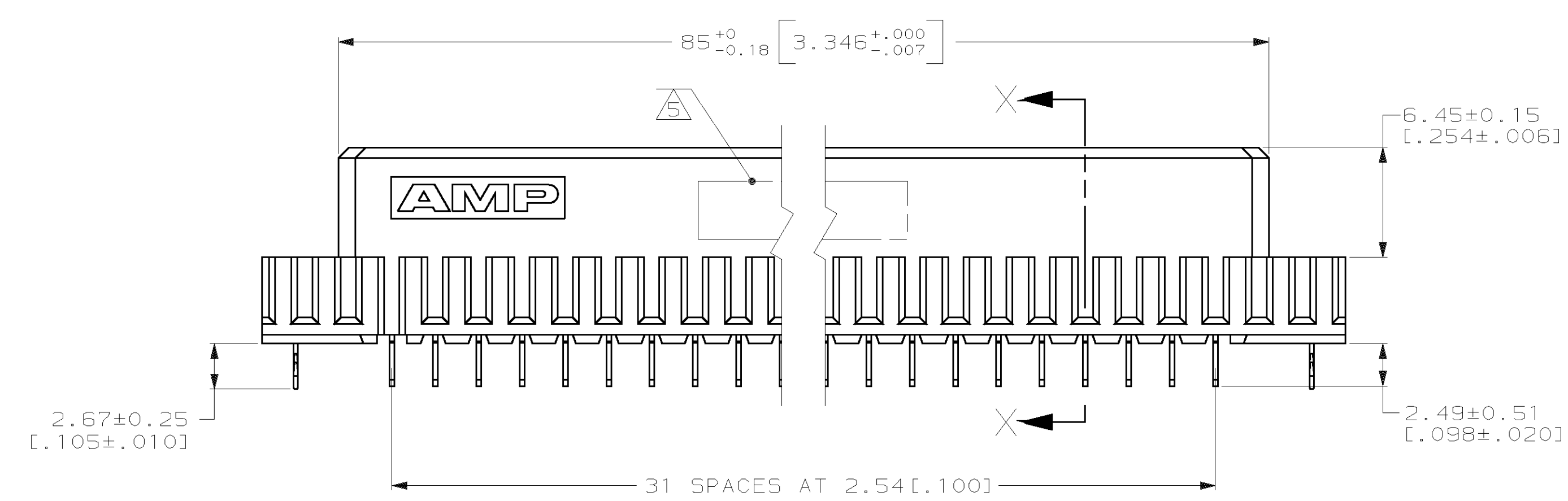
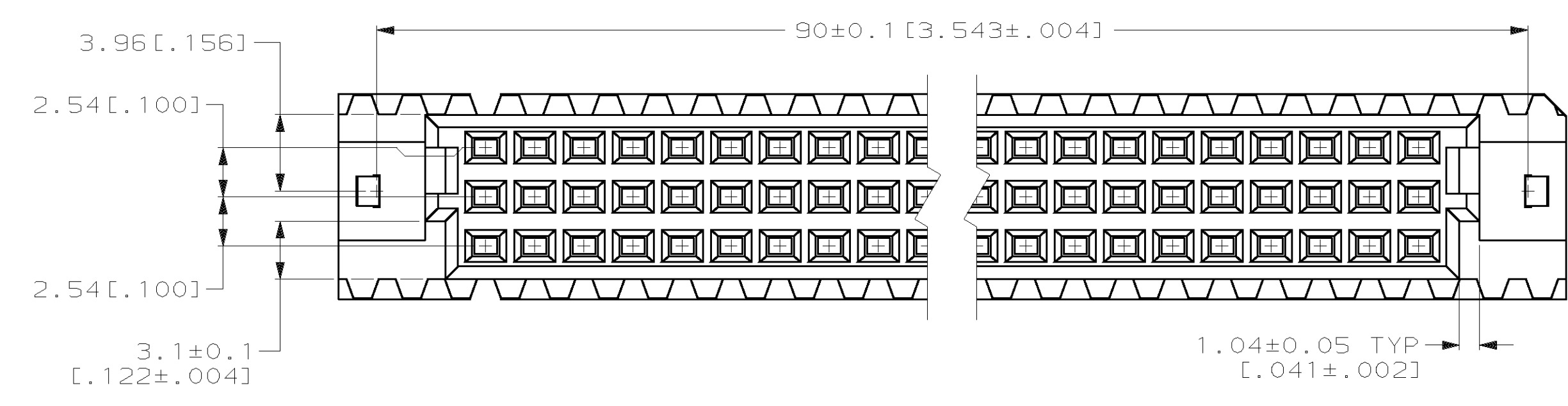


LOC	DIST	P	F	ZONE	LTR	DESCRIPTION	DATE	APPD
AD	25					REVISIONS		
						0 DRAWN		
						A EC 0010-1241-95	11/1/95	CR
						B EC 0010-1431-95	1/17/96	RAP
						C EC 0010-1491-95	4/1/96	CR
						D REV PER EC 001B-0367-00	04 JAN 01	CR



- ① HOUSING MATERIAL: GLASS-FILLED POLYESTER. COLOR: GRAY.
- ② CONTACT MATERIAL: PHOSPHOR BRONZE.
- ③ CONTACT FINISH: DIN 41612 CLASS 2 IN CONTACT AREA. TIN-LEAD ON POSTS.
- ④ CONTACT FINISH: DIN 41612 CLASS 3 IN CONTACT AREA. TIN-LEAD ON POSTS.
- ⑤ PART NUMBER, DATE CODE IDENTIFICATION, CSA LOGO IN THIS APPROXIMATE AREA.
- ⑥ CONTACT POINT.
- ⑦ RECOMMENDED HOLE SIZE FOR MANUAL APPLICATION OF CONNECTOR ONTO PC BOARD.

NOTES	POSITIONS LOADED	C	B	A	NO. OF LOADED POSITION	ASSY PART NUMBER	
OBsolete	④	1-32	X	X	X	96	536418-9
	③	1-32	X	X	X	96	536418-5
SUPERSEDED BY 536418-5	③	1-32	X	X	X	96	536418-4

DO NOT SCALE PRINT. UNLESS SPECIFIED DIMENSIONS IN mm [INCHES] TOLERANCES ON: 1 PLC DEC ± - 2 PLC DEC ± 0.13 [.005] ANGLES ± -	DR L. BRINER 10/19/92 CHK R. PATTERSON 10/28/92 APPD R. PATTERSON 10/28/92 MATERIAL HSG ① CONT ②	NAME RECEPTACLE ASSEMBLY, EUROCARD, TYPE "C" WITH BOARD-LOCKS
FINISH CONT ③④	APPD D.C. RUBENDALL 10/29/92 PRODUCT SPEC -	SIZE D 00779 SCALE 4:1
APPLICATION SPEC -	WEIGHT -	DRAWING NO 536418 SHEET 1 OF 1

单击下面可查看定价，库存，交付和生命周期等信息

[>>TE Connectivity\(泰科\)](#)