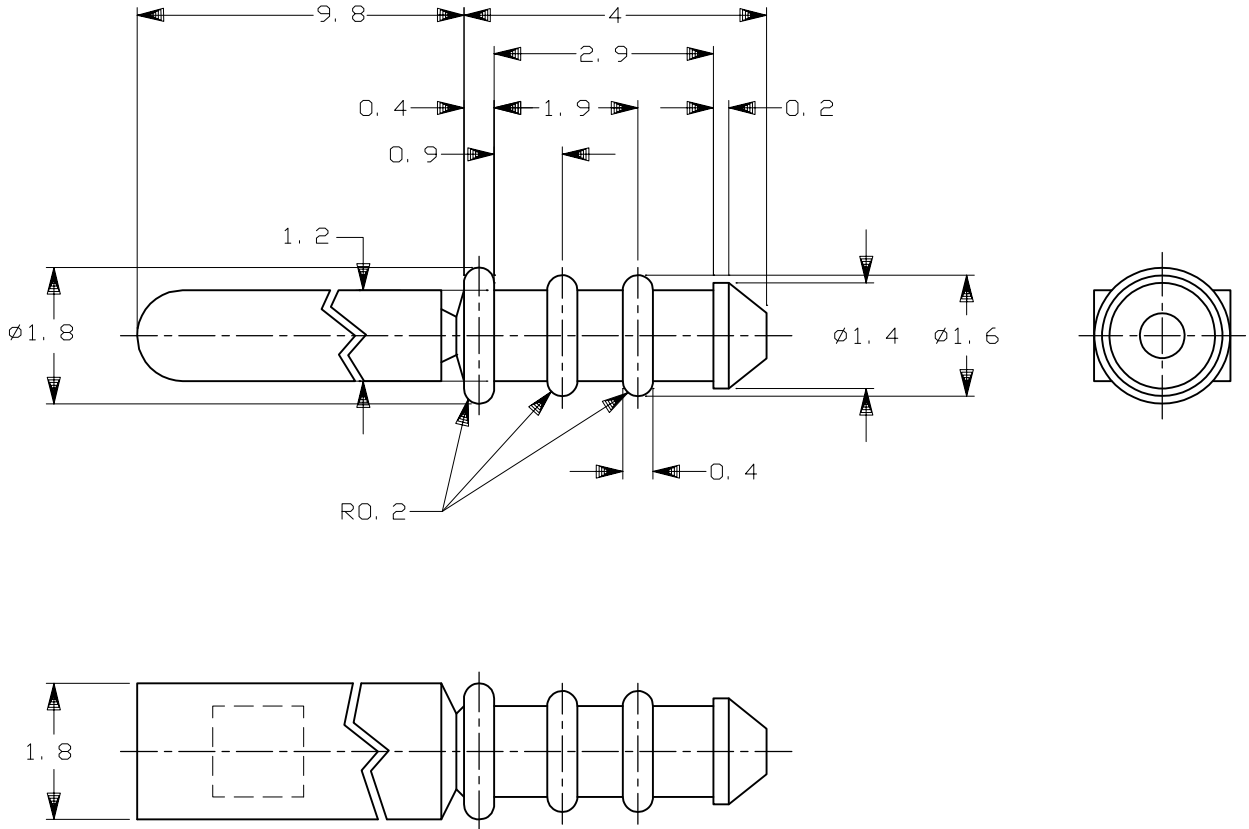


LOC J	DIST —	REVISIONS 変更			DATE	DWN	APVD
		P	LTR	DESCRIPTION			
			B2	REVISED PER ECO-11-005140	29MAR11	RK	HMR

-7: AS SHOWN
-7: 本図



RELEASED FOR PUBLICATION


ALL RIGHTS RESERVED.

THIS DRAWING IS UNPUBLISHED.

By -
COPYRIGHT -

TOLERANCES UNLESS OTHERWISE SPECIFIED:
一般公差

10 ≥	: ±0.2
30 ≥ > 10	: ±0.25
100 ≥ > 30	: ±0.3
ANGLE	: ±0.3°

DIMENSIONS: 单位: 耗 mm	DWN T.SHINOHARA	27OCT06	MATERIAL 材料	PBT, COLOR: YELLOW	FINISH 仕上	—	
	CHK K.BETSUI	27OCT06	 TE Connectivity				
TOLERANCES UNLESS OTHERWISE SPECIFIED: 一般公差	APVD K.BETSUI	27OCT06					NAME 名称
	0 PLC ± - 1 PLC ± - 2 PLC ± - 3 PLC ± - 4 PLC ± - ANGLES ± -	PRODUCT SPEC 製品規格 108-5426	APPLICATION SPEC 取付適用規格 114-5193	SIZE A4	CAGE CODE 00779	DRAWING NO 番号 C-316390	RESTRICTED TO —
	WEIGHT 0.01 g	CUSTOMER DRAWING		SCALE 尺度	10:1	SHEET 1 OF 1	REV B2

单击下面可查看定价，库存，交付和生命周期等信息

[>>TE Connectivity\(泰科\)](#)