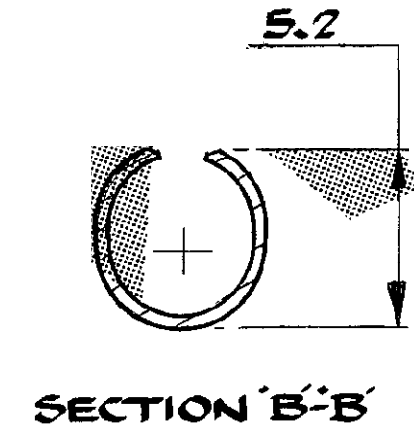
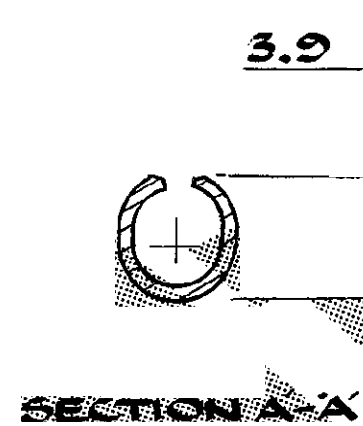
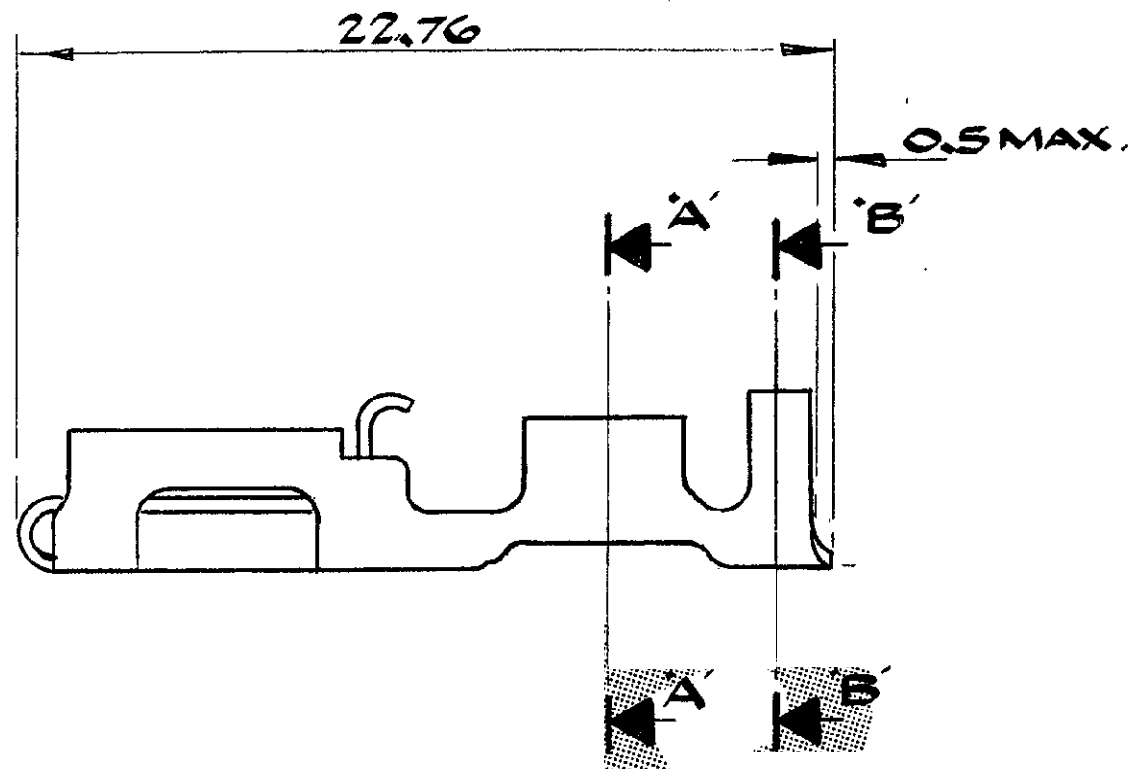


DO NOT SCALE

DIMENSIONS IN m.m.



LTR	DESCRIPTION	DATE	DWN	APVD
A3	REVISED PER ECR-15-007886	17JUN2015	NK	GH



OBSOLETE		SILVER PLT.	BRASS	341001-9
OBSOLETE		SILVER PLT.	PHOS. BRONZE	341001-8
		PRE-TIN	PHOS. BRONZE	341001-7
		PRE-TIN	BRASS	341001-6
OBSOLETE		NONE	PHOS. BRONZE ^{LOW}	341001-5
		ELECTRO-TIN	PHOS. BRONZE	341001-4
		ELECTRO-TIN	BRASS	341001-3
OBSOLETE		NONE	PHOS. BRONZE	341001-2
		NONE	BRASS	341001-1

OTHER TREATMENT	FINISH	MATERIAL	PART NUMBER
-----------------	--------	----------	-------------

CUSTOMER DWG
FOR REFERENCE ONLY

RELEASED FOR PUBLICATION 10 OCT 1989

TOLERANCES UNLESS OTHERWISE STATED:- DEC ± 0,5 ANGLES ± 1°	INS. DIA. RANGE	WIRE RANGE	SCALE
	3,6-4,3	2,5-4,0mm	5:1
TE TE Connectivity			
NAME POSITIVE LOCK RECP PRE-FORMED LOOSE PIECE			
DR. D.R. TERRY	A3	LOC. E	DWG. NO. C341001
CHK. <i>[Signature]</i>	REV. A3	SHEET 1 of 1	
APP. <i>[Signature]</i>			

单击下面可查看定价，库存，交付和生命周期等信息

[>>TE Connectivity\(泰科\)](#)