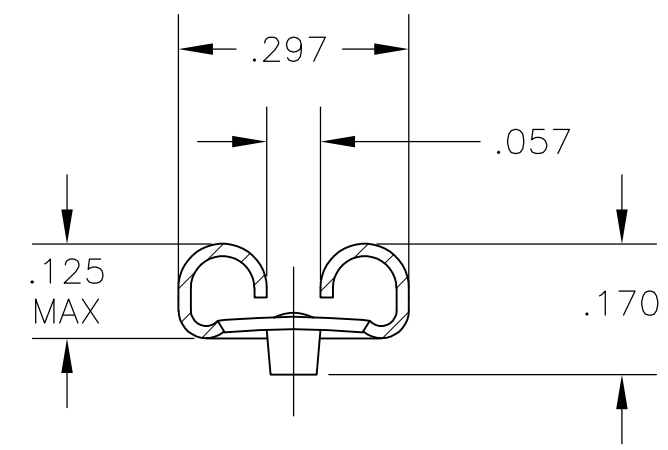
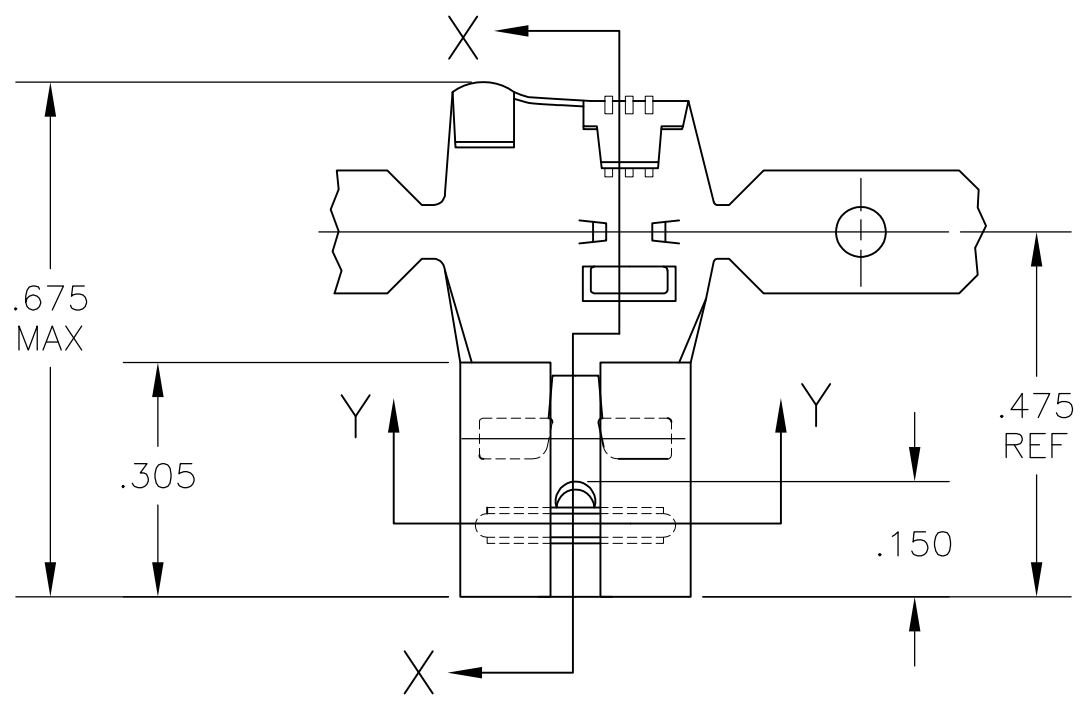


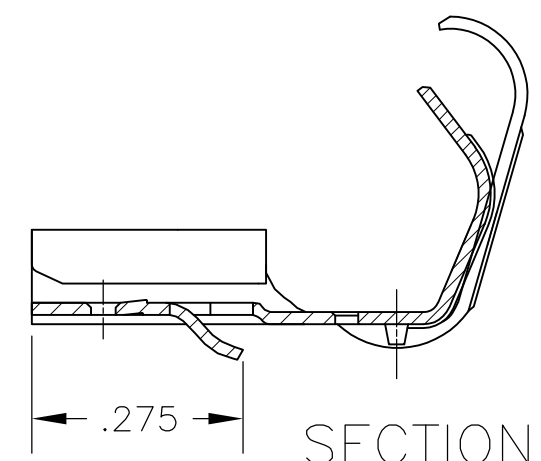
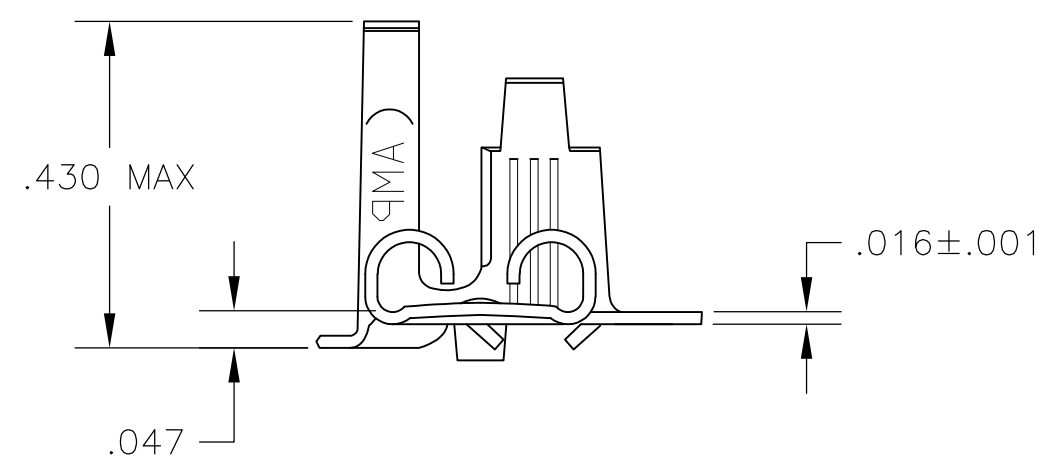
THIS DRAWING IS UNPUBLISHED. RELEASED FOR PUBLICATION  
 © COPYRIGHT - By - ALL RIGHTS RESERVED.

LOC	DIST	REVISIONS			
P	LTR	DESCRIPTION	DATE	DWN	APVD
AF	50	C	REVISED PER ECR-11-018063	07DEC11	KH PD

- 1 CONTINUOUS STRIP ON REELS
- 2 WIRE SIZE IS #16-#14 AWG
- 3 INSULATION RANGE IS .110-.210 DIA
- 4 MATING TAB THK IS .032±.001
- △ LUBRICANT APPLIED AFTER PLATING.



SECTION Y-Y



SECTION X-X

1742291-1  
PART NO

THIS DRAWING IS A CONTROLLED DOCUMENT.		DWN jr_ruth	17MAY05	TE Connectivity	
DIMENSIONS: INCHES		CHK K RANDOLPH	17MAY05		
		APVD K RANDOLPH	17MAY05	NAME RECEPTACLE, FLAG, FASTIN-FASTON, .250 SERIES	
TOLERANCES UNLESS OTHERWISE SPECIFIED:		PRODUCT SPEC		APPLICATION SPEC	
0 PLC ± - 1 PLC ± - 2 PLC ± - 3 PLC ± .010 4 PLC ± - ANGLES ± 5°		WEIGHT		SIZE A3	CAGE CODE 00779
MATERIAL H04 PHOS BRONZE		FINISH TIN △ 5		DRAWING NO C-1742291	
CUSTOMER DRAWING				SCALE 1:1	SHEET 1 OF 1
				RESTRICTED TO	REV C

单击下面可查看定价，库存，交付和生命周期等信息

[>>TE Connectivity\(泰科\)](#)