



4

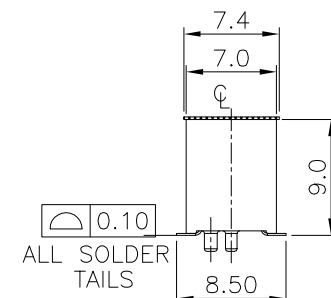
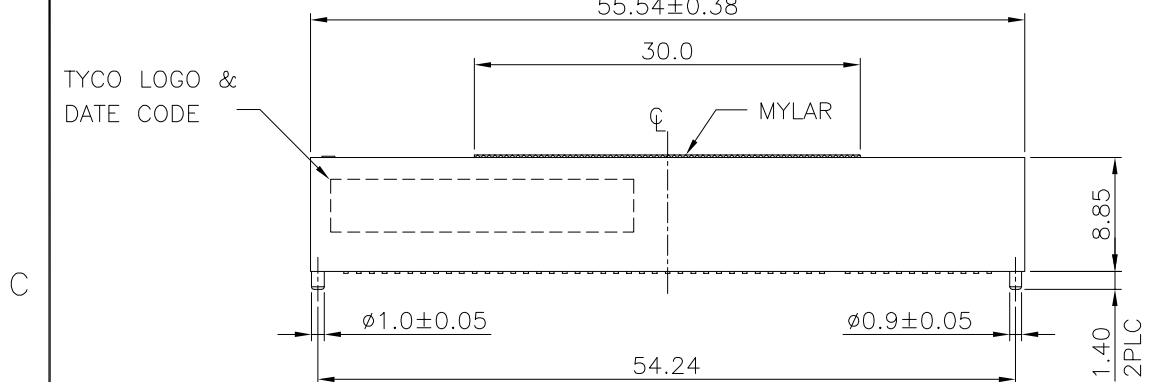
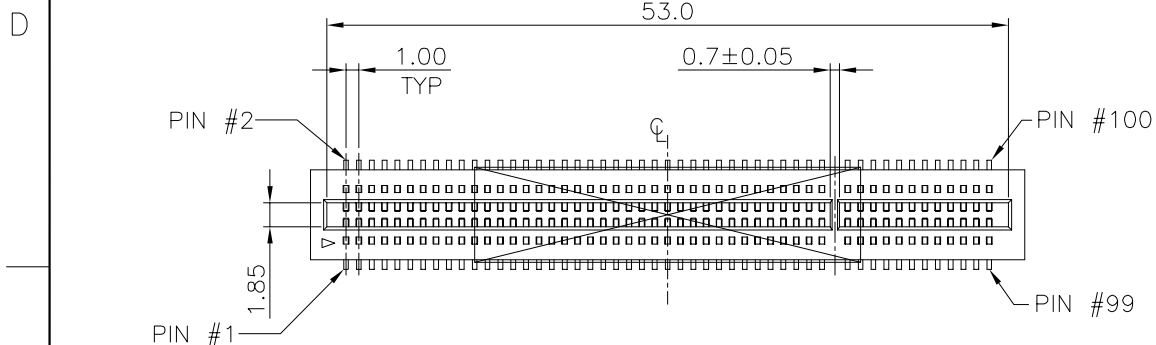
3

2

1

THIS DRAWING IS UNPUBLISHED. RELEASED FOR PUBLICATION  
© COPYRIGHT BY TYCO ELECTRONICS CORPORATION. ALL RIGHTS RESERVED.

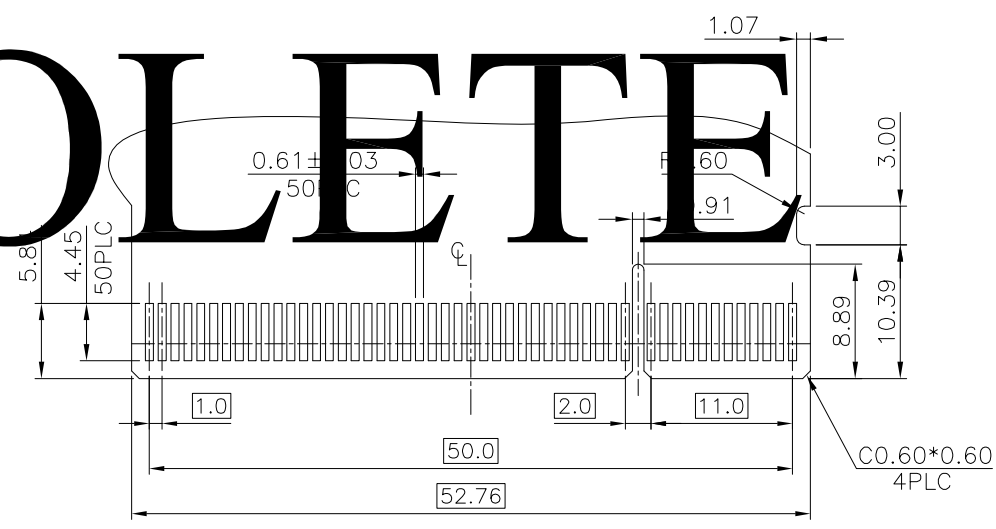
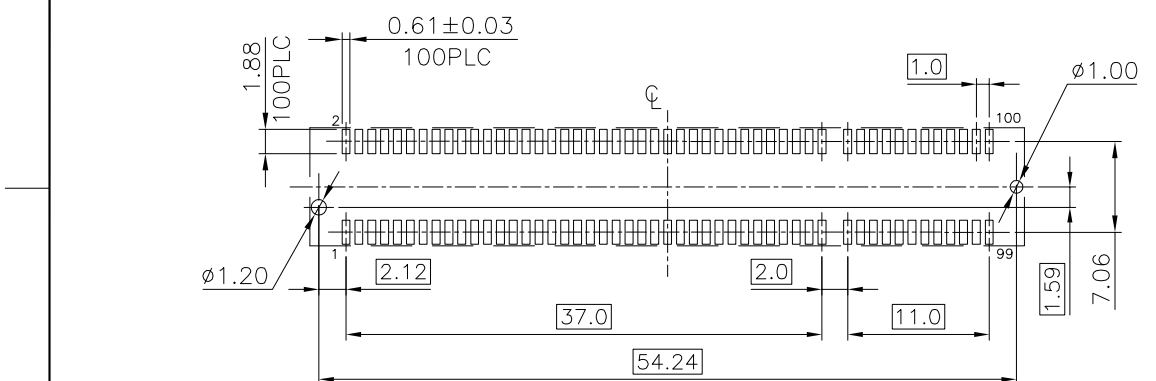
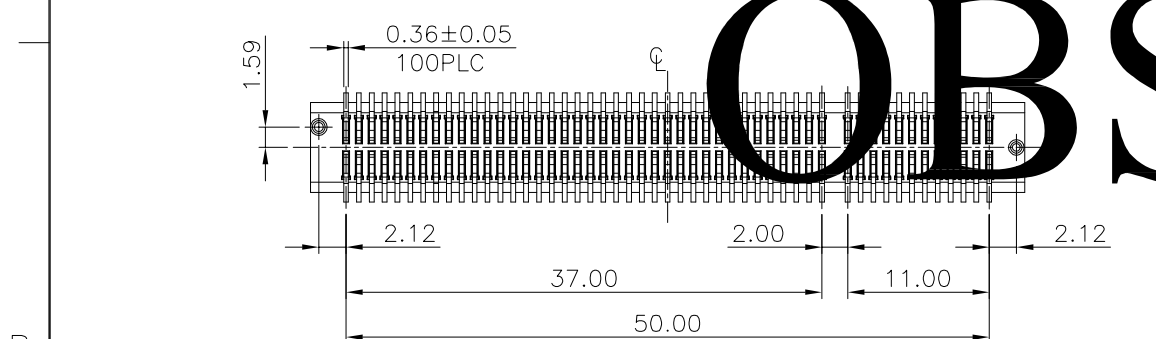
LOC	DIST	REVISIONS					
DW	-	P	LTR	DESCRIPTION	DATE	DWN	APVD
				SEE SHEET 1.			



- NOTES:
- MATERIAL:  
HOUSING: LCP WITH 30% GF, UL 94V-0, BLACK COLOR.  
CONTACTS: PHOSPHOR BRONZE.
  - FINISH:  
CONTACTS: GOLD FLASH PLATED ON CONTACT AREA,  
2.54um [100u"] MIN. MATTE-TIN PLATED ON SOLDER TAIL,  
1.27um [50u"] MIN. NICKEL UNDERPLATED ALL OVER.
  - REFLOW SOLDER CAPABLE TO 260°C PER TE TEST SPEC.  
109-201, CONDITION B.

POST TYPE 2

# OBSOLETE



RECOMMENDED CARD PCB LAYOUT  
TOLERANCES ±0.05

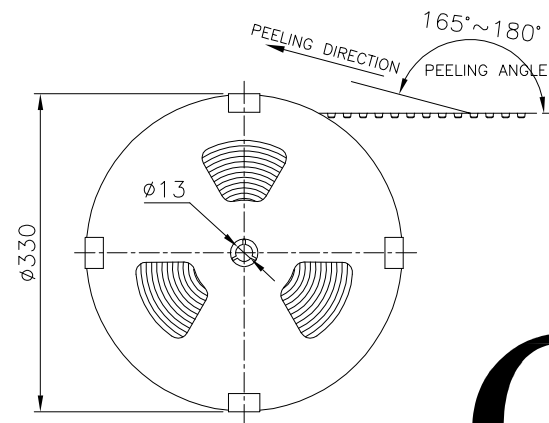
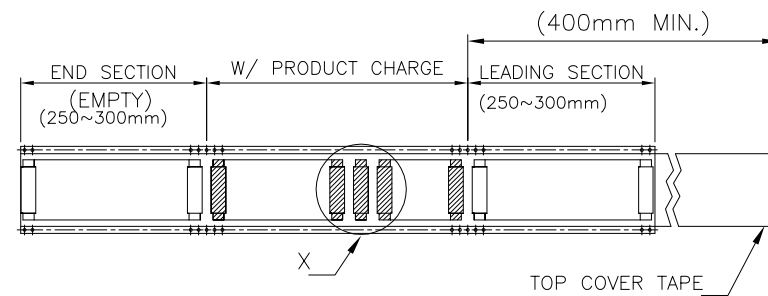
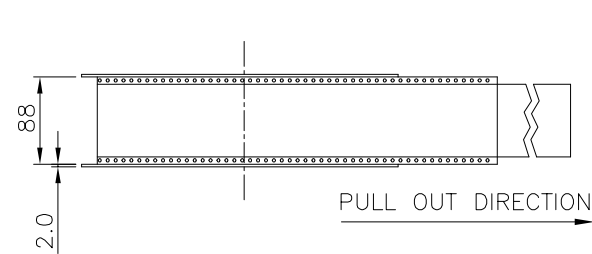
RECOMMENDED PCB LAYOUT  
TOLERANCES ±0.05  
(TOP VIEW)

OBSOLETE 1-1775520-1  
PART NUMBER

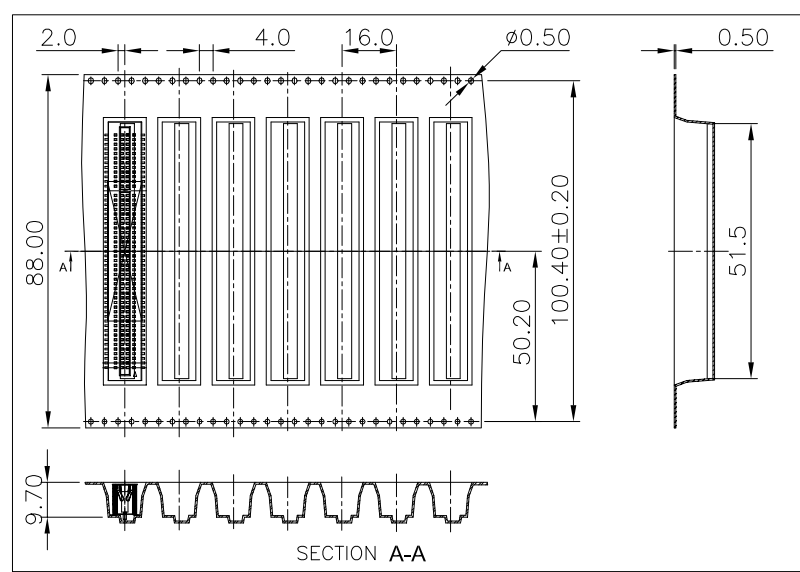
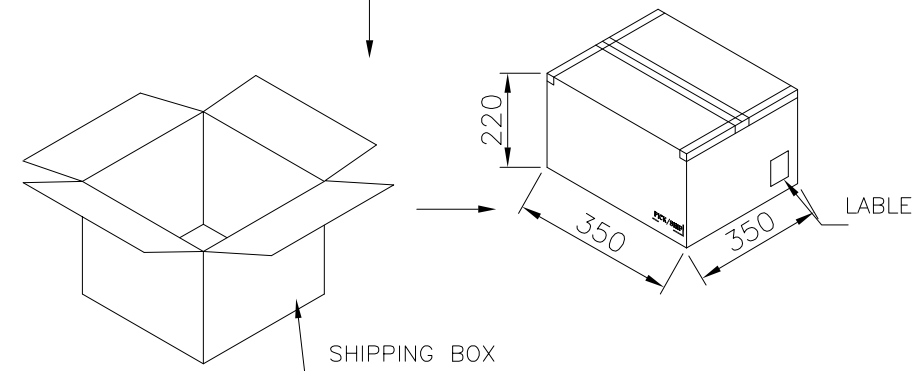
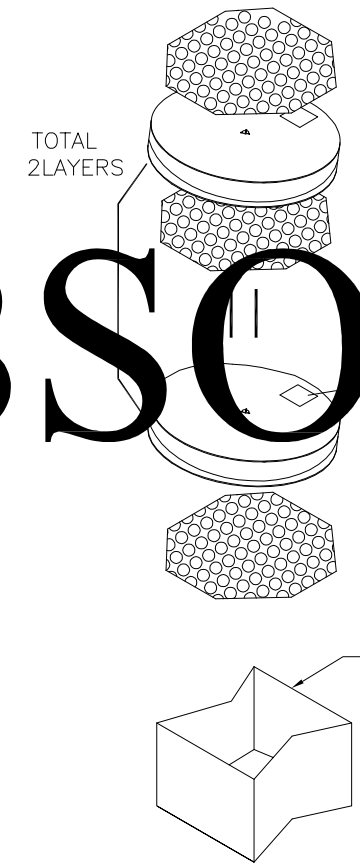
THIS DRAWING IS A CONTROLLED DOCUMENT.		DWN J. LEE 02AUG2007	Tyco Electronics Corporation Taipei, Taiwan	
DIMENSIONS: MM		CHK S. HOU 02AUG2007	NAME	
TOLERANCES UNLESS OTHERWISE SPECIFIED:		APVD W.J. KE 02AUG2007	1.0mm CARD EDGE, 100PIN, SMT, CONNECTOR	
0 PLC ± -		PRODUCT SPEC 108-57646	SIZE	
1 PLC ± 0.30		QUALIFICATION TEST REPORT 501-57752	CAGE CODE A300779	DRAWING NO C=1775520
2 PLC ± 0.20		WEIGHT 4.0GRAMS	RESTRICTED TO -	
3 PLC ± -		CUSTOMER DRAWING	SCALE	SHEET
4 PLC ± -			-	2 of 3
ANGLES ± 3'				REV A1
MATERIAL SEE NOTE	FINISH SEE NOTE			

THIS DRAWING IS UNPUBLISHED. RELEASED FOR PUBLICATION  
 © COPYRIGHT BY TYCO ELECTRONICS CORPORATION. ALL RIGHTS RESERVED.

LOC	DIST	REVISIONS					
DW	-	P	LTR	DESCRIPTION	DATE	DWN	APVD
				SEE SHEET 1.			



# OBSOLETE



300	2	600	3.8	2.4
PCS/TAPE	REEL/BOX	QUANTITY	G/W (KG)	N/W (KG)

THIS DRAWING IS A CONTROLLED DOCUMENT.		DWN J. LEE 02AUG2007	Tyco Electronics Corporation Taipei, Taiwan	
DIMENSIONS: MM		CHK S. HOU 02AUG2007	NAME	
TOLERANCES UNLESS OTHERWISE SPECIFIED:		APVD W.J. KE 02AUG2007	1.0mm CARD EDGE, 100PIN, SMT, CONNECTOR	
0 PLC ± -		PRODUCT SPEC	SIZE	
1 PLC ± -		APPLICATION SPEC	CAGE CODE	
2 PLC ± -		WEIGHT	DRAWING NO	
3 PLC ± -		CUSTOMER DRAWING	A3 00779 C=1775520	
4 PLC ± -		SCALE	RESTRICTED TO	
ANGLES ± -		SHEET	3 of 3	
MATERIAL		REV	A1	
FINISH				

单击下面可查看定价，库存，交付和生命周期等信息

[>>TE Connectivity\(泰科\)](#)