

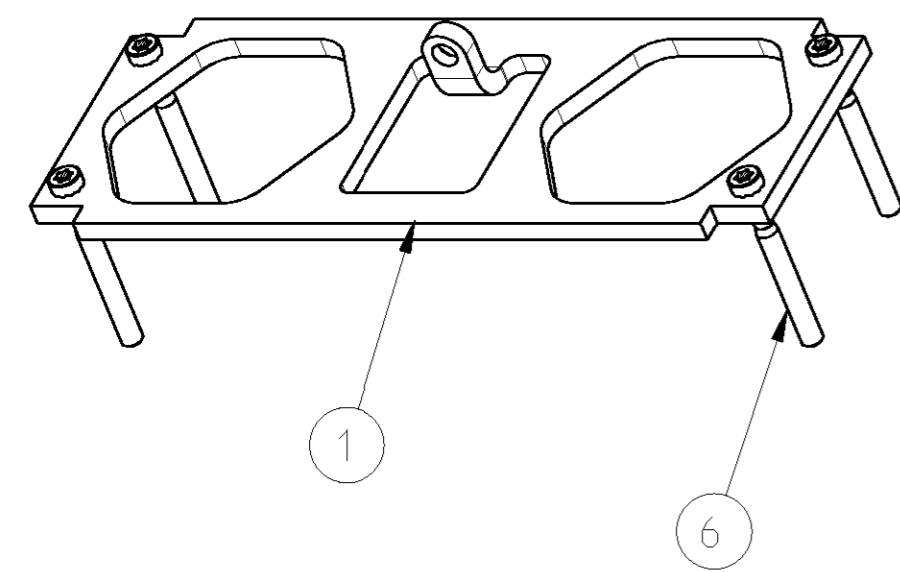
THIS DRAWING IS UNPUBLISHED. RELEASED FOR PUBLICATION 2006
 © COPYRIGHT 2006 BY TYCO ELECTRONICS CORPORATION. ALL RIGHTS RESERVED.

LOC	DIST	REVISIONS					
A1	-	P	LTR	DESCRIPTION	DATE	DWN	APVD
		B2		PACKAGING CHANGED ECR-07-018767	13AUG2007	JS	BR

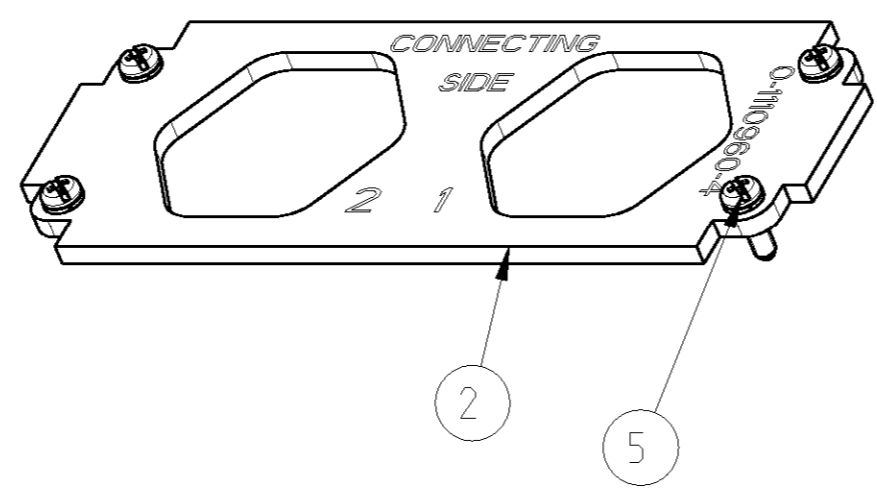
Notes

- 1 WEIGHT:0.112 kg (APROX.)
- 2 PACKAGING: 5 PIECES IN A CARDBOARD BOX
- 3 SCREWS PACKED LOOSE IN A POLY BAG (ONLY PN 0-4 and 0-5)
- 4 LABELING SEE PAGE 2

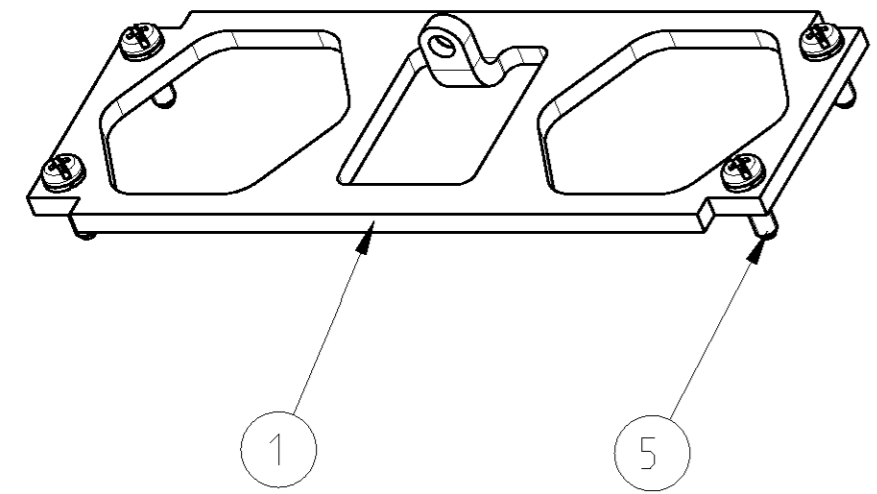
PN 0-1



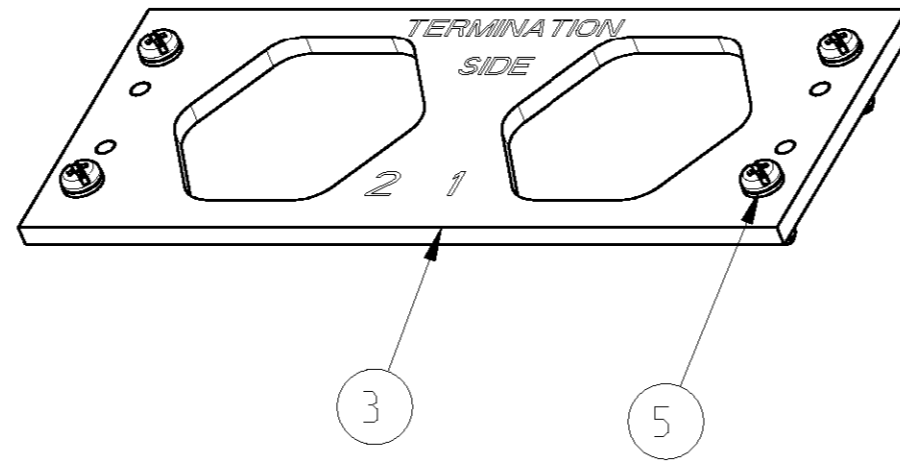
PN 0-4



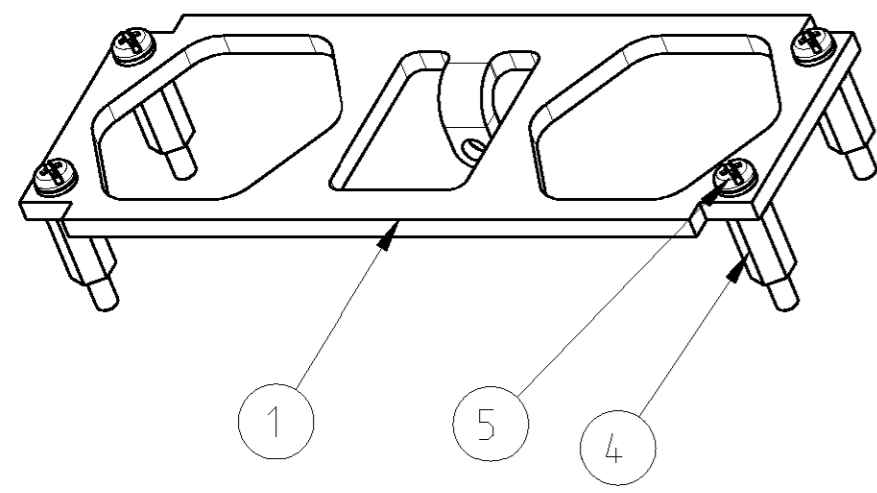
PN 0-2



PN 0-5



PN 0-3



QTY	DESCRIPTION	MATERIAL	SURFACE	NOTE	ITEM
4	SCREW	STAINL.STEEL	-	M3x27 SELFLOCKING	6
4	FIXING SCREW	V2A	blank	M3x10.5	5
4	DISTANCE BOLT	STEEL	ZINC PLATED	M3x18/12	4
1	FIXING PLATE	STEEL	ZINC PLATED	2 POS. HF13, SPECIAL VERS. Ag	3
1	FIXING PLATE	STEEL	ZINC PLATED	2 POS. HF13, SPECIAL VERS. St	2
1	FIXING PLATE	STEEL	ZINC PLATED	2 POS. HF13 +1xBq1	1

THIS DRAWING IS A CONTROLLED DOCUMENT FOR TYCO ELECTRONICS CORPORATION. IT IS SUBJECT TO CHANGE AND THE CONTROLLING ENGINEERING ORGANIZATION SHOULD BE CONTACTED FOR THE LATEST REVISION.

DWN: J.STOECKER 28FEB2007
 CHK: H.BRAUN 28FEB2007
 APVD: T.SCHNURPFEL 28FEB2007

tyco Electronics tyco Electronics AMP GmbH
 53819 Neunkirchen (Germany)

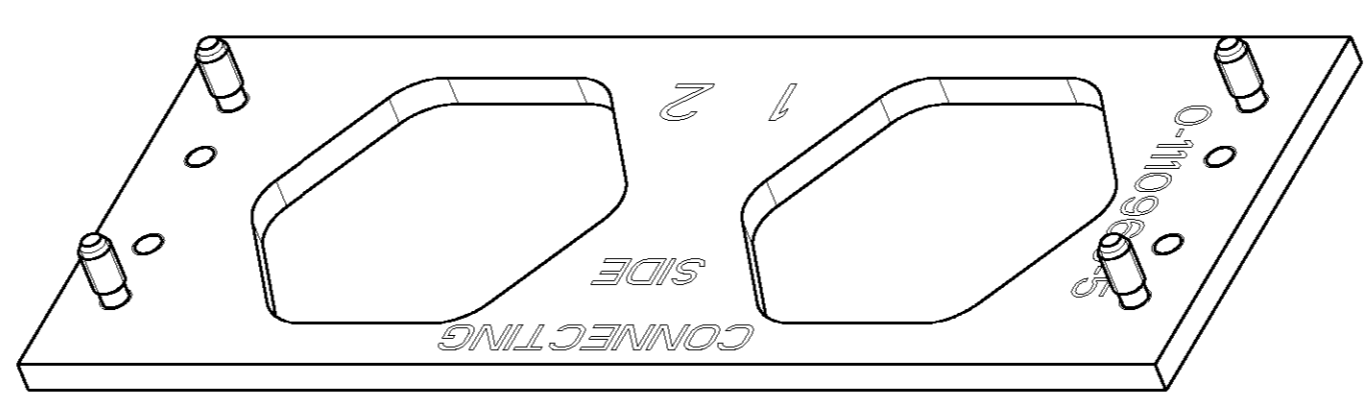
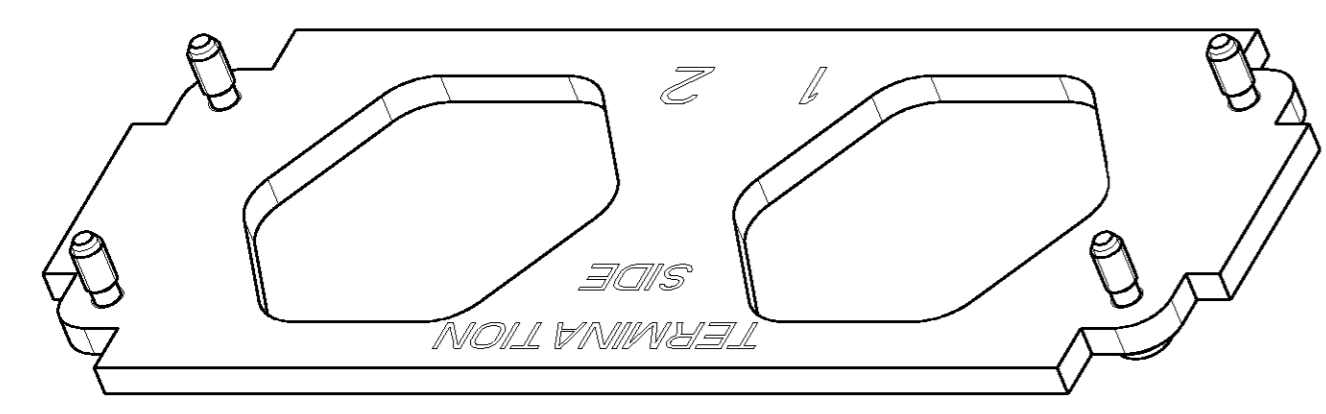
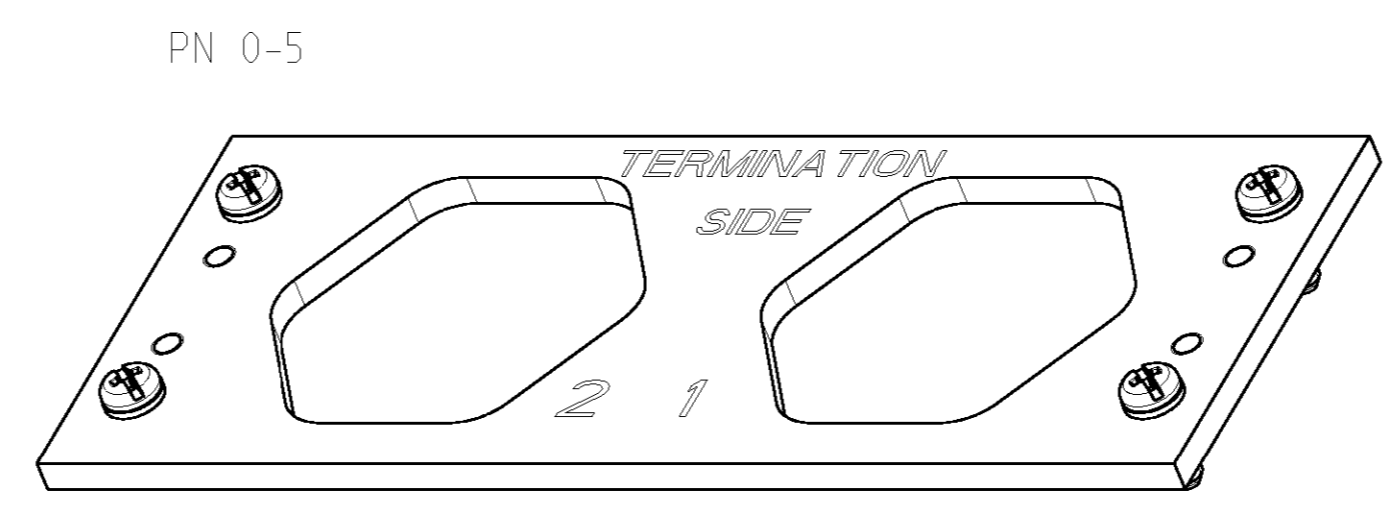
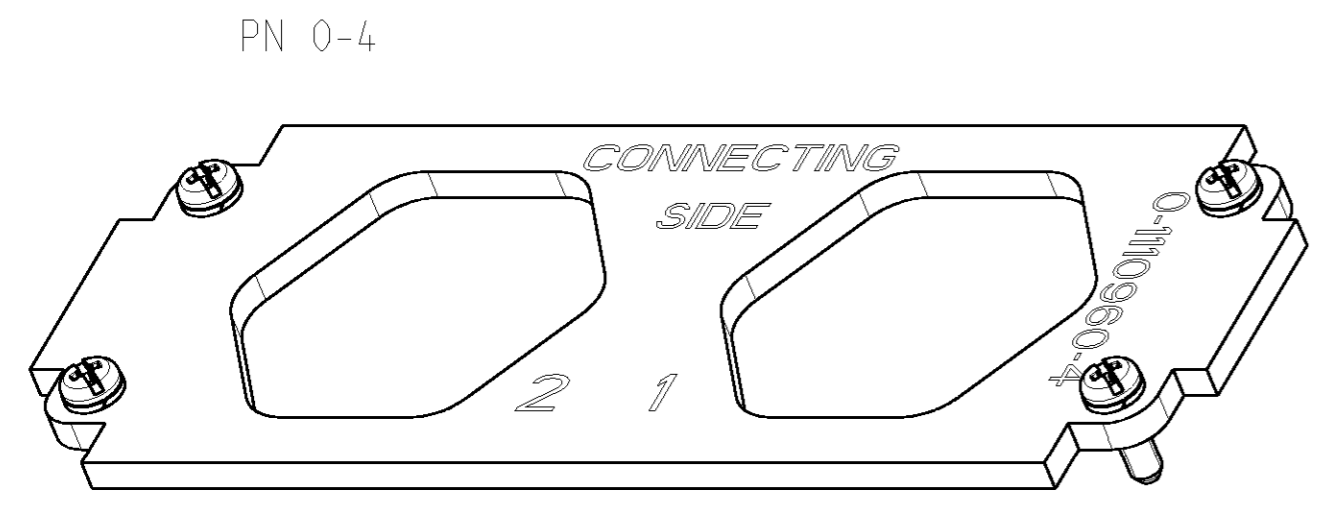
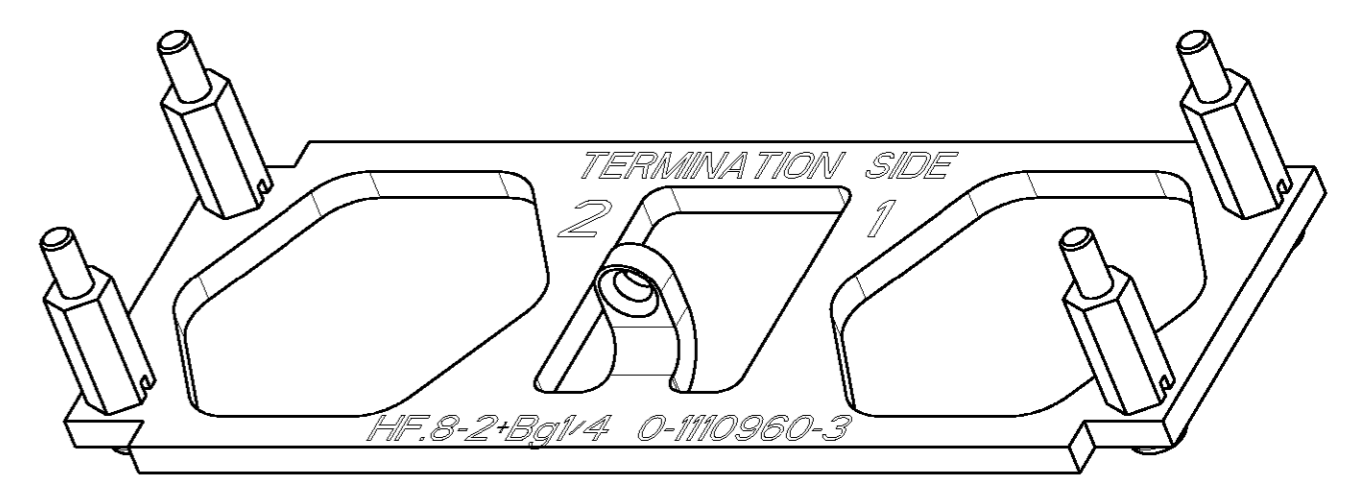
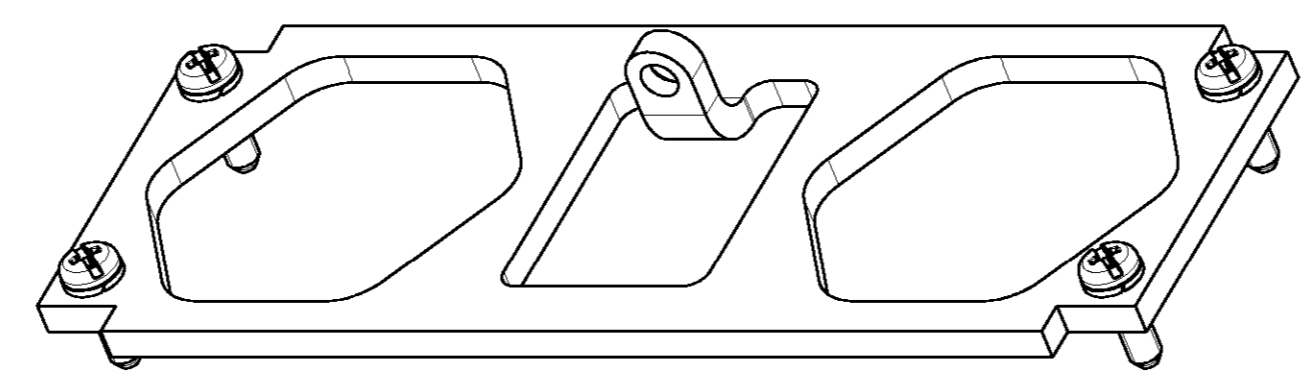
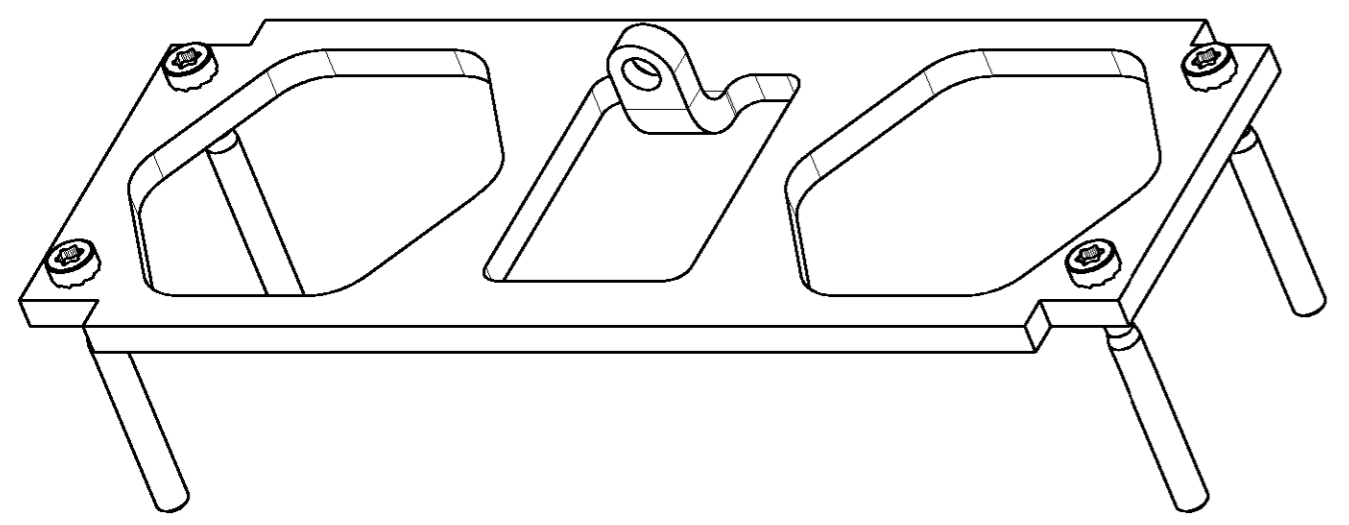
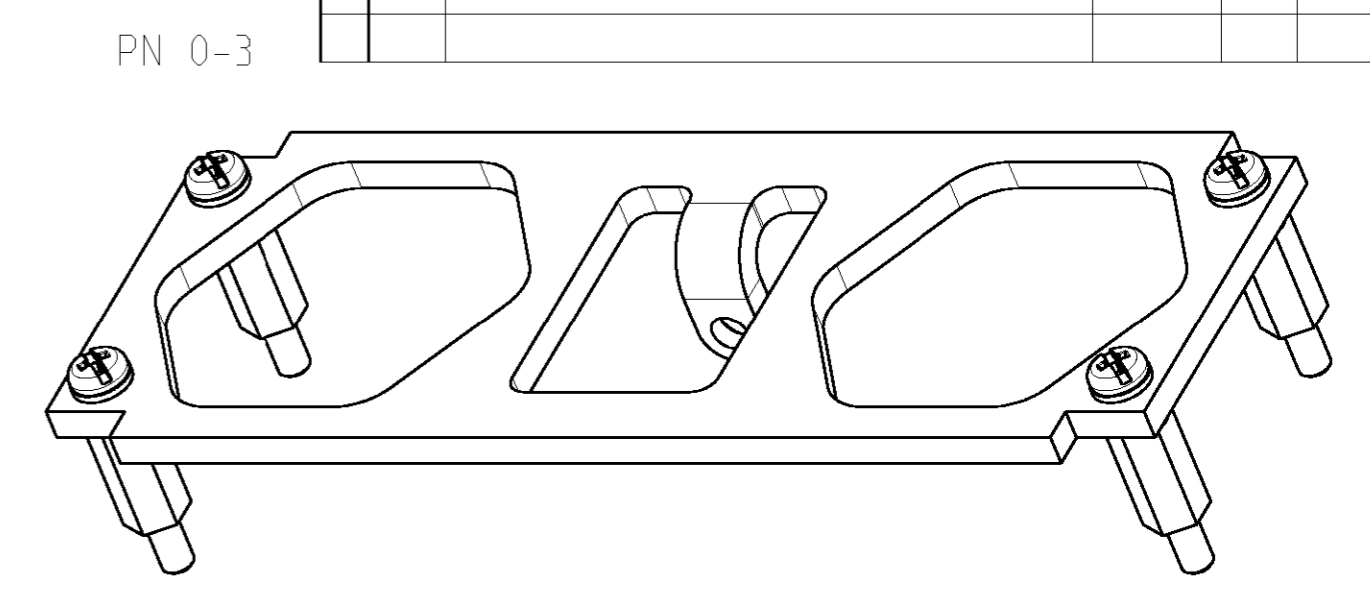
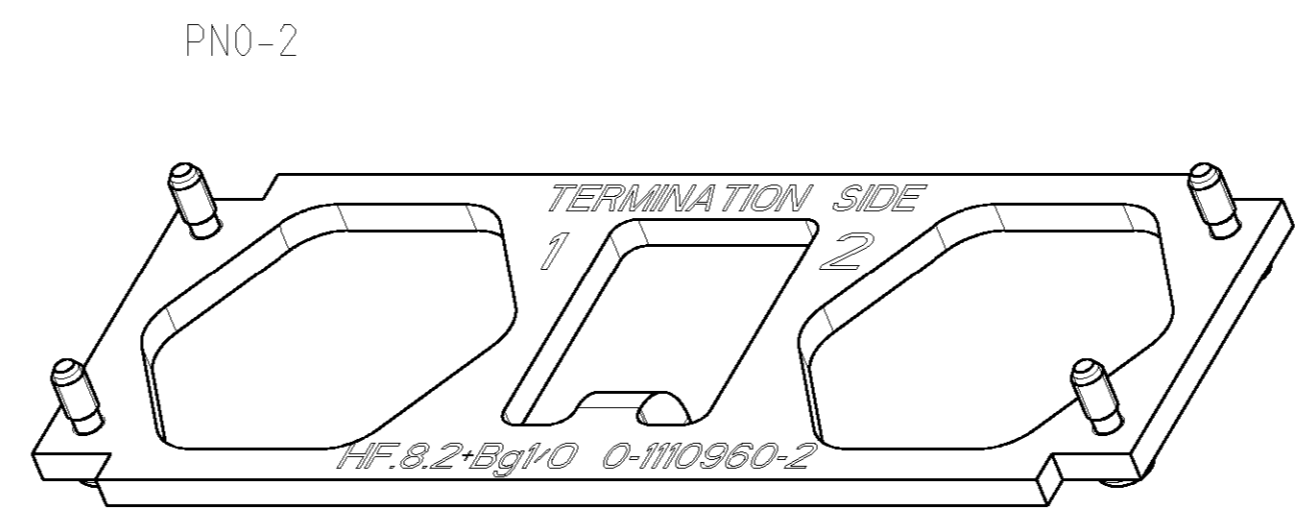
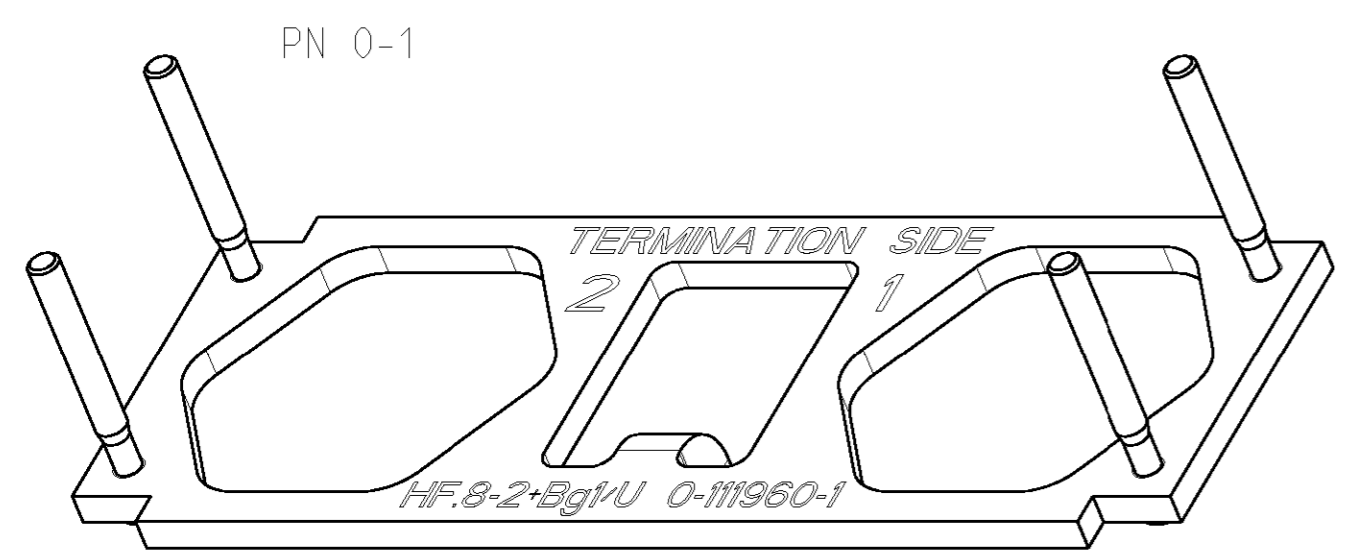
NAME: FIXING PLATE SERIES HF, SIZE 8

SIZE: A2 CAGE CODE: 00779 DRAWING NO: 1110960 RESTRICTED TO: -
 SCALE: 1:1 SHEET 1 OF 2 REV B2

DIMENSIONS: mm TOLERANCES UNLESS OTHERWISE SPECIFIED:
 0 PLC ±-
 1 PLC ±-
 2 PLC ±-
 3 PLC ±-
 4 PLC ±-
 ANGLES ±1°
 MATERIAL FINISH

THIS DRAWING IS UNPUBLISHED. RELEASED FOR PUBLICATION 2006
 © COPYRIGHT 2006 BY TYCO ELECTRONICS CORPORATION. ALL RIGHTS RESERVED.

LOC		DIST		REVISIONS			
P	LTR	DESCRIPTION	DATE	DWN	APVD		
A1	-	SEE SHEET 1	-	-	-		



NOTES SEE PAGE 1

<small>THIS DRAWING IS A CONTROLLED DOCUMENT FOR TYCO ELECTRONICS CORPORATION IT IS SUBJECT TO CHANGE AND THE CONTROLLING ENGINEERING ORGANIZATION SHOULD BE CONTACTED FOR THE LATEST REVISION.</small>		DWN J.STOECKER 28FEB2007 CHK H.BRAUN 28FEB2007 APVD T.SCHNURPFEL 28FEB2007	tyco Electronics	tyco Electronics AMP GmbH 53819 Neunkirchen (Germany)
DIMENSIONS: mm 		TOLERANCES UNLESS OTHERWISE SPECIFIED: 0 PLC ±- 1 PLC ±- 2 PLC ±- 3 PLC ±- 4 PLC ±- ANGLES ±1° FINISH	NAME FIXING PLATE SERIES HF, SIZE 8	
MATERIAL: -		PRODUCT SPEC: - APPLICATION SPEC: - WEIGHT: -	SIZE: A2 CAGE CODE: 00779 DRAWING NO: 1110960	RESTRICTED TO: -
		SCALE: 1:1	SHEET: 2 OF 2	REV: B2

单击下面可查看定价，库存，交付和生命周期等信息

[>>TE Connectivity\(泰科\)](#)