

4

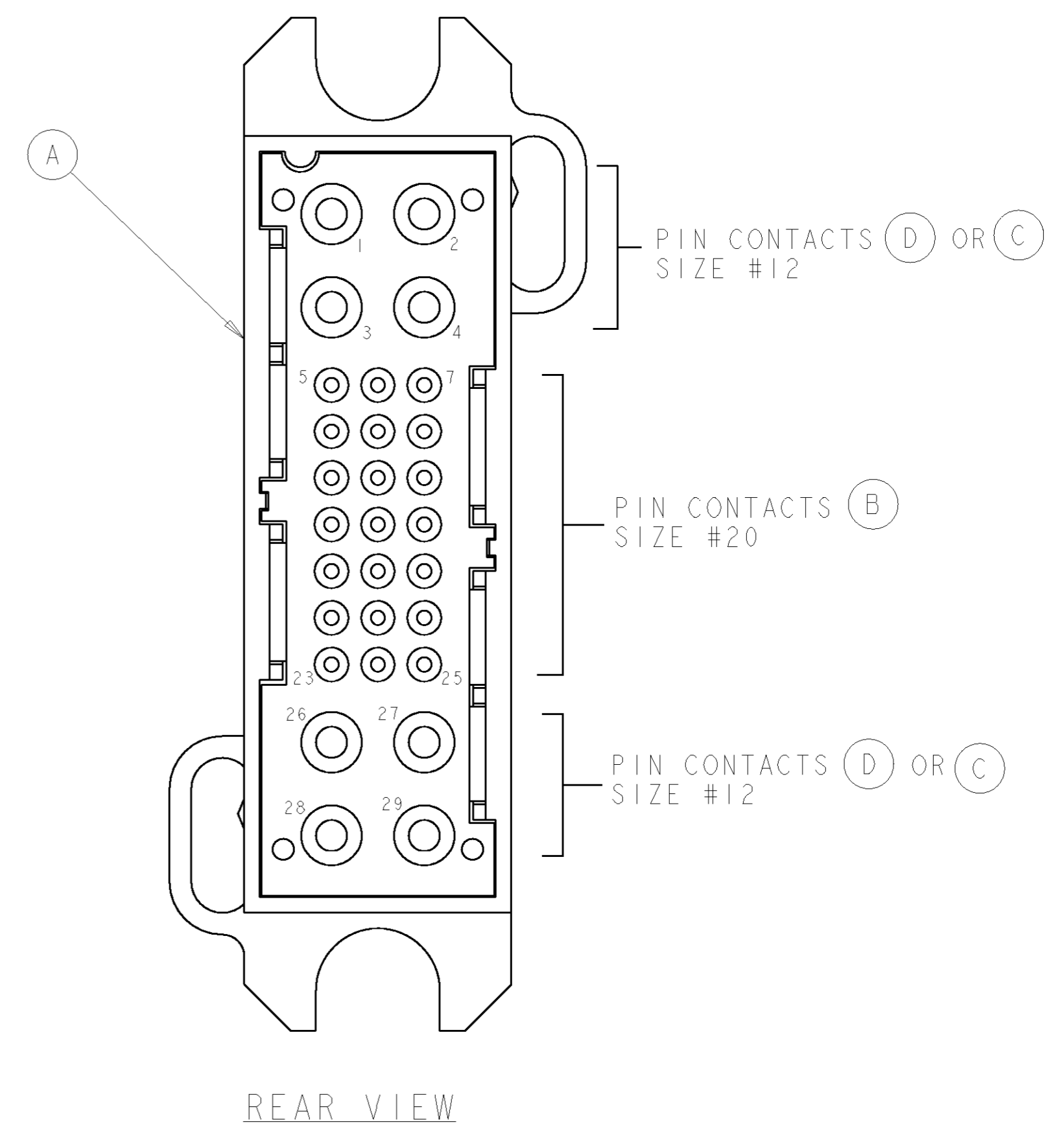
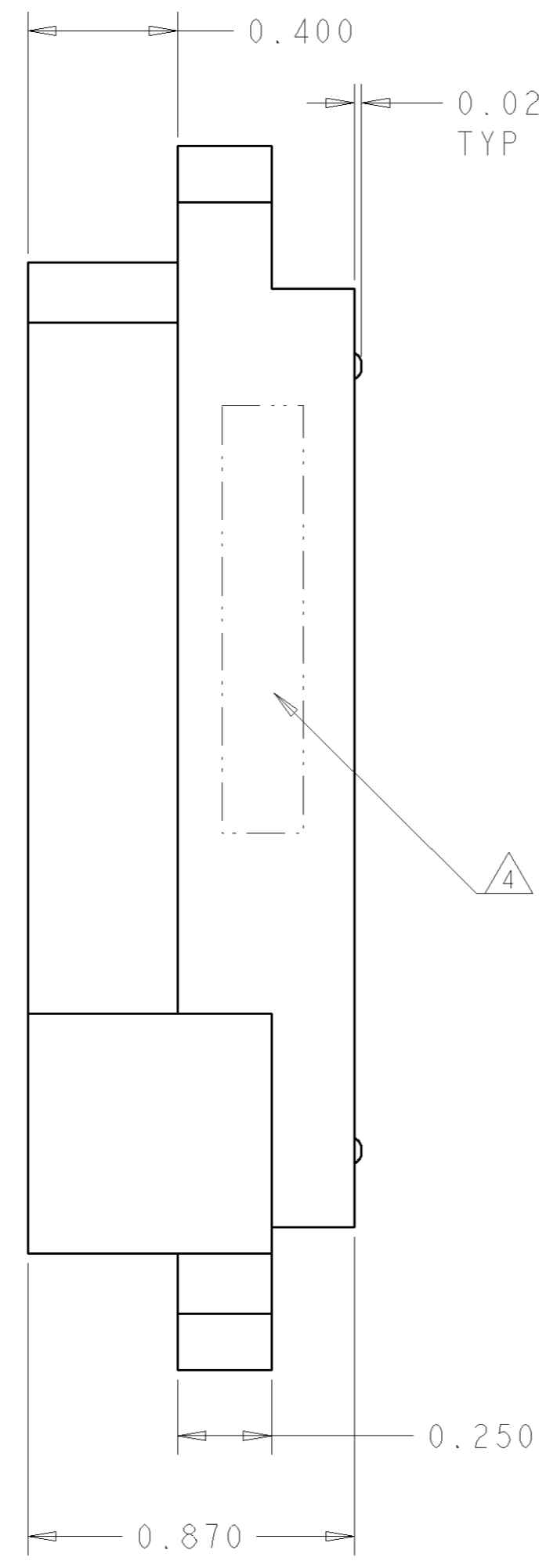
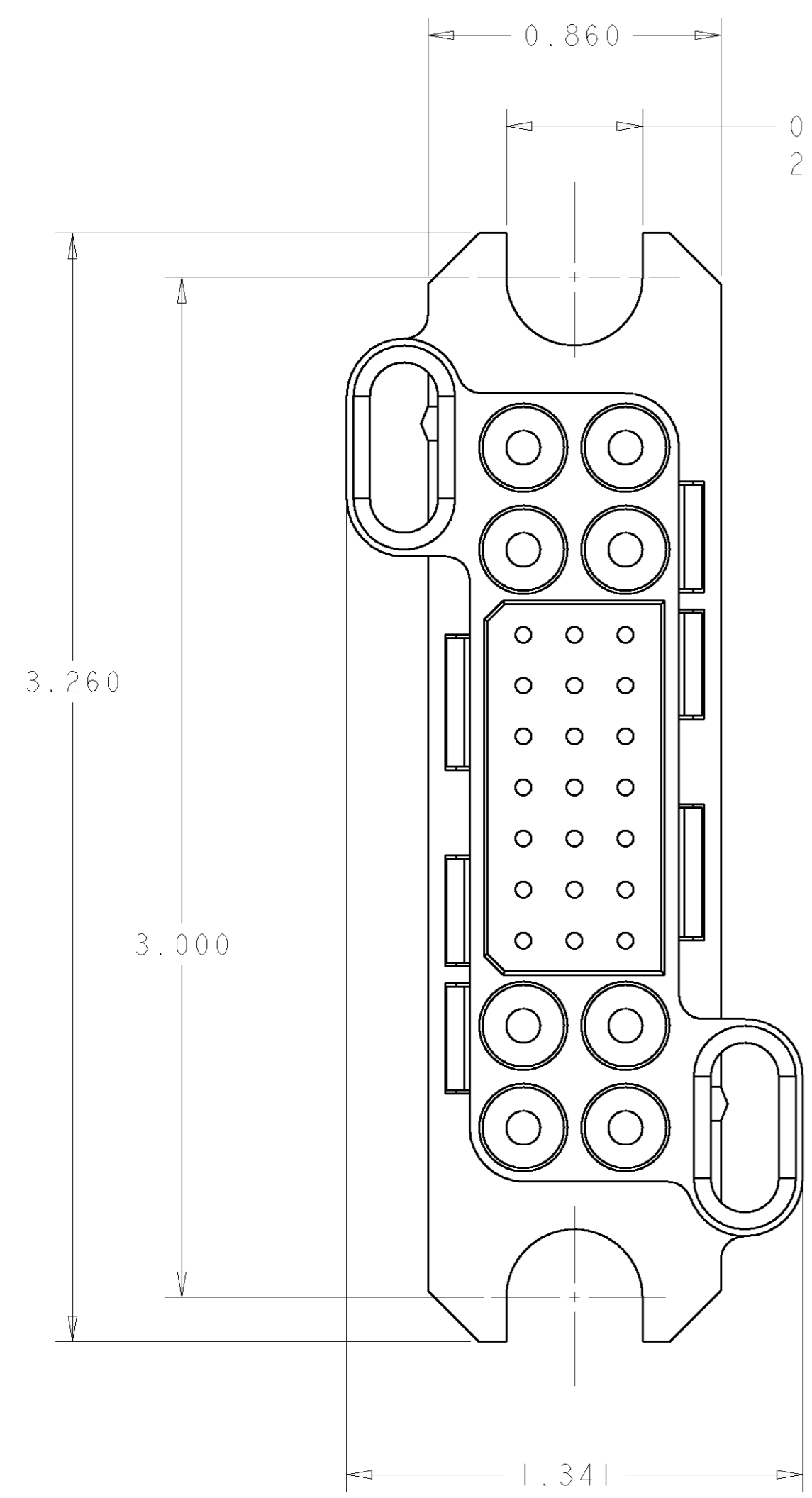
3

2

1

THIS DRAWING IS UNPUBLISHED. RELEASED FOR PUBLICATION 20
 © COPYRIGHT 20 BY TYCO ELECTRONICS CORPORATION. ALL RIGHTS RESERVED.

| LOC | DIST | REVISIONS | | | | | |
|-----|------|-----------|-----|-------------|-----------|-----|------|
| GP | 00 | P | LTR | DESCRIPTION | DATE | DWN | APVD |
| | | | A | RELEASED | 24JUL2006 | RG | SF |



ELCON LOWER DRAWER

| | |
|-------------|-------------|
| AS SHOWN | 1926159-1 |
| DESCRIPTION | PART NUMBER |

| | | | |
|--|--|--|---|
| <small>THIS DRAWING IS A CONTROLLED DOCUMENT FOR TYCO ELECTRONICS CORPORATION. IT IS SUBJECT TO CHANGE AND THE CONTROLLING ENGINEERING ORGANIZATION SHOULD BE CONTACTED FOR THE LATEST REVISION.</small> | | DWN R. GRZYBOWSKI 15 JUN 06 CHK S. FLICKINGER 15 JUN 06 APVD S. FLICKINGER 15 JUN 06 | tyco Tyco Electronics Electronics Harrisburg, PA 17105-3608 |
| DIMENSIONS: INCHES | TOLERANCES UNLESS OTHERWISE SPECIFIED: 0 PLC ± 1 PLC ± 2 PLC ±.02 3 PLC ±.010 4 PLC ± ANGLES ±.5 FINISH | PRODUCT SPEC - APPLICATION SPEC - WEIGHT - | NAME: CONNECTOR ASSEMBLY PIN LOWER DRAWER SIZE: A2 CAGE CODE: 00779 DRAWING NO: 1926159 RESTRICTED TO: - |
| MATERIAL: - | | CUSTOMER DRAWING | |
| | | SCALE: 3:1 | SHEET 1 OF 2 REV A |

THIS DRAWING IS UNPUBLISHED. RELEASED FOR PUBLICATION 20
 © COPYRIGHT 20 BY TYCO ELECTRONICS CORPORATION. ALL RIGHTS RESERVED.

| LOC | DIST | REVISIONS | | | | | |
|-----|------|-----------|-----|-------------|------|-----|------|
| | | P | LTR | DESCRIPTION | DATE | DWN | APVD |
| GP | 00 | | | SEE SHEET 1 | - | - | - |
| | | | | | | | |
| | | | | | | | |
| | | | | | | | |

1. PART NUMBER CHANGES AND OR DESIGN CHANGES AFFECTING THE INTERCHANGEABILITY REQUIRE PRIOR TYCO APPROVAL AND AUTHORIZATION BY REVISION TO THIS DRAWING.
2. MATERIAL:
 INSULATOR: THERMOPLASTIC, GLASS REINFORCED, UL 94V-0
 FLAMMABILITY RATED, COLOR: BLACK
 CONTACT: COPPER ALLOY
 CROWN BAND: BERYLLIUM COPPER
 RETENTION CLIP: BERYLLIUM COPPER OR STAINLESS STEEL
3. FINISH:
 CONTACTS SIZE #12 : GOLD .000010 MIN THK.
 OVER NICKEL .00040 MIN THK.
 CONTACTS SIZE #20 : GOLD .000010 MIN THK.
 OVER NICKEL .00040 MIN THK.
 CROWN BAND: GOLD .000030 MIN THK.
 OVER NICKEL .00040 MIN THK.

△ ITEMS PROVIDED TO THIS SPECIFICATION TO BE PERMANENTLY IDENTIFIED PER THE FOLLOWING IDENTIFIER:

| | | |
|------------------|-----------------------|------|
| | YEAR | WEEK |
| | ┌ ┐ | ┌ ┐ |
| TYCO PART NUMBER | DATE CODE (e.g. 0216) | |
| XXXXXXXX-X | XXXX | |

△ CRIMP CONTACTS (ITEMS B THRU D) SHALL BE PACKAGED SEPARATELY AND PLACED IN THE BOX WITH THE CONN. ASSEMBLY.

| | | | | |
|----|----|-------------|--|------|
| △5 | 2 | 1650156-2 | CONTACT, PIN, #12, CRIMP, PREMATE, STD | D |
| △5 | 2 | 1650153-2 | CONTACT, PIN, #12, CRIMP, STD, HP | C |
| △5 | 7 | 1650155-1 | CONTACT, PIN, #20, CRIMP, STD | B |
| | 1 | 1648203-1 | HOUSING, PIN, FLOAT MOUNT | A |
| | -1 | PART NUMBER | DESCRIPTION | ITEM |

ELCON LOWER DRAWER

| | | | | |
|--|--|---|---|---------------------------------------|
| <small>THIS DRAWING IS A CONTROLLED DOCUMENT FOR TYCO ELECTRONICS CORPORATION. IT IS SUBJECT TO CHANGE AND THE CONTROLLING ENGINEERING ORGANIZATION SHOULD BE CONTACTED FOR THE LATEST REVISION.</small> | | DWN R. GRZYBOWSKI 15 JUN06 CHK S. FLICKINGER 15 JUN06 APVD S. FLICKINGER 15 JUN06 | tyco Tyco Electronics Harrisburg, PA 17105-3608 Electronics | |
| DIMENSIONS: INCHES | TOLERANCES UNLESS OTHERWISE SPECIFIED: 0 PLC ± 1 PLC ± 2 PLC ±.02 3 PLC ±.010 4 PLC ± ANGLES ±.5 FINISH | PRODUCT SPEC - APPLICATION SPEC - WEIGHT - | NAME: CONNECTOR ASSEMBLY PIN LOWER DRAWER | |
| MATERIAL | | | SIZE: A2 CAGE CODE: 00779 DRAWING NO: 1926159 RESTRICTED TO: - | SCALE: 3:1 SHEET: 2 OF 2 REV: A |
| CUSTOMER DRAWING | | | | |

单击下面可查看定价，库存，交付和生命周期等信息

[>>TE Connectivity\(泰科\)](#)