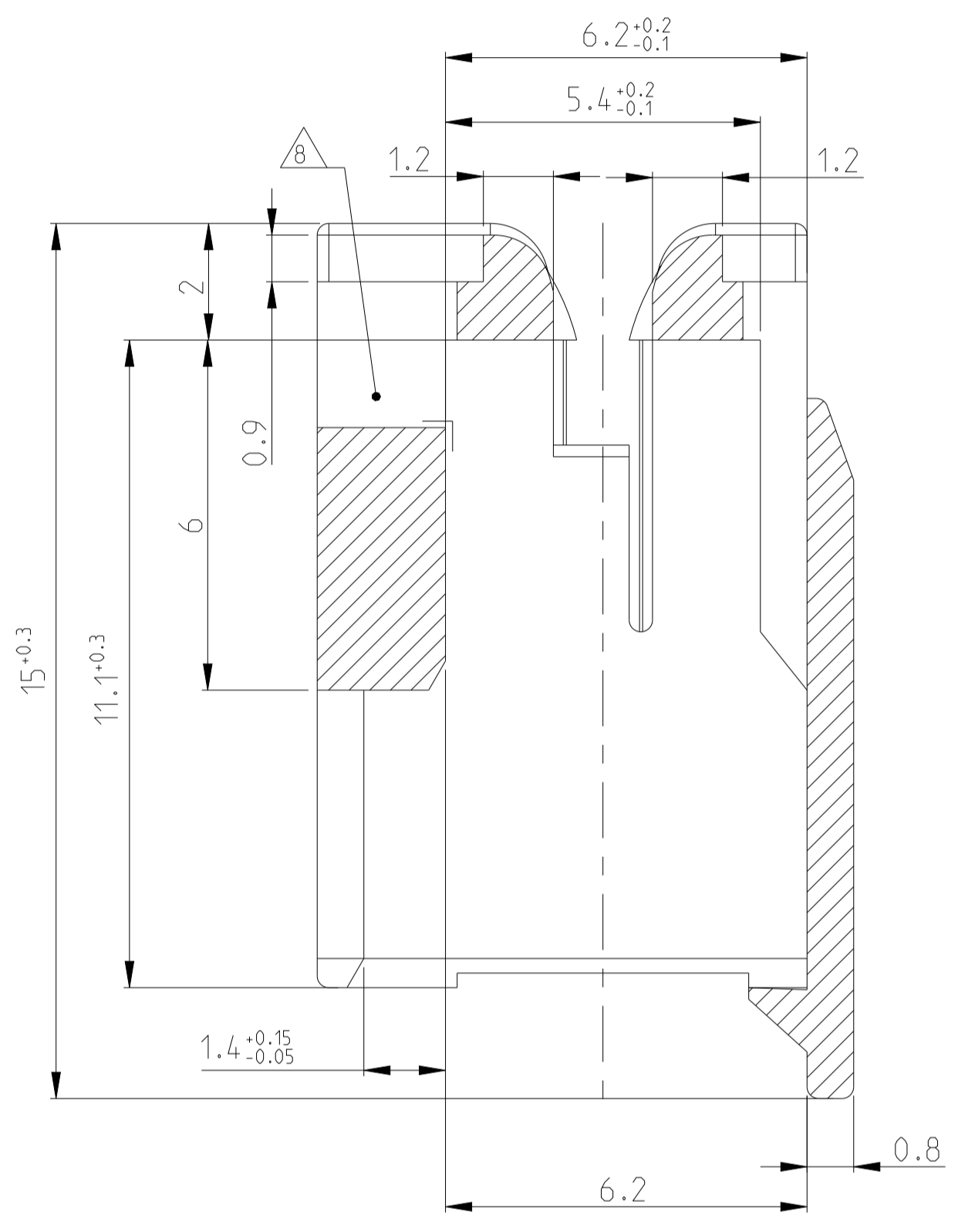
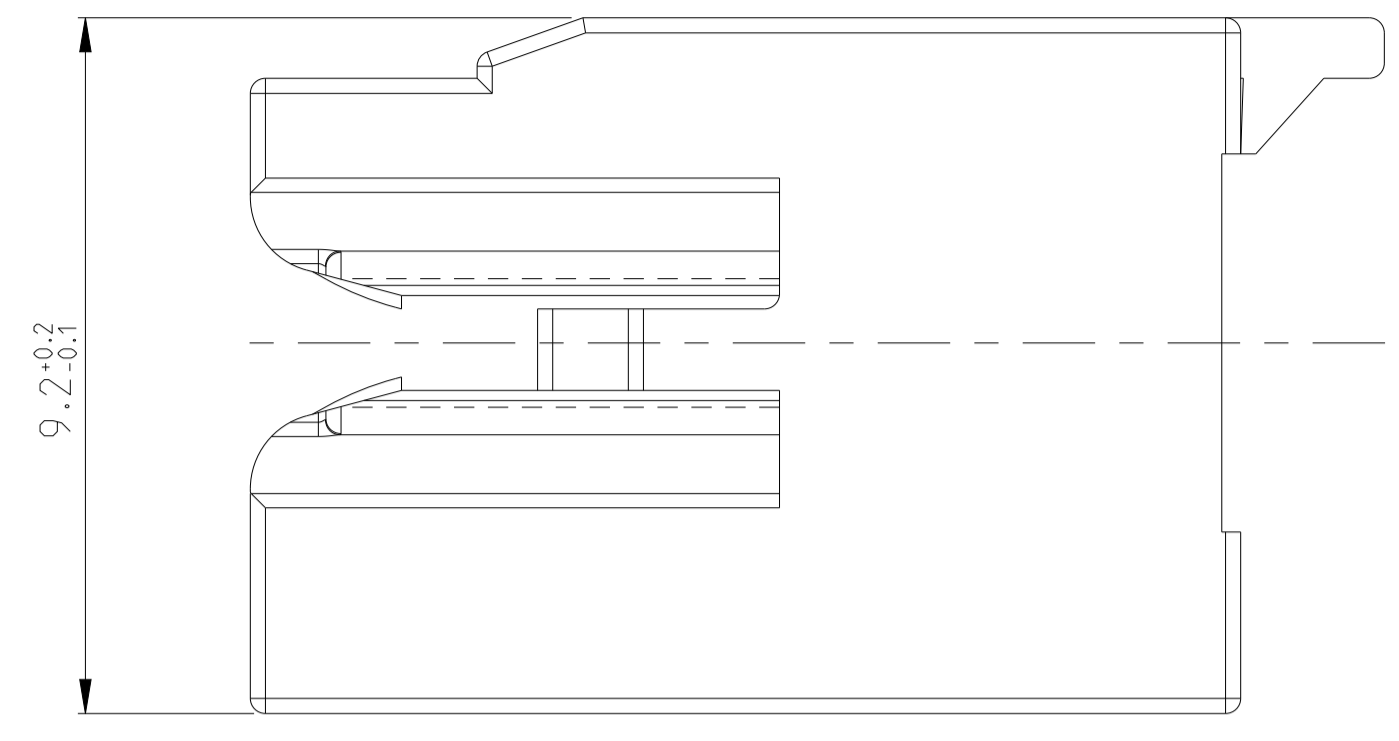
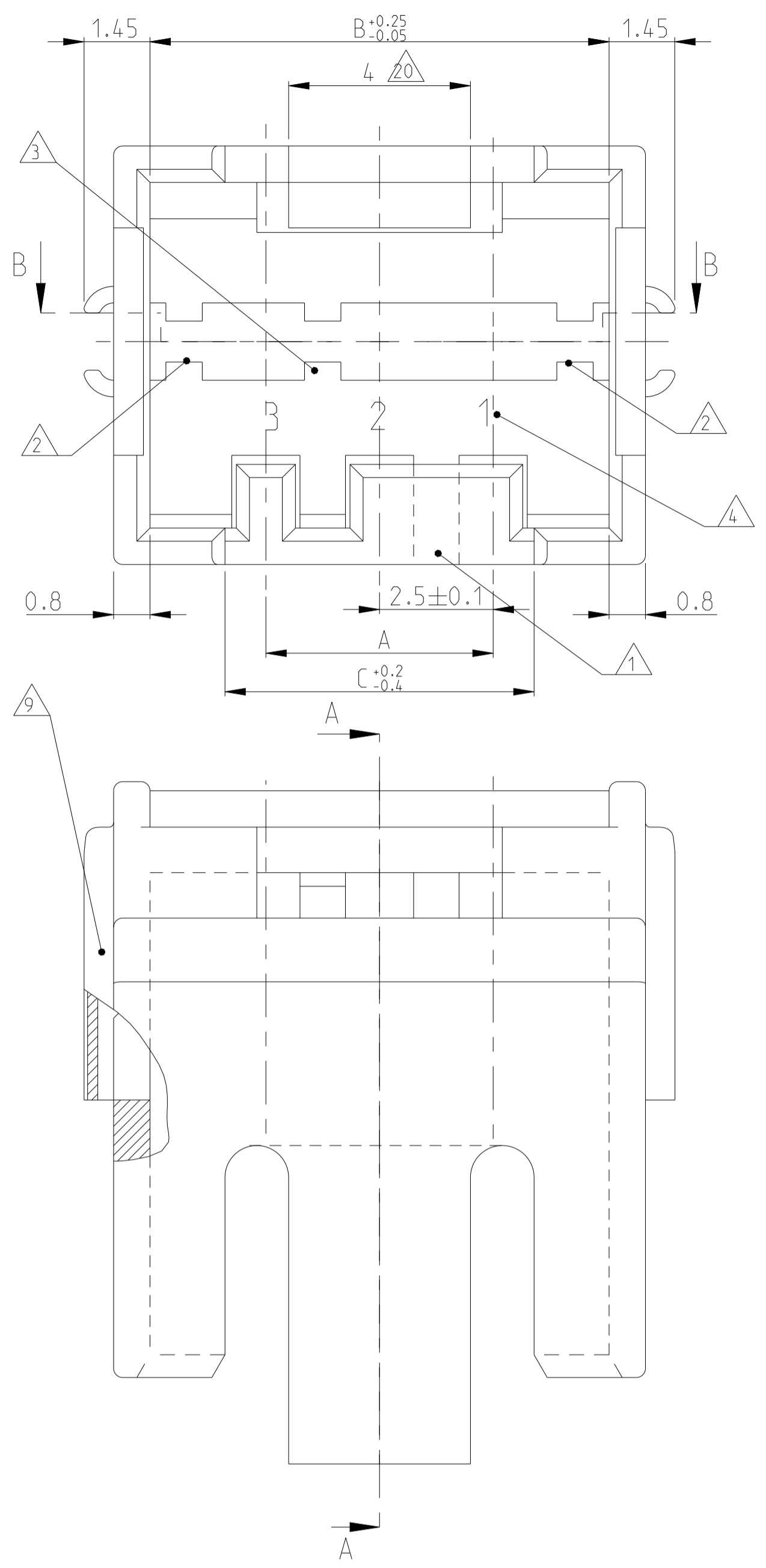
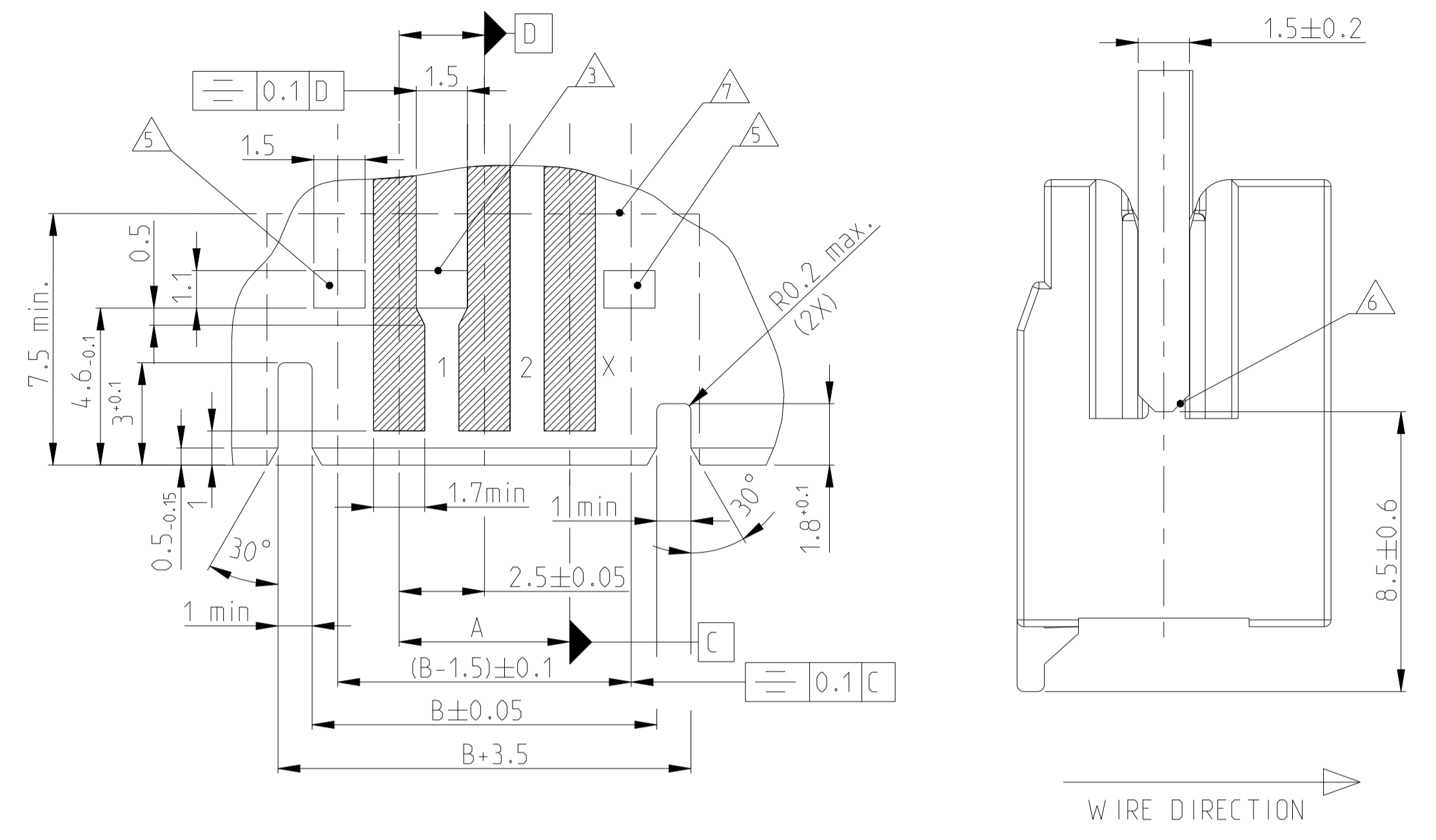


LOC		DIST		REVISIONS			
P	LTN	DESCRIPTION	DATE	OWN	APVD		
D	ECR-21-109837		25AUG2021	LZ	FL		



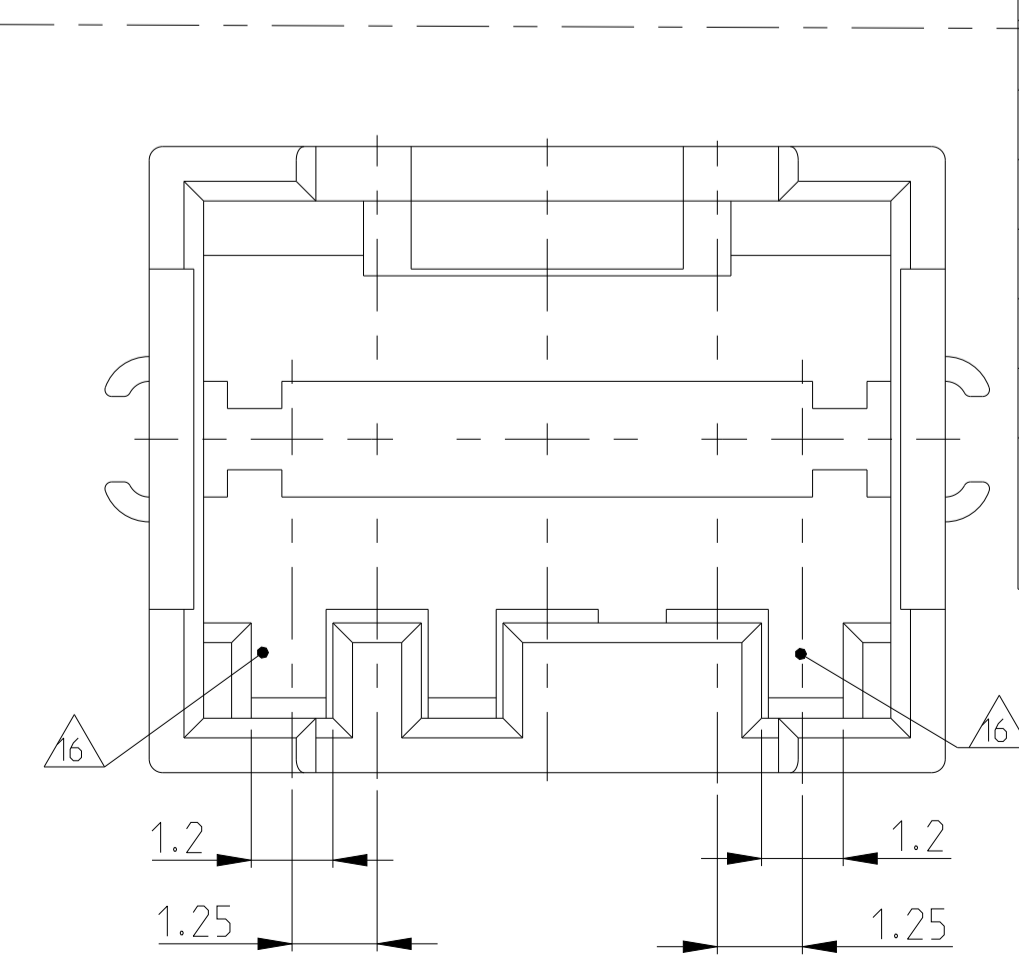
SECTION A-A



POS	DIM C	DIM B	DIM A	KEYING VERSIONS SEE SHEET 2 OF 2				REV	HOUSING PART NO			
20	49.5	52.6	47.5	-	-	-	-	1-	964576-0			
19	47	50.1	45.0	-	-	-	-	1- ¹⁸	964576-9			
18	44.5	47.6	42.5	-	-	-	-	1-	964576-8			
17	42	45.1	40.0	-	-	-	2-	1-	964576-7			
16	39.5	42.6	37.5	-	-	-	1-	1-	964576-6			
15	37	40.1	35.0	-	-	2- ¹⁸	1-	1-	964576-5			
14	34.5	37.6	32.5	-	-	-	1-	1-	964576-4			
13	32	35.1	30.0	-	-	-	1- ¹⁸	1- ¹⁸	964576-3			
12	29.5	32.6	27.5	-	6- ¹⁸	5-	4- ¹⁸	3- ¹⁸	2- ¹⁸	1- ¹⁸	964576-2	
11	27	30.1	25.0	-	-	-	-	2-	1-	964576-1		
10	24.5	27.6	22.5	-	-	3- ¹⁸	2-	1- ¹⁸	1-	964575-0		
9	22	25.1	20.0	-	-	-	2-	1-	964575-9			
9	22	25.1	20.0	-	9-	-	-	-	A	964575-9 ¹⁷		
8	19.5	22.6	17.5	-	9-	-	-	-	A	964575-8 ¹⁷		
8	19.5	22.6	17.5	-	-	-	2-	1-	C	964575-8		
7	17	20.1	15.0	-	9- ¹⁹	-	-	-	A	964575-7 ¹⁷		
7	17	20.1	15.0	-	-	4- ¹⁸	3-	2-	1-	C	964575-7	
6	14.5	17.6	12.5	-	-	-	3-	2-	1-	C	964575-6	
5	12	15.1	10.0	-	9-	8-	7-	-	A	964575-5 ¹⁷		
5	12	15.1	10.0	-	-	-	4-	3- ¹⁸	2-	1-	C	964575-5
4	9.5	12.6	7.5	-	9- ¹⁹	-	-	-	C	964575-4 ¹⁷		
4	9.5	12.6	7.5	-	-	4- ¹⁸	3-	2-	1-	C	964575-4	
3	7	10.1	5.0	-	9-	-	-	2- ¹⁸	1-	C	964575-3	
3	7	10.1	5.0	-	-	4- ²¹	-	-	D	964575-3 ¹⁷		
3	7	10.1	5.0	-	8-	7-	3-	-	A	964575-3 ¹⁷		

- 1 KODIERUNG ZWISCHEN KAMMER 1 UND 2 DARGESTELLT (AUF ANFRAGE) KEYING SHOWN BETWEEN CAVITY 1 AND 2 (ON REQUEST)
- 2 RASTHAKEN BEI ERSTER UND LETZTER KAMMER IMMER VORHANDEN LOSCKING CLIP ALWAYS ON FIRST AND LAST CAVITY
- 3 ZUSATZLICHE RASTHAKEN ZWISCHEN KAMMER-NR.SIEHE BLATT 2 VON 2 ADDITIONAL LOCKING CLIP BETWEEN CAVITY NO SEE SHEET 2 OF 2
- 4 KAMMERNUMMER CAVITY NO
- 5 RASTFENSTER IMMER VORHANDEN LOCKING WINDOW ALWAYS PRESENT
- 6 LEITERPLATTE VORZUGSWEISE ANGEFAST PCB CHAMFERED PREFERABLE
- 7 PLATZBEDARF FOR RAHMEN AREA FOR FRAME
- 8 PRÜFÖFFNUNGEN INSPECTION HOLES
- 9 KLEMMFEDERN NICHT VOL AUSGESDRITZTE KONTUR ZULÄSSIG CLIPS SHAPE NOT FULLY MOLDED PERMISSIBLE

- 10 Passende Gegenstecker siehe PN 829 868/966 194 MATING PARTS SEE PN 829 868/966 194
- 12 WITH STROKE LINE DRAWN VERSIONS NOT YET AVAILABLE
- 13, 14, 15 SIEHE BLATT 2 VON 2 SEE SHEET 2 OF 2
- 16 Aubennuten eingeengt. Varianten siehe Blatt 2) GROOVES ON OUTSIDE NARROWED. VERSIONS SEE SHEET 2
- 17 GLOW WIRE TEST 750°C ACC.DIN EN 60695-2-11 WITHOUT FLAME
- 18 OBSOLETE
- 19 PRELIMINARY PART, NOT FOR PRODUCTION
- 20 HOOK DIMENSION, NOT THE DIMENSION FOR MIDDLE WALL
- 21 PARTS WITH LOW INSERTION FORCE



THIS DRAWING IS UNPUBLISHED. RELEASED FOR PUBLICATION. COPYRIGHT BY TYCO ELECTRONICS CORPORATION. ALL RIGHTS RESERVED.

OWN: AITZMANN 06JULY2019
 CHK: BORMUTH 06JULY2019
 APVD: -

NAME: AMP DUOPLUG 2.5 SYSTEM PCB RAHMEN
 AMP DUOPLUG 2.5 SYSTEM PCB FRAME (3-20 Posn)

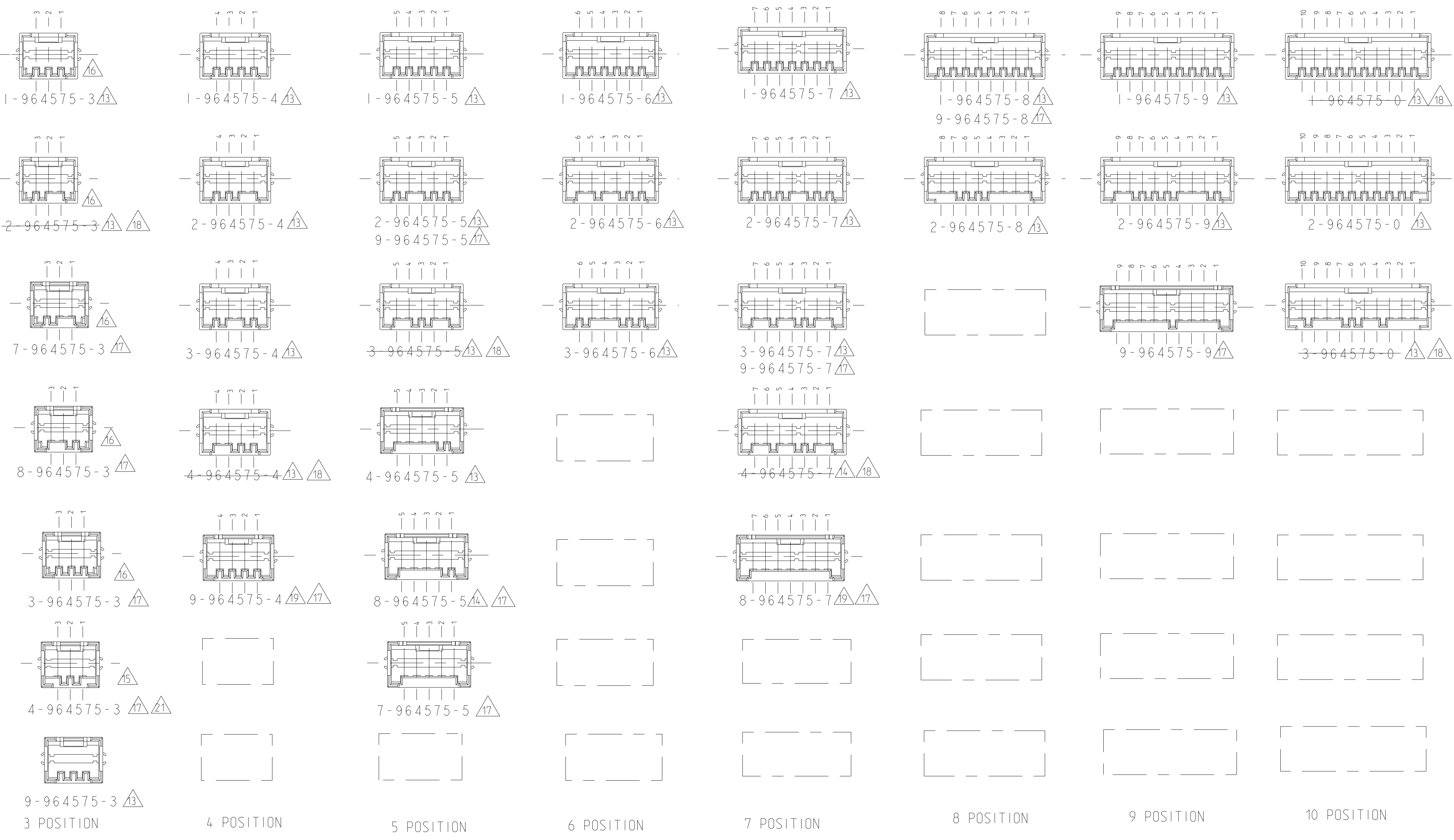
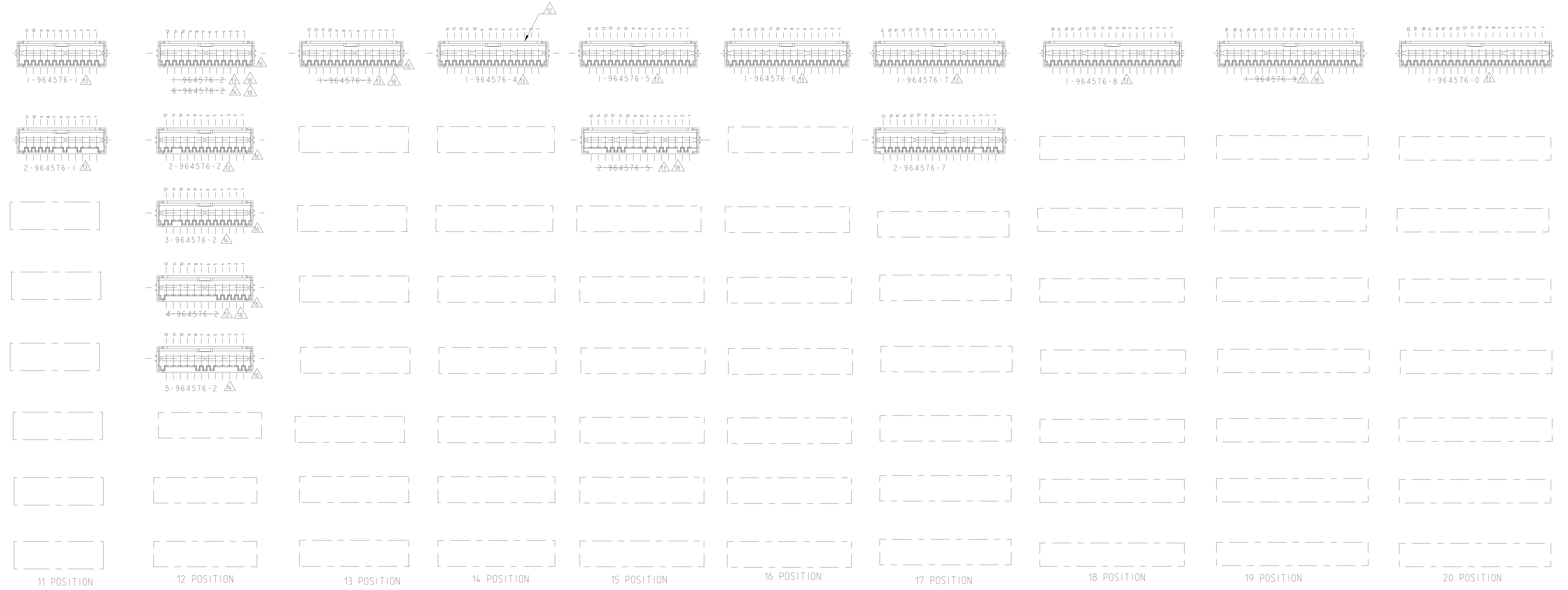
PRODUCT SPEC: -
 APPLICATION SPEC: -

SIZE: A1
 CAGE CODE: -
 DRAWING NO: 964575
 RESTRICTED TO: -

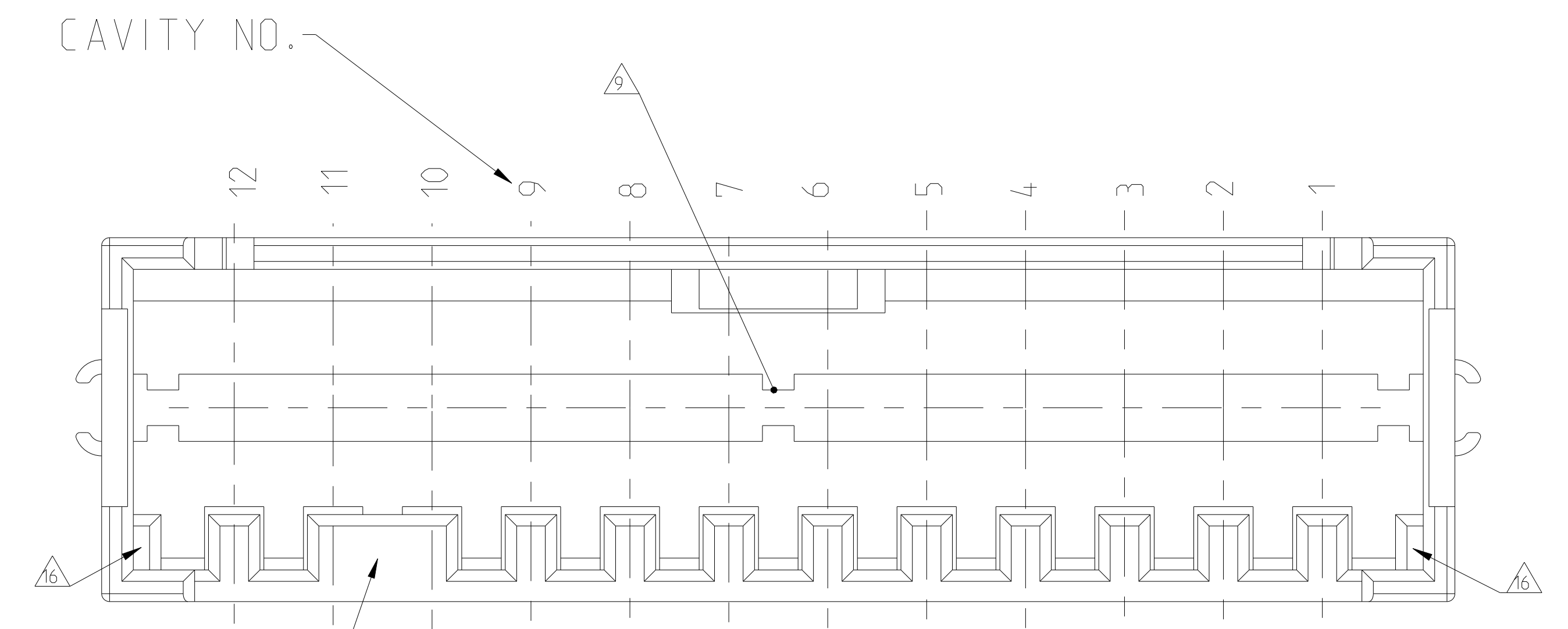
MATERIAL: PA 6.6 25%GF UL94 V-0
 FINISH: -

WEIGHT: -
 CUSTOMER DRAWING: -

SCALE: 8:1
 SHEET: 1 OF 2
 REV: D



EXAMPLE:



KEYING BETWEEN CAVITY 10 AND 11

- ▲ COLOR: BLACK
- ▲ COLOR: NATURAL (REDBROWN)
- ▲ NATURAL (BEIGE)

DIMENSIONS:		DATE: 06 JULY 2019		DRAWN BY: A. ZMANN	
TITLE:		CHECKED BY: CH. BURMUTH		DATE: 06 JULY 2019	
MATERIAL:		PRODUCT SPEC:		NAME: AMP DUOPLUG SYSTEM PCB FRAME	
FINISH:		APPLICATION SPEC:		AMP DUOPLUG SYSTEM PCB RAHMEN	
		WEIGHT:		3-20 Posn.	
		CUSTOMER DRAWING:		SIZE: A0	
				SCALE: 2:1	
				SHEET: 2 of 2	
				REV: 0	

单击下面可查看定价，库存，交付和生命周期等信息

[>>TE Connectivity\(泰科\)](#)