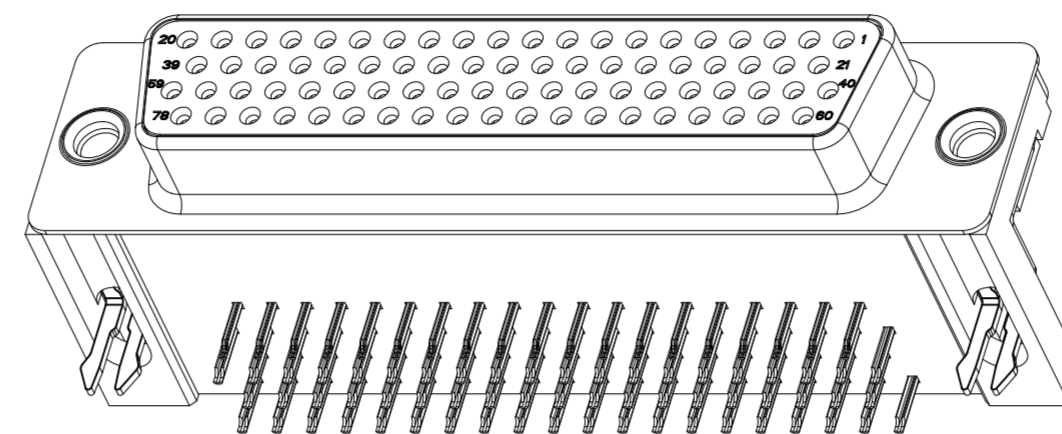
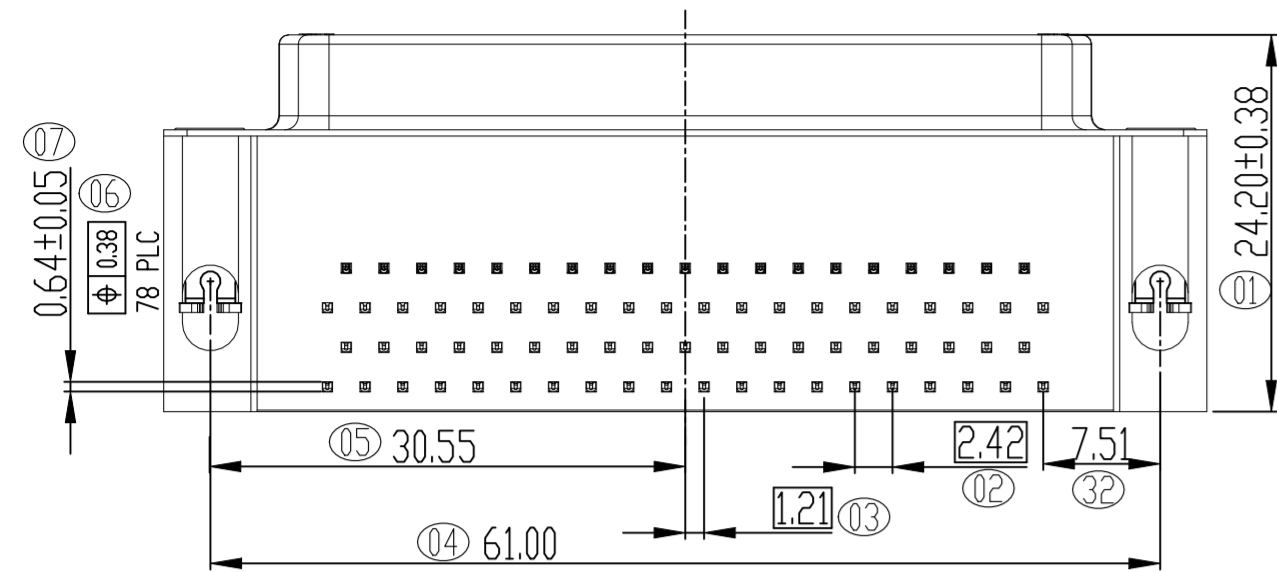


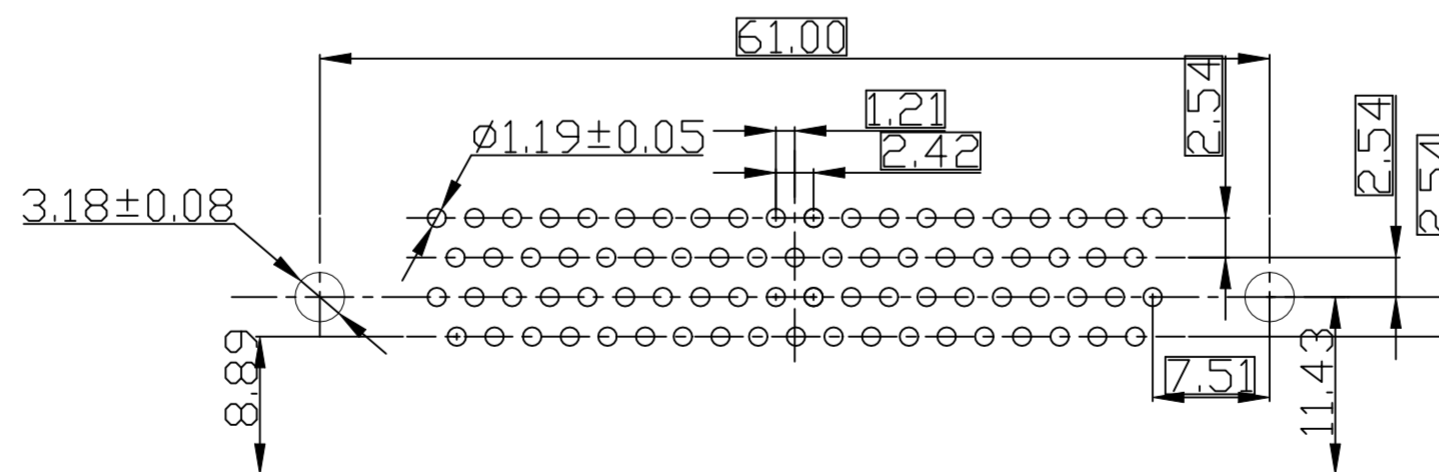
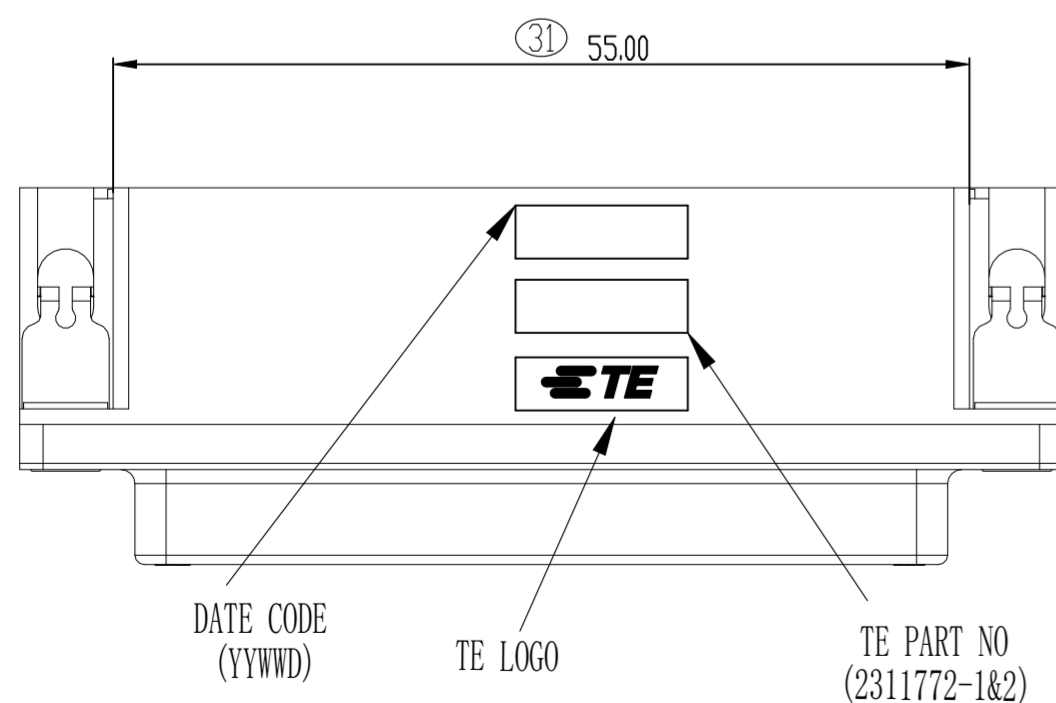
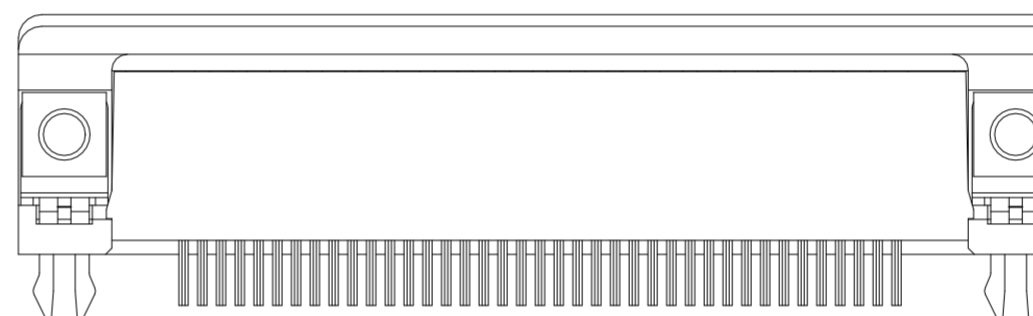
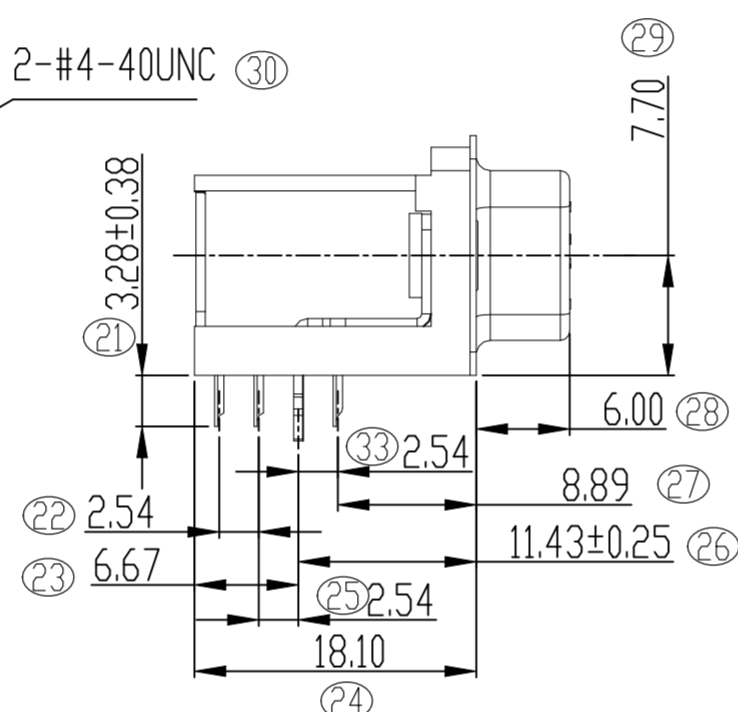
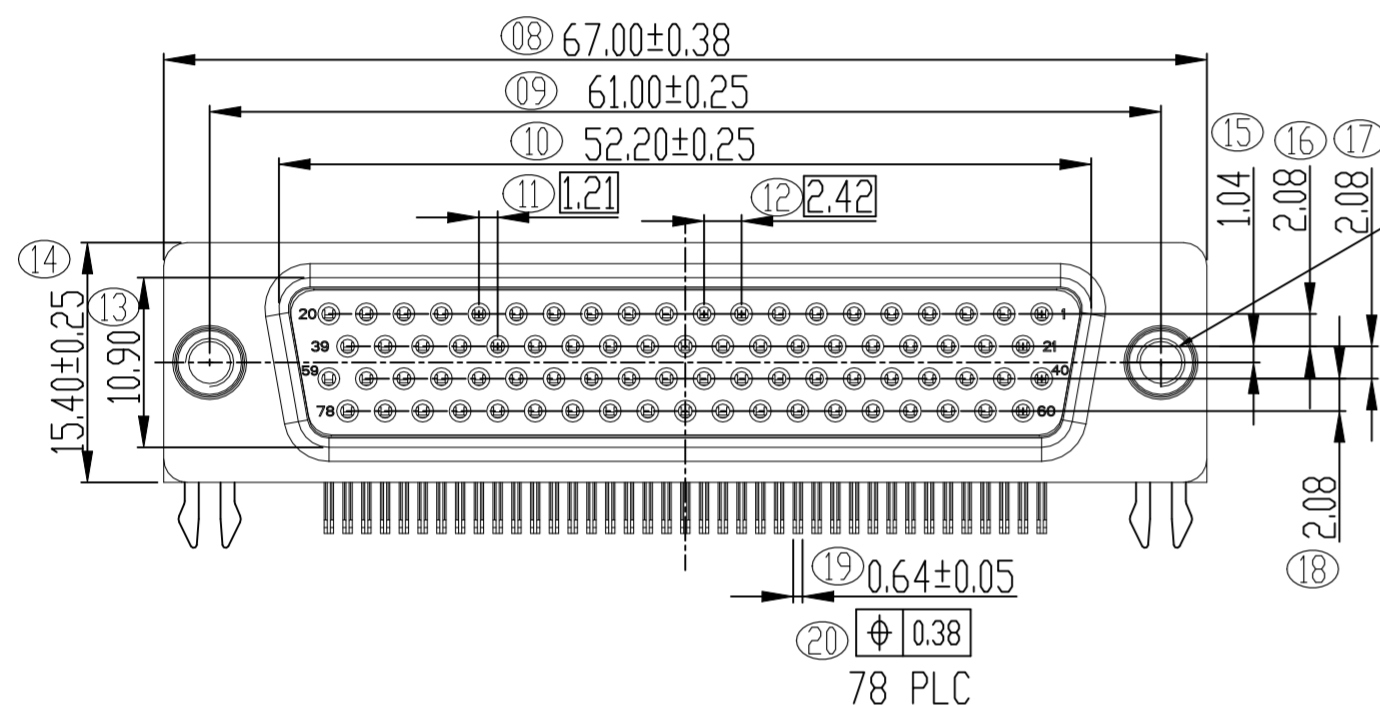
| REVISIONS | | | | | |
|-----------|-----|---------------|-----------|-----|------|
| P | LTR | DESCRIPTION | DATE | DWN | APVD |
| G | | ECO-21-004845 | 16APR2021 | RR | SZ |

NOTES:

- MATERIAL:
HOUSING: PBT WITH 30% GF, UL 94V-0, COLOR: BLACK.
CONTACTS: PHOSPHOR BRONZE.
BOARDLOCKS: BRASS.
SHELL: STEEL.
RIVET: COPPER ALLOY (C3602).
- FINISH:
CONTACTS: 0.762µm[30µ"] MIN. GOLD PLATED ON CONTACT AREA,
3.04µm[120µ"] MIN. MATTE-TIN PLATED ON SOLDER TAIL,
1.27µm[50µ"] MIN. NICKEL UNDERPLATED OVER ALL.
BOARDLOCKS: 2.54µm [100µ"] MIN. TIN (SEE CHART),
1.27µm [50µ"] MIN. NICKEL UNDERPLATED OVERALL.
SHELL: 2.54µm[100µ"] MIN. NICKEL PLATED.
RIVET: 1.27µm[50µ"] MIN. NICKEL PLATED.
- RECOMMENDED PCB THICKNESS: 1.6mm.
- FOUR DIGIT DATE CODE IN THIS FORMAT:
YEAR YY WW MANUFACTURING WEEK



3D VIEW (S=1:1)



RECOMMENDED PCB LAYOUT
TOLERANCE: ±0.05 (T=1.6mm)

| | | | |
|----------------------|----------|-------------------------|-----------|
| MATTE | THREADED | 30µ" Au | 2311772-2 |
| BRIGHT | THREADED | 30µ" Au | 2311772-1 |
| Boardlock Plating | TYPE | Contact Area Plating | P/N |

| | | | | |
|--|--|------------------------------------|--|---------------|
| THIS DRAWING IS A CONTROLLED DOCUMENT. | | DWN AJITH PAI 10MAR2017 | TE Connectivity | |
| DIMENSIONS: mm | | CHK DANIEL GORENC 10MAR2017 | NAME AMPLIMITE RECEPTACLE, HD22, RIGHT ANGLE, 78P | |
| TOLERANCES UNLESS OTHERWISE SPECIFIED: 0 PLC ± 0.5 1 PLC ± 0.38 2 PLC ± 0.25 3 PLC ± - 4 PLC ± - ANGLES ± 3° | | APVD DANIEL GORENC 10MAR2017 | PRODUCT SPEC 108-130024 | |
| MATERIAL | | FINISH | WEIGHT | RESTRICTED TO |
| - | | - | - | - |
| CUSTOMER DRAWING | | SCALE 1:1 | SHEET 1 of 1 | REV G |

单击下面可查看定价，库存，交付和生命周期等信息

[>>TE Connectivity\(泰科\)](#)