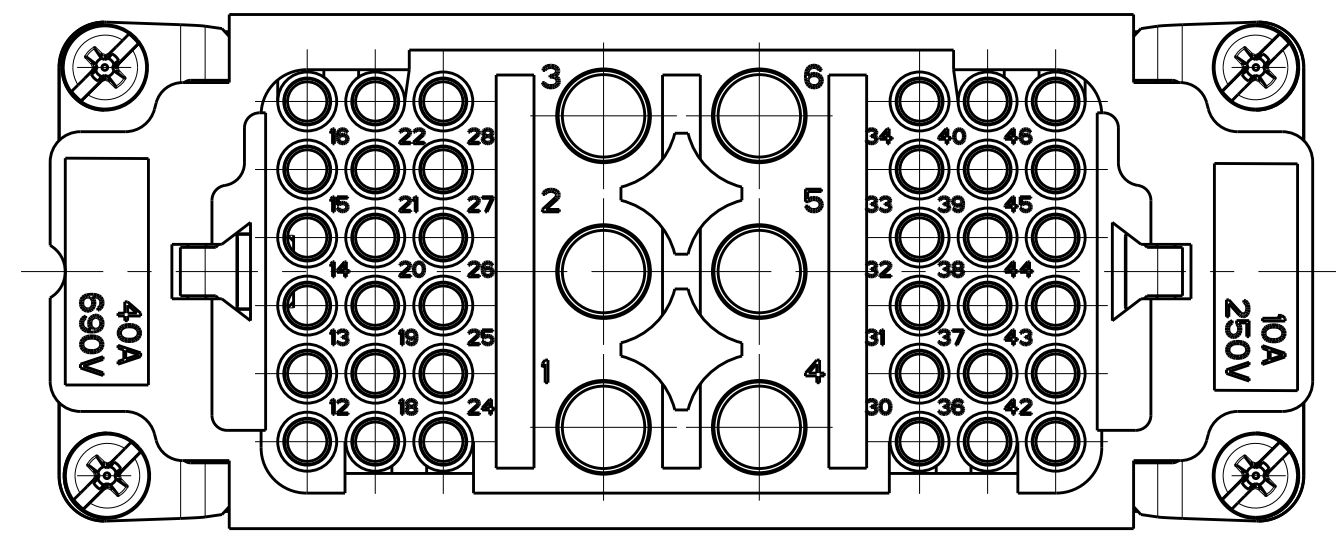


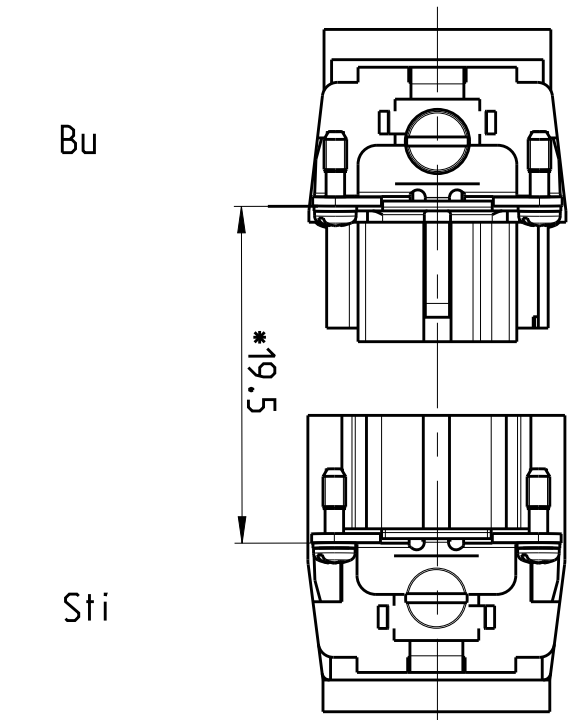
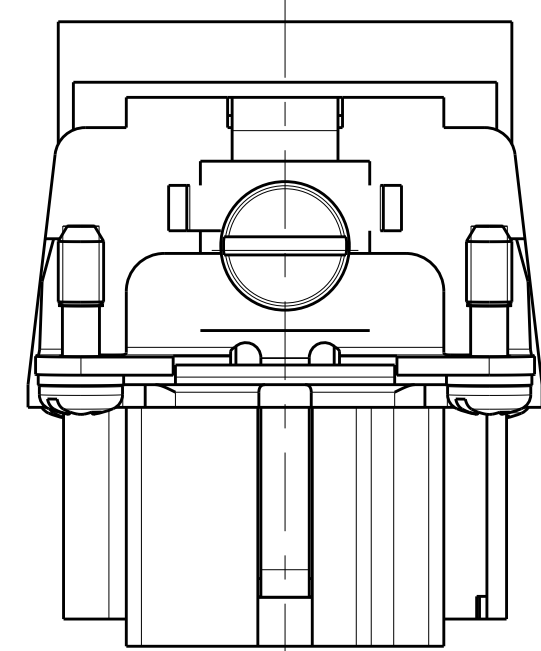
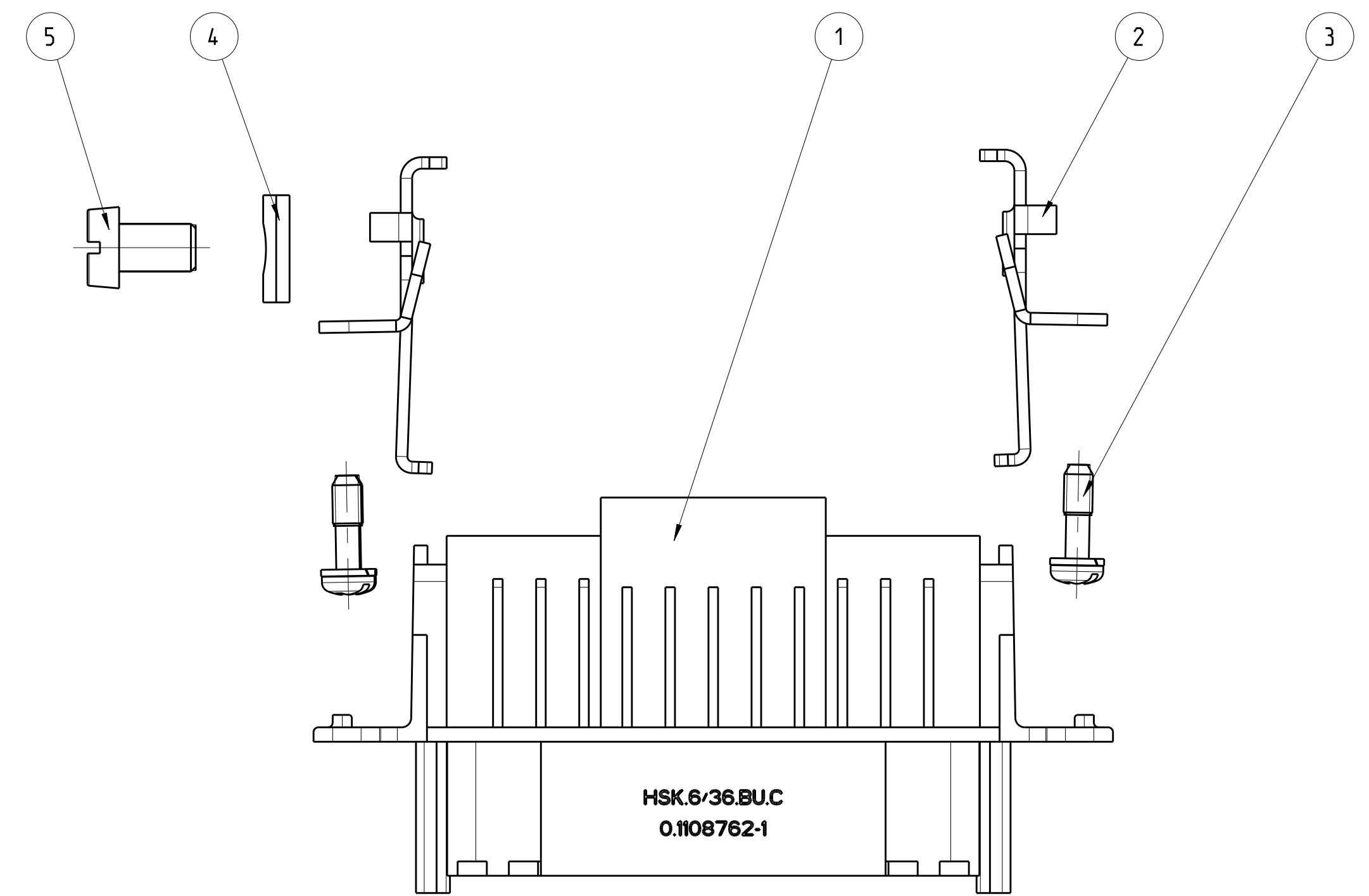
| LOC | DIST | REVISIONS |     |               |           |     |      |
|-----|------|-----------|-----|---------------|-----------|-----|------|
|     |      | P         | LTR | DESCRIPTION   | DATE      | DWN | APVD |
| A1  | -    | B1        |     | ECR-09-026756 | 09FEB2010 | SR  | ME   |
|     |      | B2        |     | ECR-17-014051 | 04APR2017 | SG  | MKO  |

PANEL CUT-OUT FOR CONTACT INSERT  
 WHEN USED WITHOUT HOUSING



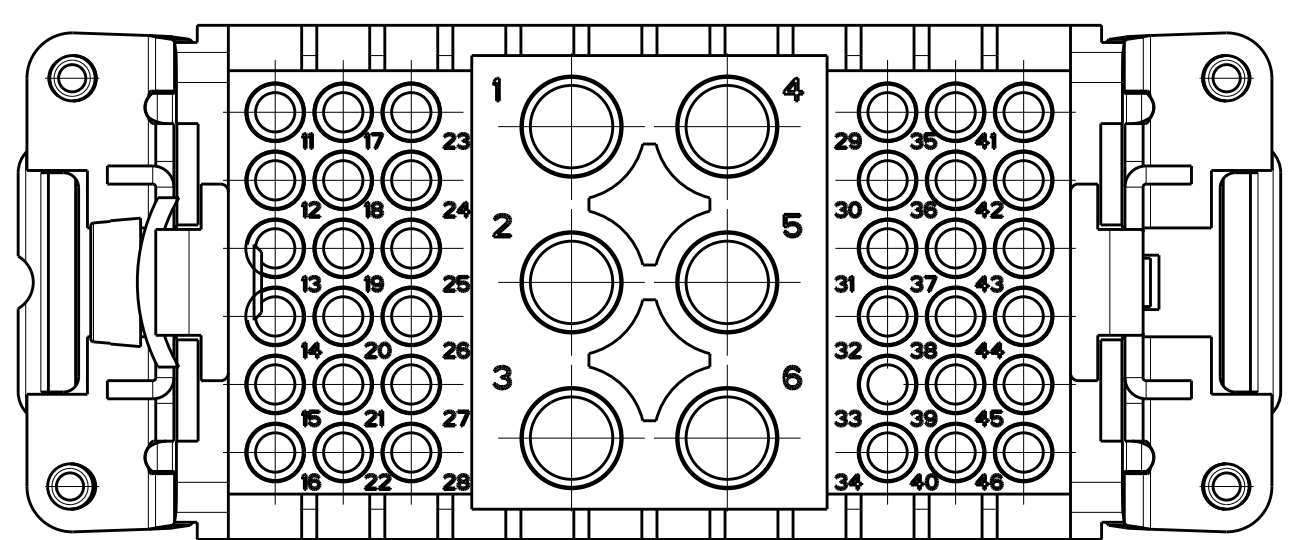
NOTES

- 1 POWER CONTACT : 1 TO 12  
 OUTER DIMENSIONS OF INSULATION: MAX.  $\varnothing 6.5\text{mm}$   
 SIGNAL CONTACT: A AND B  
 OUTER DIMENSIONS OF INSULATION: MAX.  $\varnothing 3.2\text{mm}$
- 2 SUITABLE HOOD SIZE 6  
 SERIES HB, HD, EMV, AND HIP
- △ GROUNDING CONTACT
- 4 STANDARDS:  
 DIN EN 61984; DIN EN 60664-1
- 5 PACKAGING:  
 5 PIECES IN A CARTON BOX



HSK.6/36.BUC  
 0.1108762-1

CONTACT ARRANGEMENT VIEW FROM  
 TERMINATION SIDE



\*DISTANCE ARRANGEMENT  
 VIEW FROM TERMINATION SIDE

SUPERSEDED BY T21204/22201-000

| QTY | DESCRIPTION             | MATERIAL    | SURFACE       | ITEM |
|-----|-------------------------|-------------|---------------|------|
| 1   | CYLINDER SCREW, M5      | STEEL       | NICKEL PLATED | 5    |
| 1   | CLIP TAB                | STEEL       | NICKEL PLATED | 4    |
| 4   | FIXING SCREW ASSY       | STEEL       | NICKEL PLATED | 3    |
| 2   | GRUNDING CONTACT-SOCKET | Cu Zn37 F38 | NICKEL PLATED | 2    |
| 1   | SOCKET INSERT           | VALOX       |               | 1    |
| 0-1 |                         |             |               |      |

THIS DRAWING IS A CONTROLLED DOCUMENT. DWN R.SCHNEIDER 09FEB2010  
 CHE T.SCHNURPEIL 09FEB2010

**STE** TE Connectivity

NAME HSK.6/36 FEMALE INSERT HSK.6/36  
 ASSY HSK.6/36

SIZE CAGE CODE DRAWING NO RESTRICTED TO  
 A1 00779 C=1108762

CUSTOMER DRAWING SCALE 5:1 SHEET 1 OF 1 REV B2

DIMENSIONS: mm  
 TOLERANCES UNLESS OTHERWISE SPECIFIED:  
 0 PLC # # # #  
 1 PLC # # # #  
 2 PLC # # # #  
 3 PLC # # # #  
 4 PLC # # # #  
 ANGLES # # # #  
 FINISH # # # #

单击下面可查看定价，库存，交付和生命周期等信息

[>>TE Connectivity\(泰科\)](#)