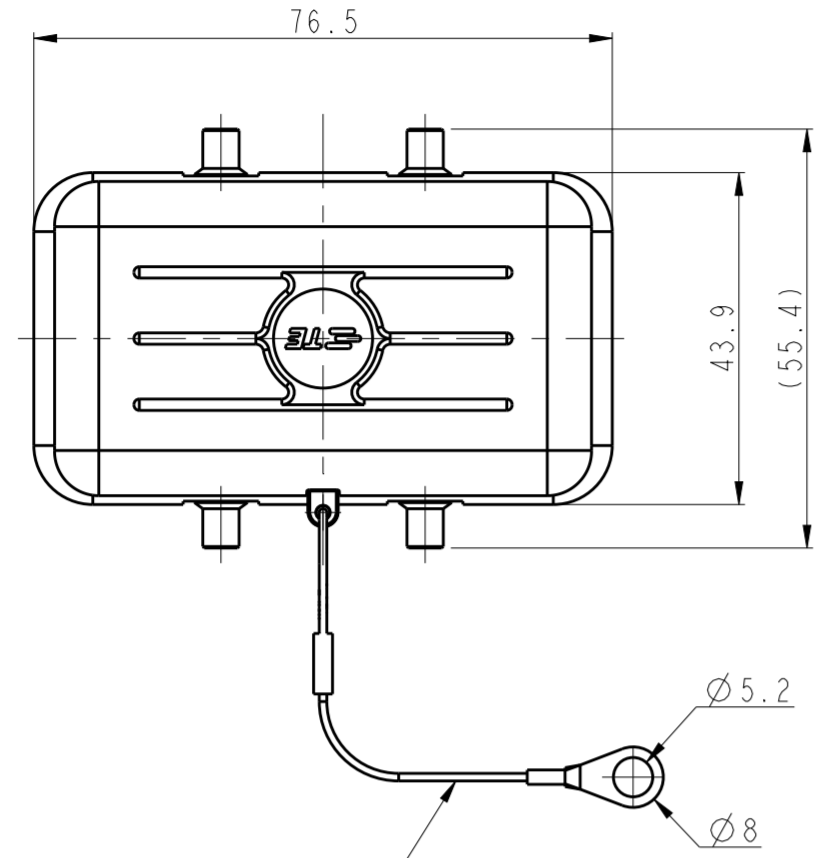
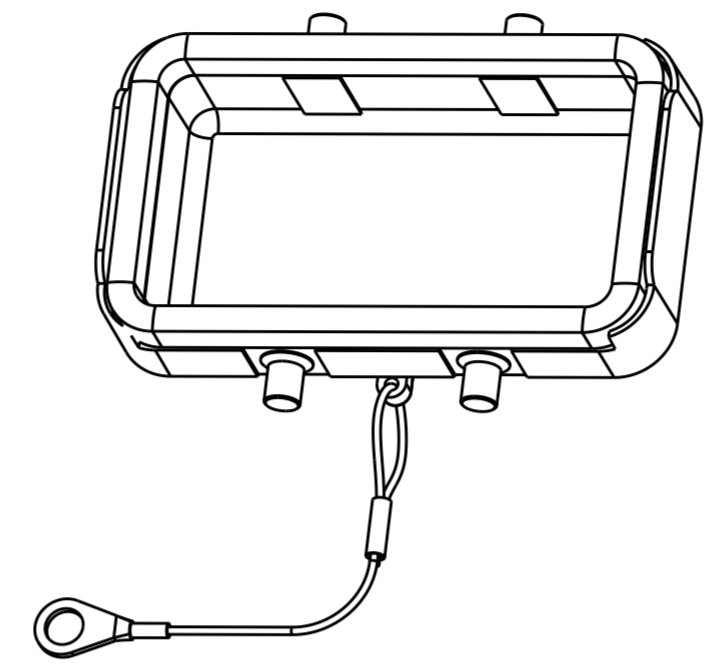


THIS DRAWING IS UNPUBLISHED. RELEASED FOR PUBLICATION
 © COPYRIGHT copyright.d8Te- ALL RIGHTS RESERVED.

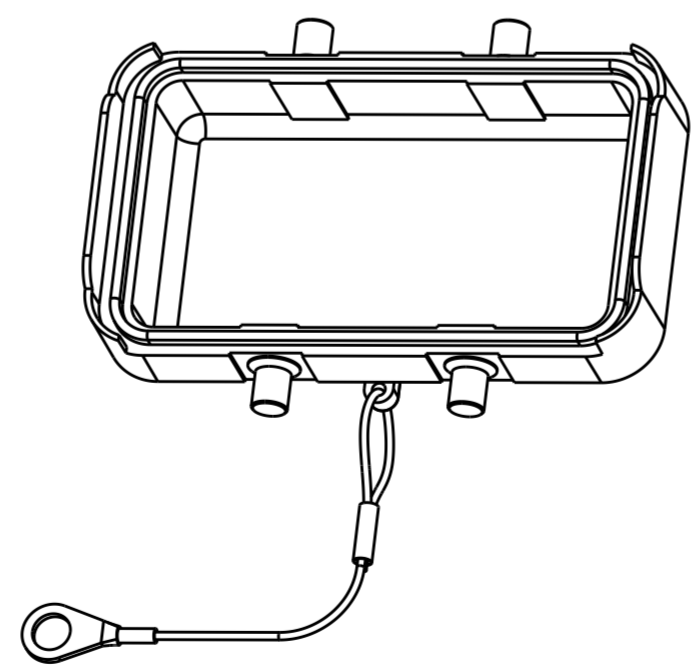
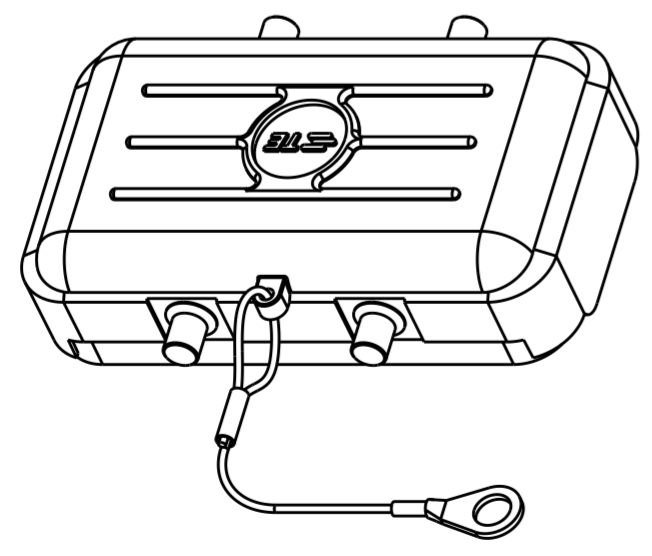
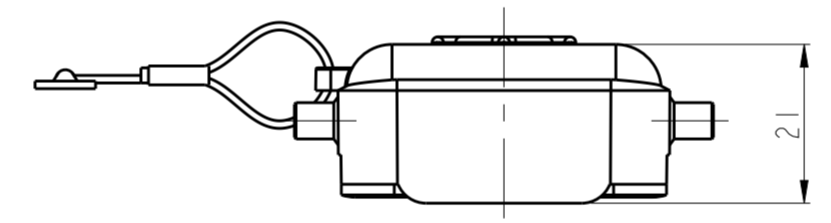
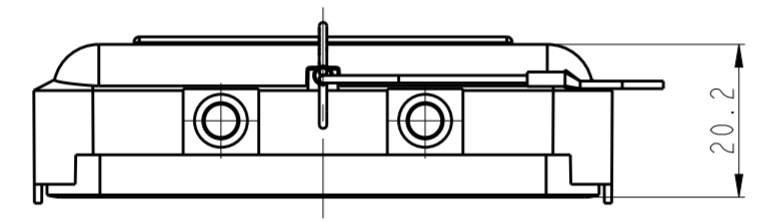
REVISIONS				
P	LTR	DESCRIPTION	DATE	APVD
	A	INITIAL	18JAN2017	CH CW



TRANSPARENT NYLON ROPE:
 TOTAL LENGTH 250±5mm,
 DIA. Ø1.0mm
 透明尼龙绳: 总长250±5mm, 直径Ø1.0mm



TYPE 2: THIS TYPE IS SAME AS TYPE1,
 ONLY ADD SEALING.
 类型2: 此类型同类型1, 只是增加了密封.



TYPE 1
 类型1

NOTES:
 1. TECHNICAL CHARACTERISTICS:
 COVER MATERIAL: PC, GREY
 SEALING MATERIAL: NBR, BLACK
 注释:
 1. 技术参数:
 保护盖材料: PC, 灰色
 密封材质: NBR, 黑色

PART NUMBER	PART DESCRIPTION	TYPE
料号	描述	类型
T1010102200-000	H10B-KDBP-R H10B HOUSING PLASTIC PROTECTION COVER, 4 EAR, SEALING, NYLON ROPE, GREY H10B下壳塑料保护盖, 4耳, 带密封, 尼龙绳, 灰色	TYPE 2 类型2
T1010102100-000	H10B-KDBP H10B HOUSING PLASTIC PROTECTION COVER, 4 EAR, WITHOUT SEALING, NYLON ROPE, GREY H10B下壳塑料保护盖, 4耳, 不带密封, 尼龙绳, 灰色	TYPE 1 类型1

THIS DRAWING IS A CONTROLLED DOCUMENT.		DWN CHARLIE HU 18JAN2017	TE Connectivity															
DIMENSIONS: mm		CHK KYLE ZENG 18JAN2017																
TOLERANCES UNLESS OTHERWISE SPECIFIED:		APVD CHRIS WANG 18JAN2017	NAME H10B-KDBP / H10B-KDBP-R															
<table border="1"> <tr><td>0 PLC</td><td>±</td></tr> <tr><td>1 PLC</td><td>±</td></tr> <tr><td>2 PLC</td><td>±</td></tr> <tr><td>3 PLC</td><td>±</td></tr> <tr><td>4 PLC</td><td>±</td></tr> <tr><td>ANGLES</td><td>±</td></tr> <tr><td>FINISH</td><td>±</td></tr> </table>		0 PLC	±	1 PLC	±	2 PLC	±	3 PLC	±	4 PLC	±	ANGLES	±	FINISH	±	PRODUCT SPEC -	SIZE A2	
0 PLC	±																	
1 PLC	±																	
2 PLC	±																	
3 PLC	±																	
4 PLC	±																	
ANGLES	±																	
FINISH	±																	
MATERIAL -		APPLICATION SPEC -	CAGE CODE -	DRAWING NO G-T1010102X00000														
-		WEIGHT -	RESTRICTED TO -	SCALE 1:1														
-		CUSTOMER DRAWING	SHEET 1	OF 1														
-			REV A															

单击下面可查看定价，库存，交付和生命周期等信息

[>>TE Connectivity\(泰科\)](#)