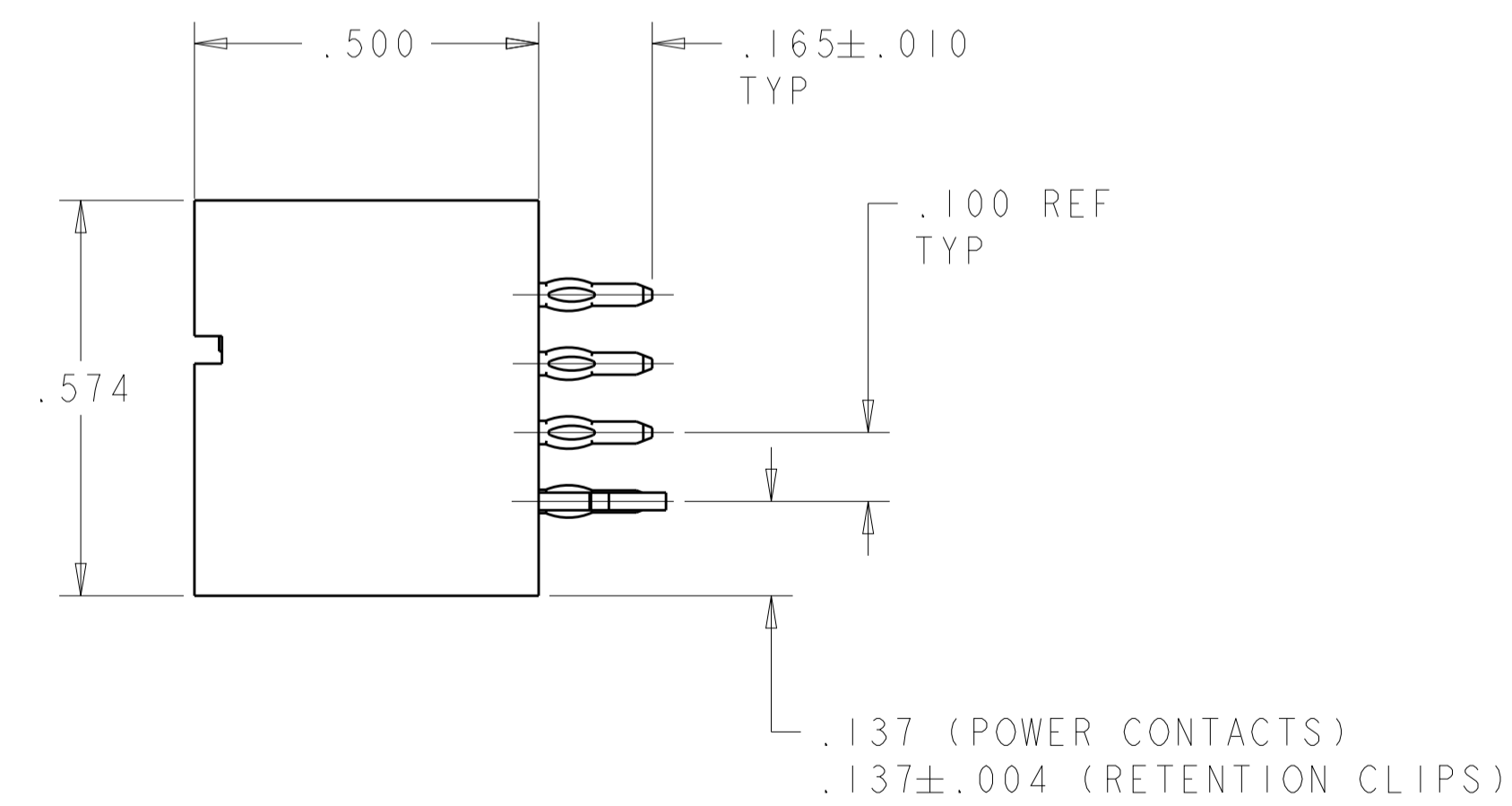
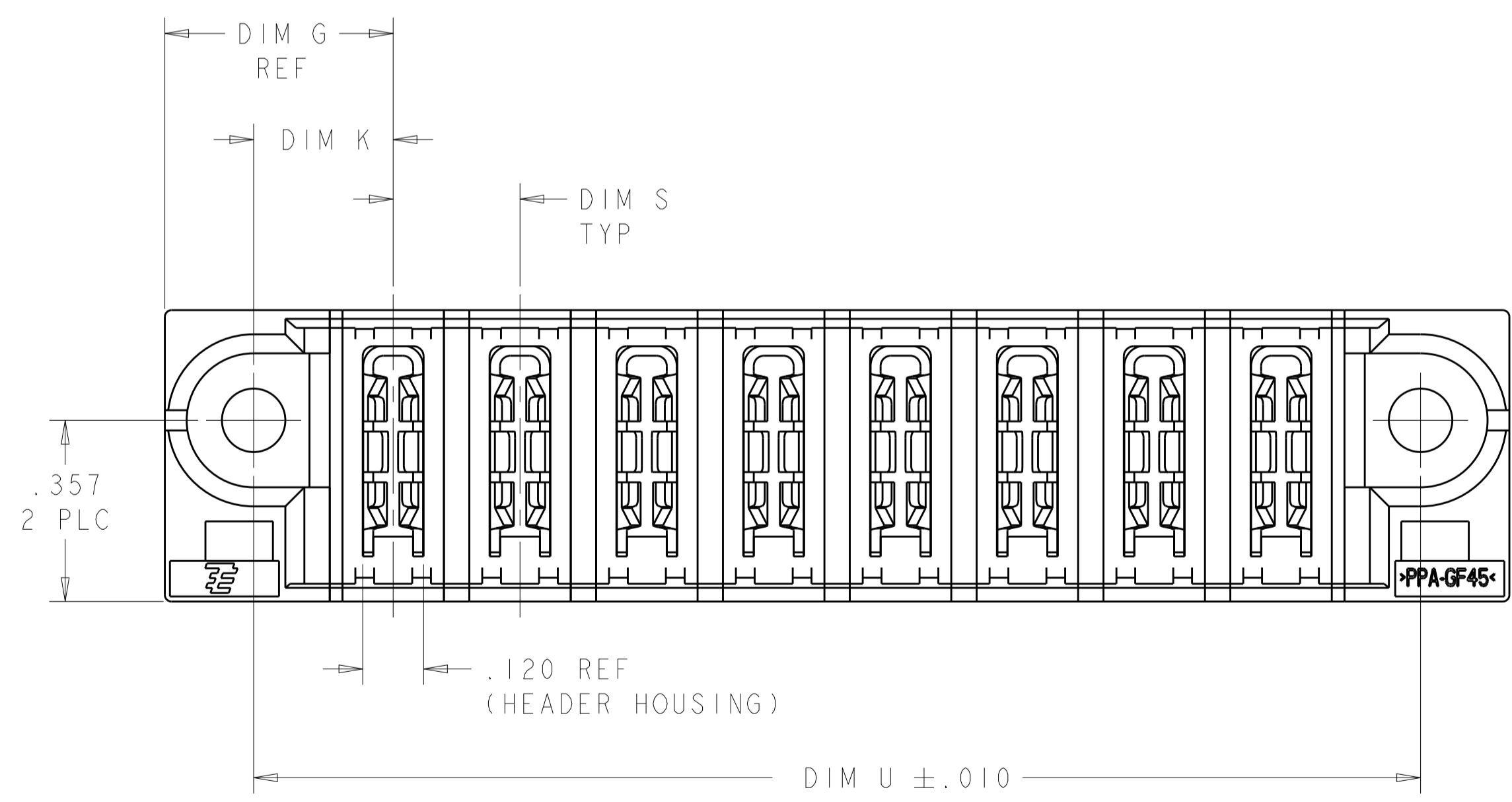
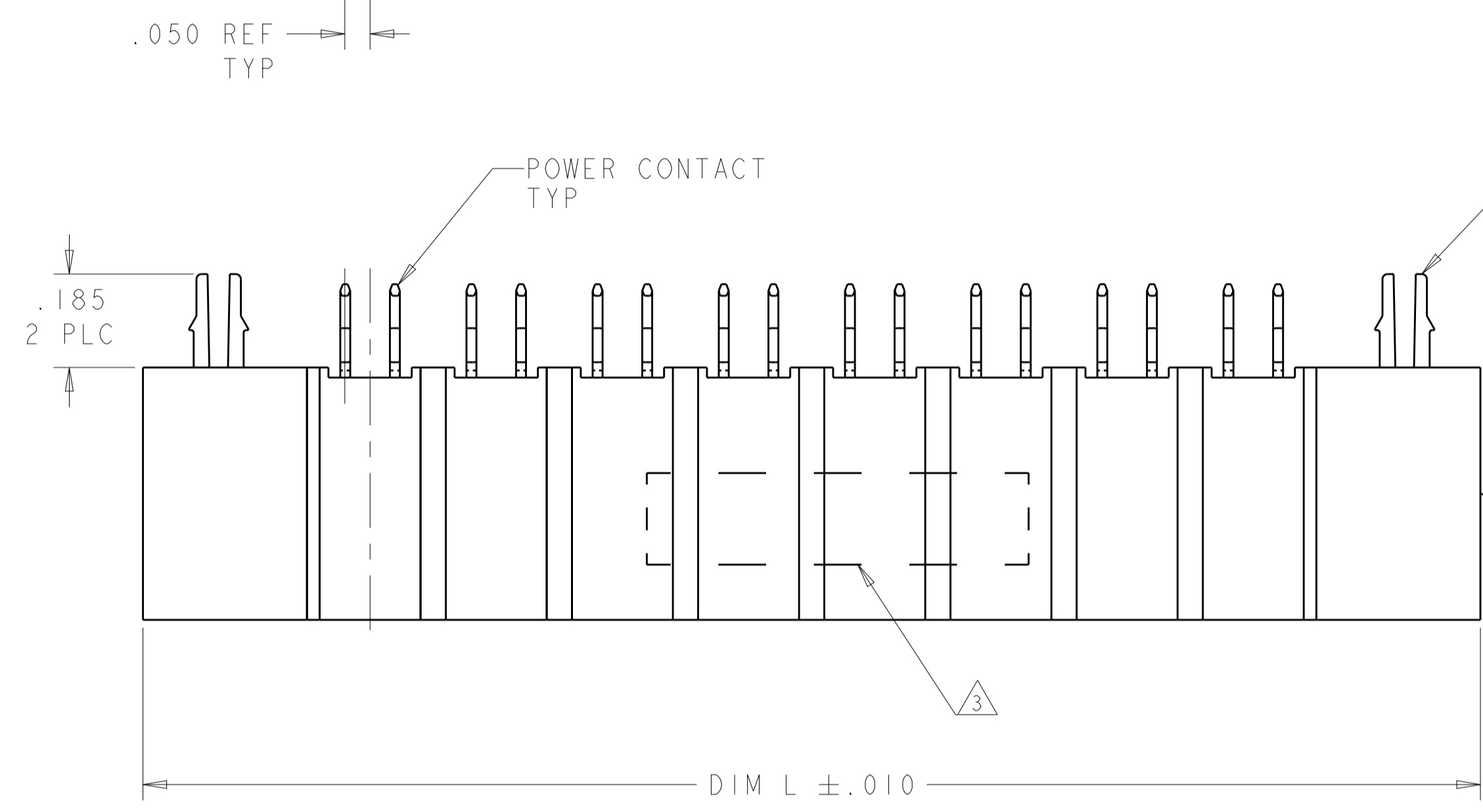
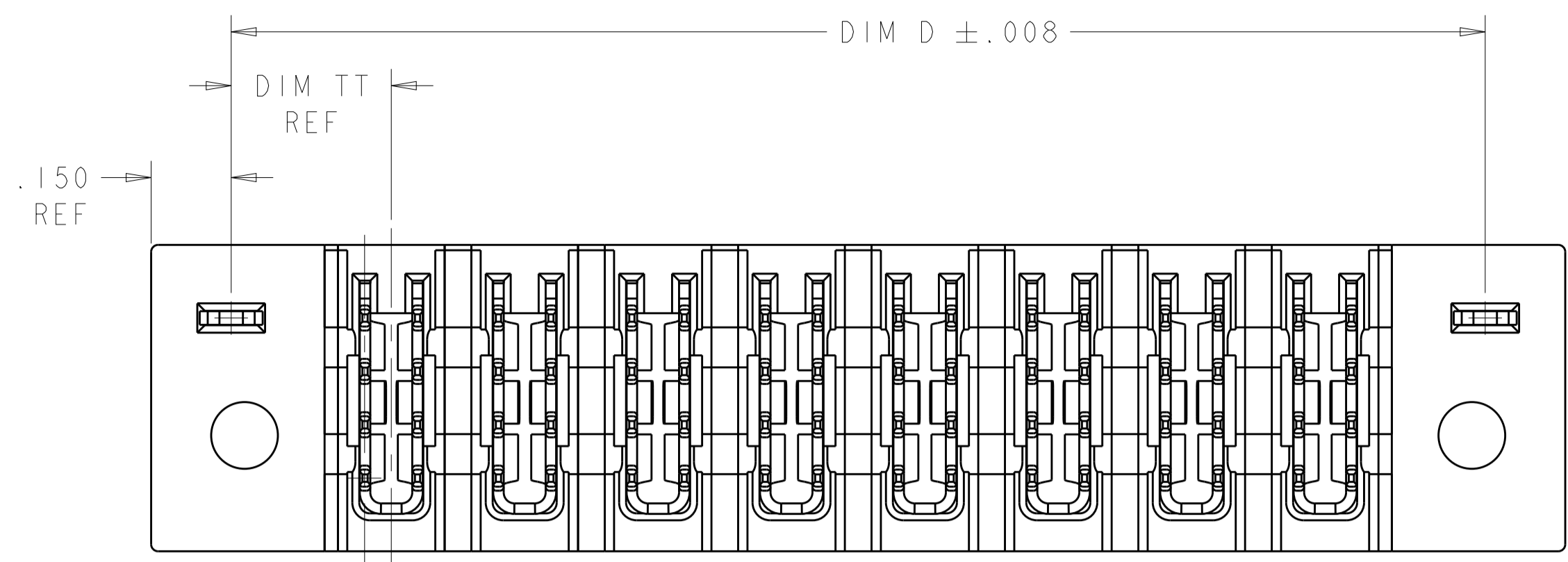


LOC	DIST	REVISIONS			
P	LTN	DESCRIPTION	DATE	DMN	APVD
B7		REV PER ECR-12-018925	31OCT2012	CZ	SZ
B8		REV PER ECR-14-002489	25FEB2014	OL	SZ



- △ HEADER HOUSING: THERMO PLASTIC, BLACK, UL94 V-0; CONTACTS AND RETENTION CLIPS: COPPER ALLOY.
- △ CONTACT PLATING: NOBLE METAL PLATING ON CONTACT FUNCTIONAL AREA OF POWER CONTACTS
- △ RETENTION CLIP: .000115 MIN TIN.
- △ "AMP", PART NUMBER AND DATE CODE MARKED IN THIS AREA. PARTS UNDER 2.50 LONG MAY BE MARKED ON BOTH SIDES.
- △ DATUM AND BASIC DIMENSIONS ESTABLISHED BY CUSTOMER.
- △ PCB - ALL HOLE DIAMETERS ARE FINISHED HOLE SIZES.
- 6. A SEATING TOOL IS REQUIRED TO SEAT THE HEADER ON THE P.C. BOARD. PLEASE REFER TO THE 114-13038 APPLICATION SPEC.
- △ MECHANICAL CONNECTOR KEEP OUT ZONE.
- △ NO RELEASED FOR PRODUCTION

THIS DRAWING IS A CONTROLLED DOCUMENT.		DMN D. RINGLER 15MAR06	TE Connectivity												
DIMENSIONS: INCHES		CHK M. PERCHERKE 15MAR06													
TOLERANCES UNLESS OTHERWISE SPECIFIED:		APVD M. PERCHERKE 15MAR06	NAME VERTICAL HEADER CONN, W/GUIDES PRESS FIT, TYPE P MULTI-BEAM XL												
<table border="1"> <tr><td>0 PLC</td><td>±</td></tr> <tr><td>1 PLC</td><td>±</td></tr> <tr><td>2 PLC</td><td>±</td></tr> <tr><td>3 PLC</td><td>±.005</td></tr> <tr><td>4 PLC</td><td>±</td></tr> <tr><td>ANGLES</td><td>±</td></tr> </table>		0 PLC	±	1 PLC	±	2 PLC	±	3 PLC	±.005	4 PLC	±	ANGLES	±	PRODUCT SPEC 108-1973	SIZE A1
0 PLC	±														
1 PLC	±														
2 PLC	±														
3 PLC	±.005														
4 PLC	±														
ANGLES	±														
MATERIAL PPA-GF45		APPLICATION SPEC 114-13038	CAGE CODE DRAWING NO C=6600303												
FINISH △		WEIGHT	RESTRICTED TO												
CUSTOMER DRAWING		SCALE 2:1	SHEET 1 OF 6 REV B8												

THIS DRAWING IS UNPUBLISHED. RELEASED FOR PUBLICATION 20
 © COPYRIGHT 20 BY - ALL RIGHTS RESERVED.

LOC	DIST	REVISIONS					
		P	LTN	DESCRIPTION	DATE	DWN	APVD
GP	00	-		SEE SHEET 1	-	-	-

⊙B7	.325	1.800	.300	2.150	.300	.475	1.850	YES	5ACP	1-6600303-2
	.375	1.900	.300	2.250	.350	.525	1.950	NO	5ACP	1-6600303-1
	.300	2.050	.300	2.400	.275	.450	2.100	NO	6ACP	1-6600303-0
	.375	1.900	.300	2.250	.350	.525	1.950	YES	5ACP	6600303-9
	.325	1.200	.300	1.550	.300	.475	1.250	YES	3ACP	6600303-7
	.300	1.800	.250	2.150	.275	.450	1.850	YES	6P	6600303-6
⊙B8	.300	2.550	.250	2.900	.275	.450	2.600	NO	9P	6600303-5
⊙B8	.300	2.150	.200	2.500	.275	.450	2.200	NO	9HDP	6600303-4
	.325	1.500	.300	1.850	.300	.475	1.550	YES	4ACP	6600303-3
	.300	1.300	.250	1.650	.275	.450	1.350	YES	4P	6600303-2
	.300	2.300	.250	2.650	.275	.450	2.350	YES	8P	6600303-1
	DIM "TT"	DIM "U"	DIM "S"	DIM "L"	DIM "K"	DIM "G"	DIM "D"	RETENTION CLIP	DESCRIPTION	PART NUMBER

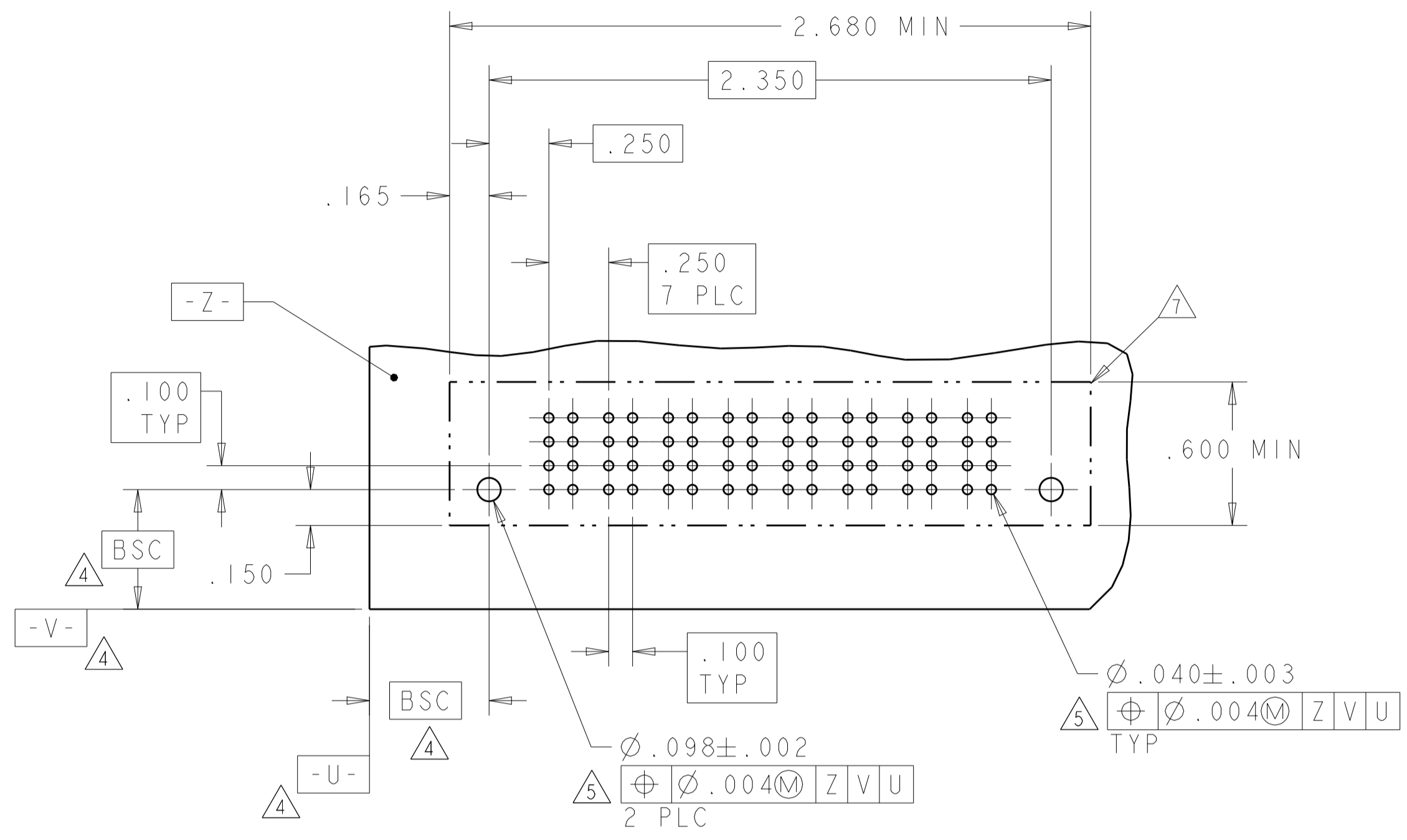
THIS DRAWING IS A CONTROLLED DOCUMENT.

DIMENSIONS: INCHES	TOLERANCES UNLESS OTHERWISE SPECIFIED: 0 PLC ±. 1 PLC ±. 2 PLC ±. 3 PLC ±.005 4 PLC ±. ANGLES ±.	DWN D. RINGLER 15MAR06 CHK M. PERCHERKE 15MAR06 APVD M. PERCHERKE 15MAR06	NAME VERTICAL HEADER CONN, W/GUIDES PRESS FIT, TYPE P MULTI-BEAM XL
MATERIAL	FINISH	PRODUCT SPEC 108-1973 APPLICATION SPEC 114-13038	SIZE A1
CUSTOMER DRAWING		WEIGHT	RESTRICTED TO

SCALE 2:1 SHEET 2 OF 6 REV B8

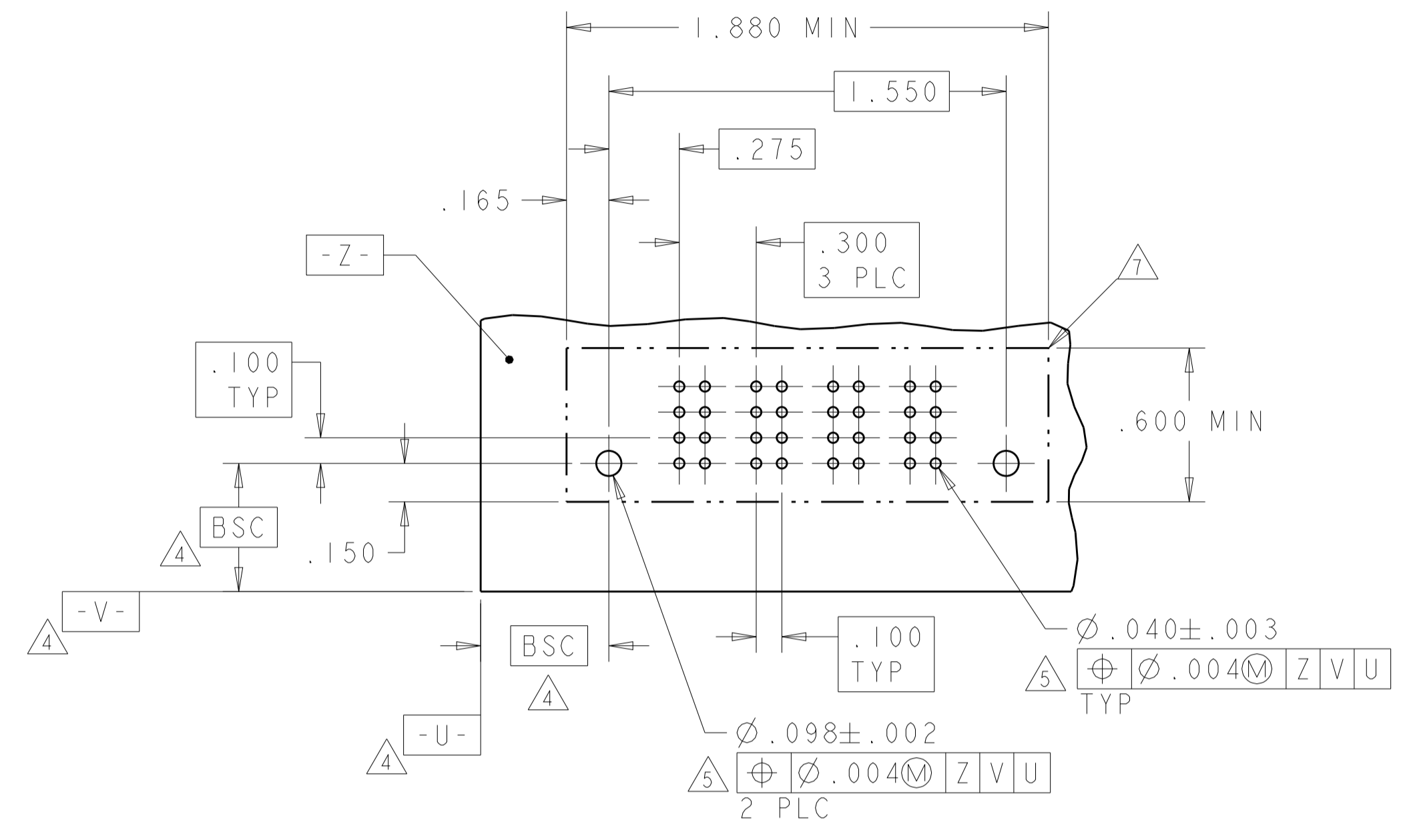
LOC	DIST	REVISIONS			
P	LTN	DESCRIPTION	DATE	DMN	APVD
GP	00	SEE SHEET 1			

PART NUMBER	ROWS	POWER							
		P1	P2	P3	P4	P5	P6	P7	P8
6600303-1	D		VM	VM	VM	VM	VM	VM	VM
	C								
	B								
	A								
8P	HD								HD



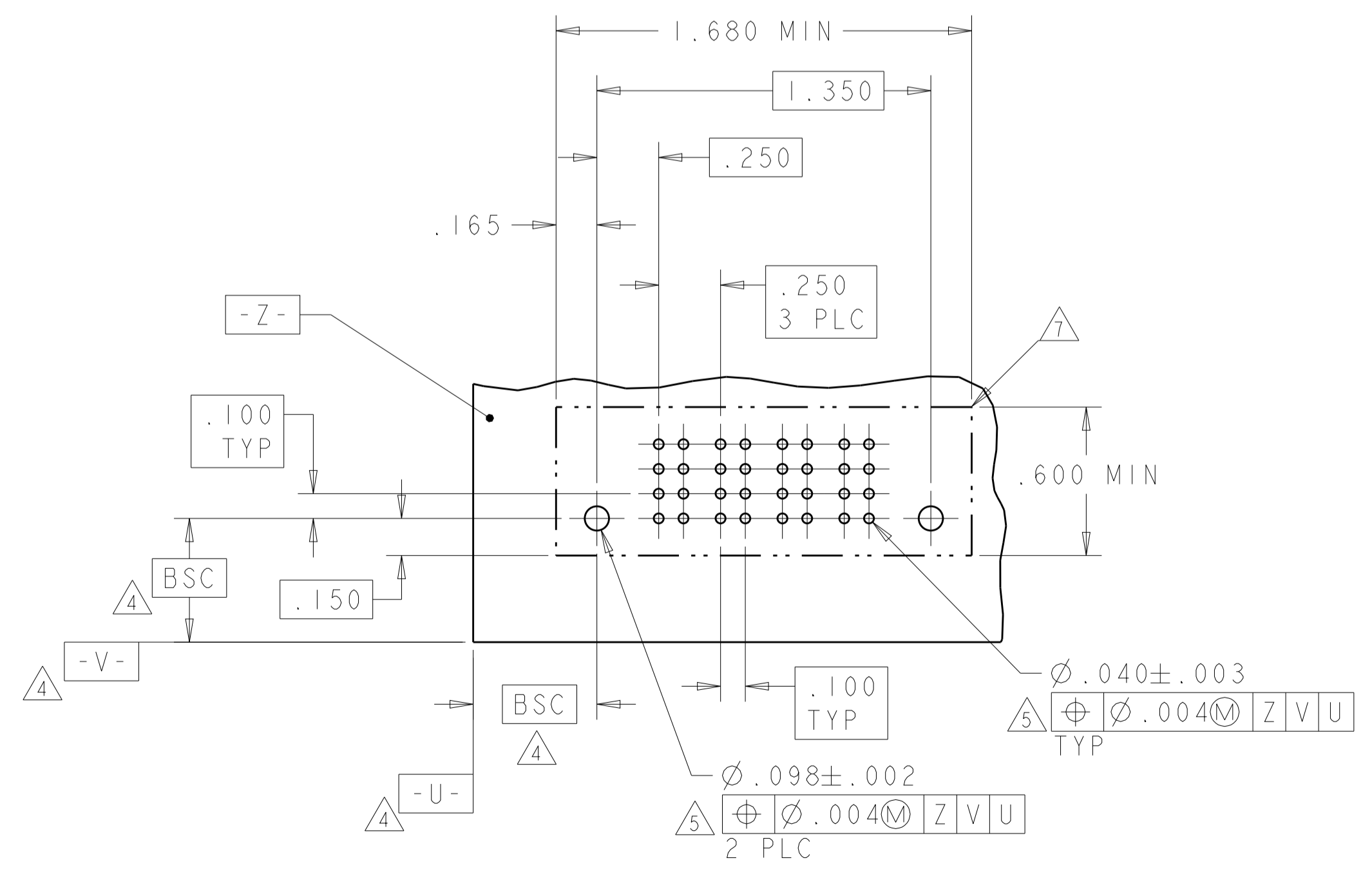
RECOMMENDED PCB LAYOUT 6600303-1
SCALE 2:1

PART NUMBER	ROWS	POWER				
		P1	P2	P3	P4	
6600303-3	D		VM	VM	VM	VM
	C					
	B					
	A					
4ACP	HD				HD	



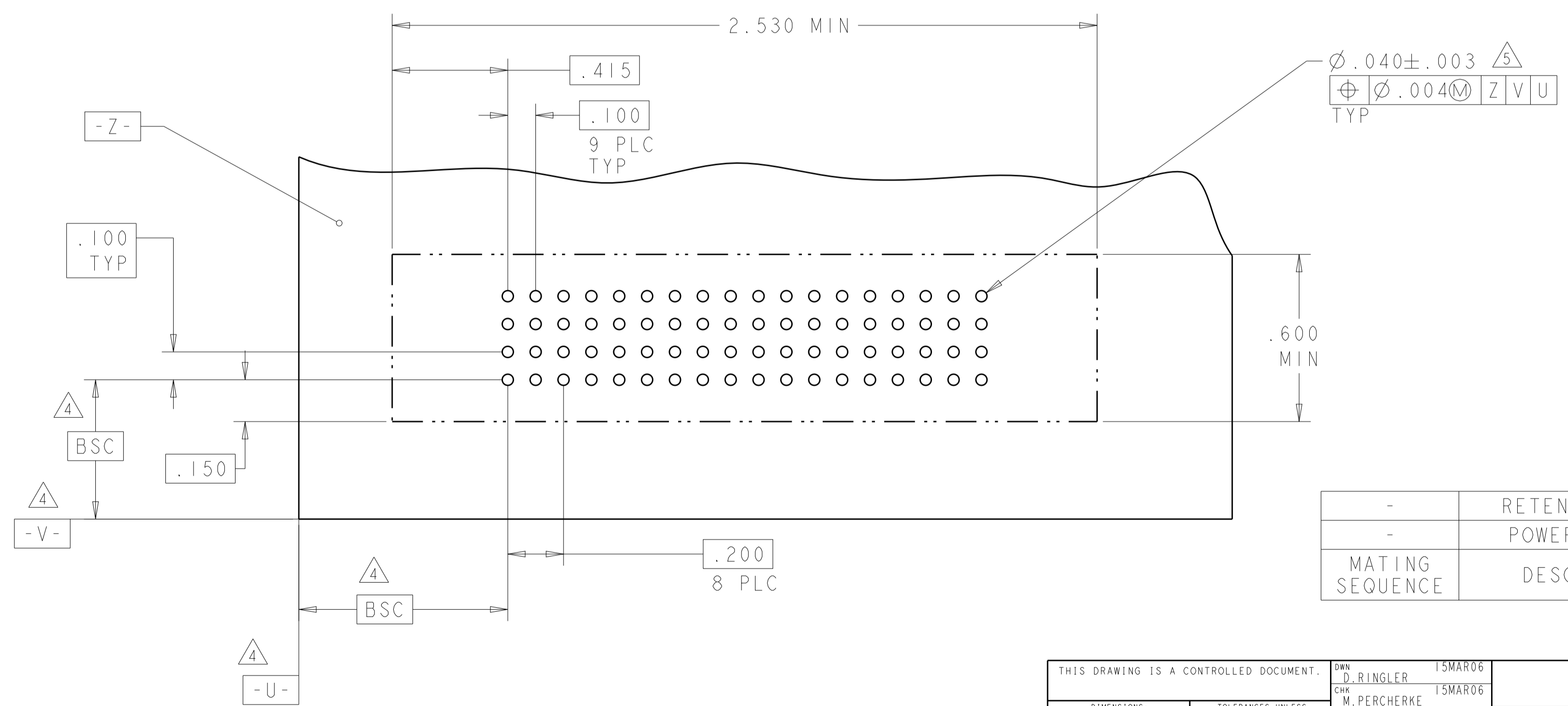
RECOMMENDED PCB LAYOUT 6600303-3
SCALE 2:1

PART NUMBER	ROWS	POWER				
		P1	P2	P3	P4	
6600303-2	D		VM	VM	VM	VM
	C					
	B					
	A					
4P	HD				HD	



RECOMMENDED PCB LAYOUT 6600303-2
SCALE 2:1

PART NUMBER	ROWS	POWER								
		P1	P2	P3	P4	P5	P6	P7	P8	P9
6600303-4	D		VM	VM	VM	VM	VM	VM	VM	VM
	C									
	B									
	A									
9HDP										



MATING SEQUENCE	DESCRIPTION	IDENTIFIER
-	RETENTION CLIP	HD
-	POWER CONTACT	VM

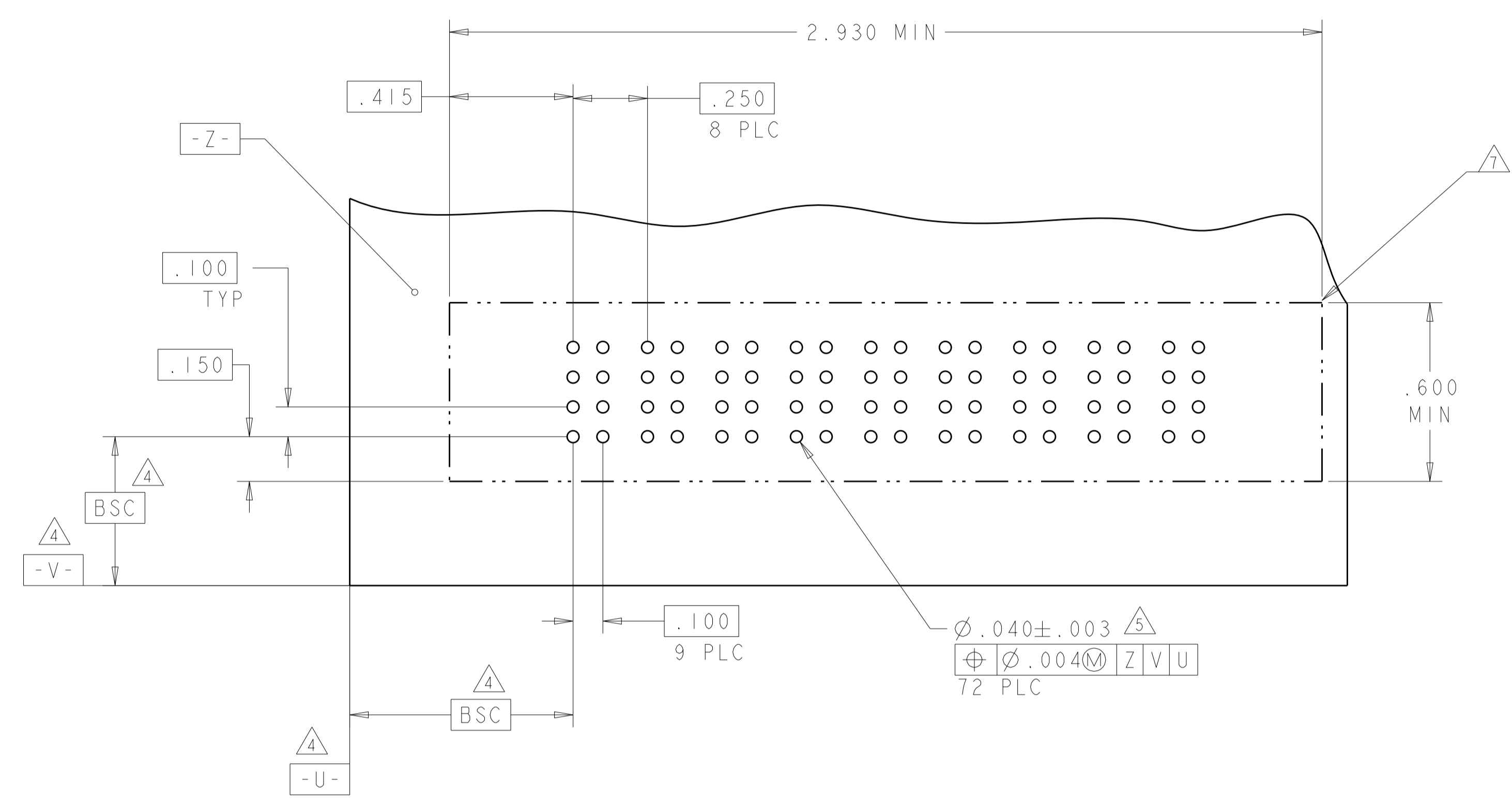
THIS DRAWING IS A CONTROLLED DOCUMENT.

DIMENSIONS: INCHES 	TOLERANCES UNLESS OTHERWISE SPECIFIED: 0 PLC ± 1 PLC ± 2 PLC ± 3 PLC ±.005 4 PLC ± ANGLES ± FINISH	DWG: D. RINGLER 15MAR06 CHK: M. PERCHERKE 15MAR06 APVD: M. PERCHERKE 15MAR06 PRODUCT SPEC: 108-1973 APPLICATION SPEC: 114-1303B WEIGHT: - CUSTOMER DRAWING	TE Connectivity NAME: VERTICAL HEADER CONN, W/GUIDES PRESS FIT, TYPE P MULTI-BEAM XL SIZE: A1 CAGE CODE: 100779 DRAWING NO: 6600303 SCALE: 2:1 SHEET: 3 OF 6 REV: B8
---------------------------	---	--	---

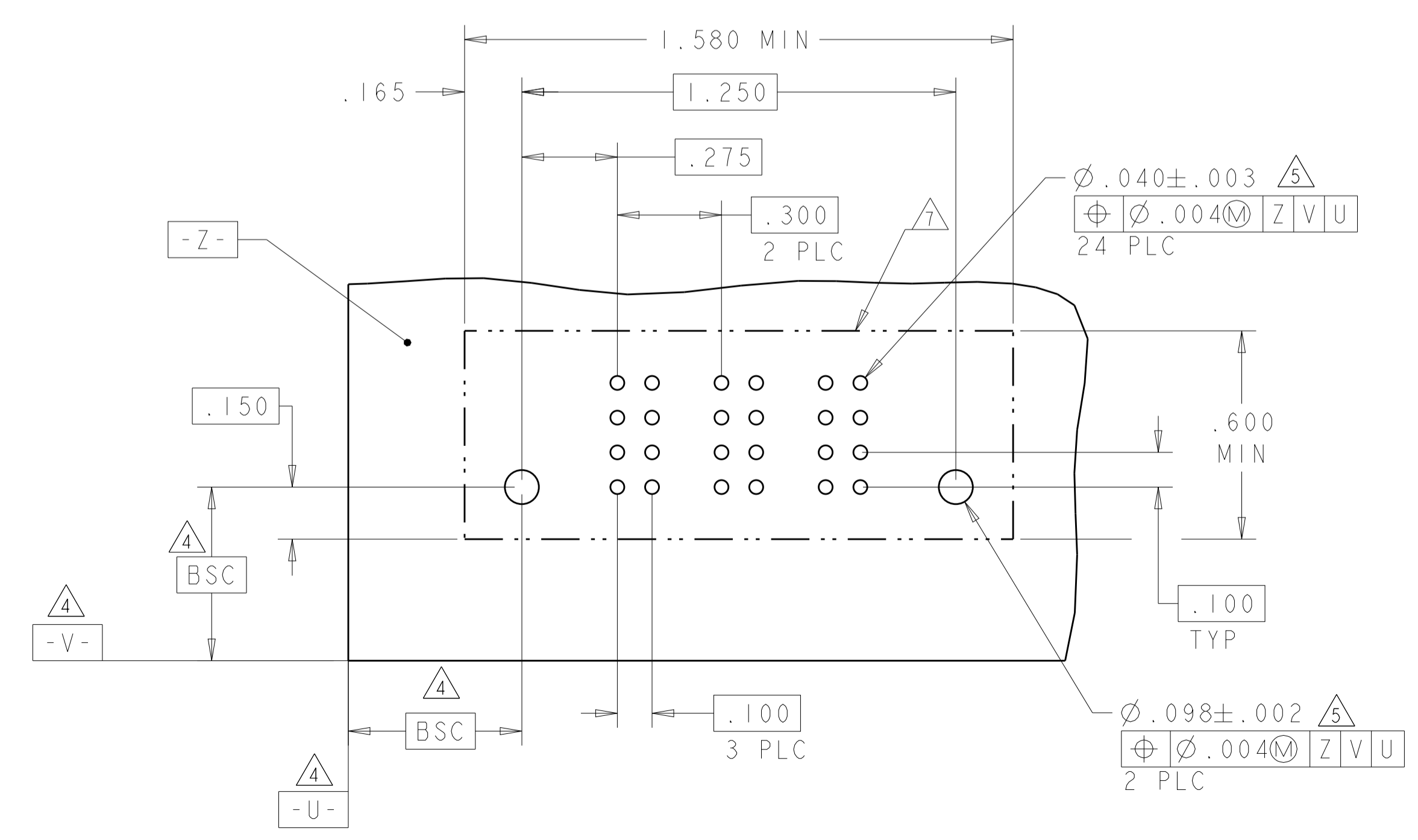
LOC	DIST	REV	DATE	BY	APPV
GP	00				

REVISIONS			
REV	DATE	BY	APPV
-	-	-	-
-	-	-	-

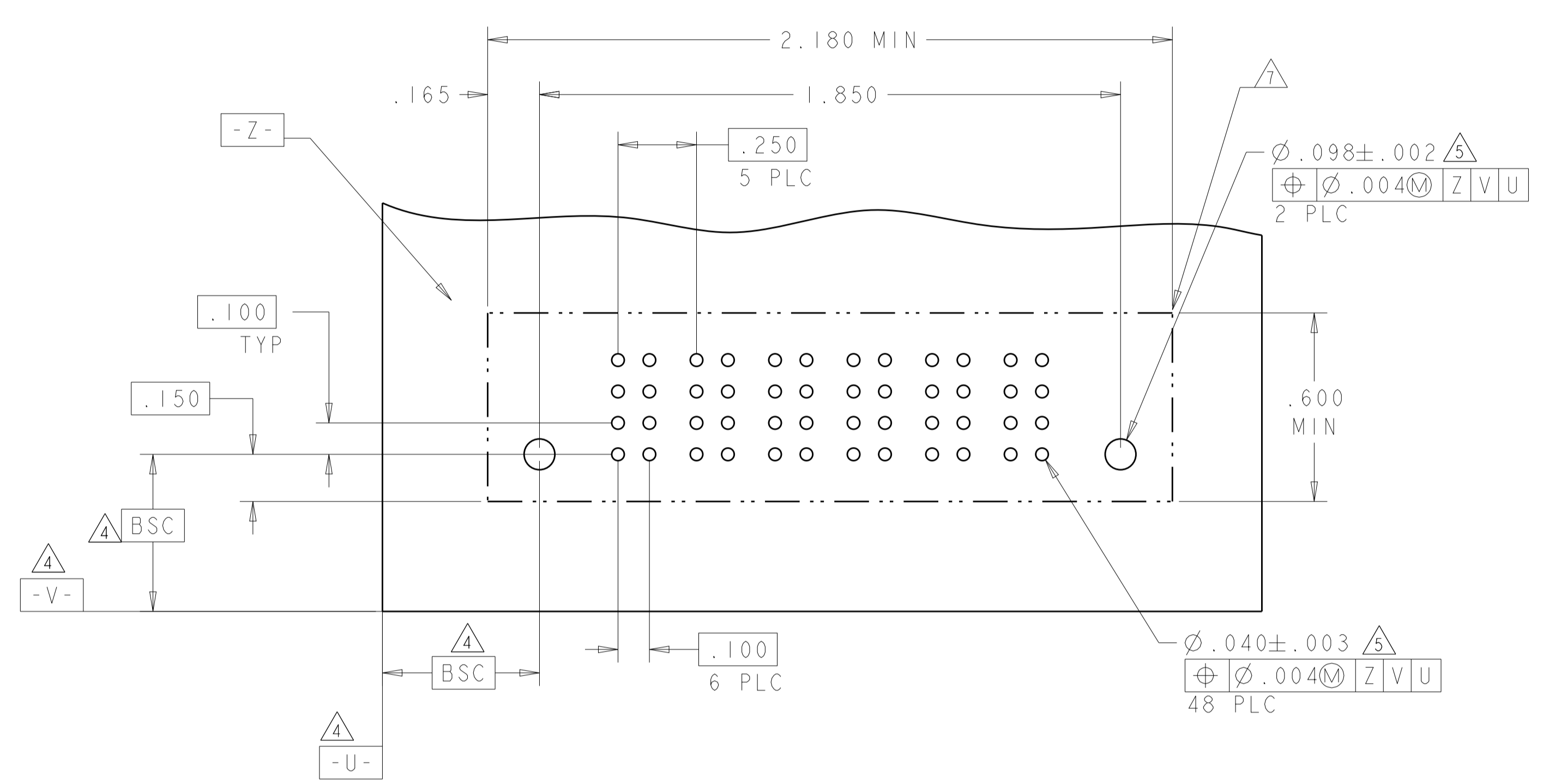
PART NUMBER	ROWS	POWER								
		P1	P2	P3	P4	P5	P6	P7	P8	P9
6600303-5	D		VM	VM	VM	VM	VM	VM	VM	VM
	C		VM	VM	VM	VM	VM	VM	VM	VM
	B		VM	VM	VM	VM	VM	VM	VM	VM
	A		VM	VM	VM	VM	VM	VM	VM	VM
9P										



PART NUMBER	ROWS	POWER			
		P1	P2	P3	
6600303-7	D		VM	VM	VM
	C		VM	VM	VM
	B		VM	VM	VM
	A		VM	VM	VM
3ACP		HD		HD	



PART NUMBER	ROWS	POWER					
		P1	P2	P3	P4	P5	P6
6600303-6	D		VM	VM	VM	VM	VM
	C		VM	VM	VM	VM	VM
	B		VM	VM	VM	VM	VM
	A		VM	VM	VM	VM	VM
6P		HD				HD	



THIS DRAWING IS A CONTROLLED DOCUMENT.

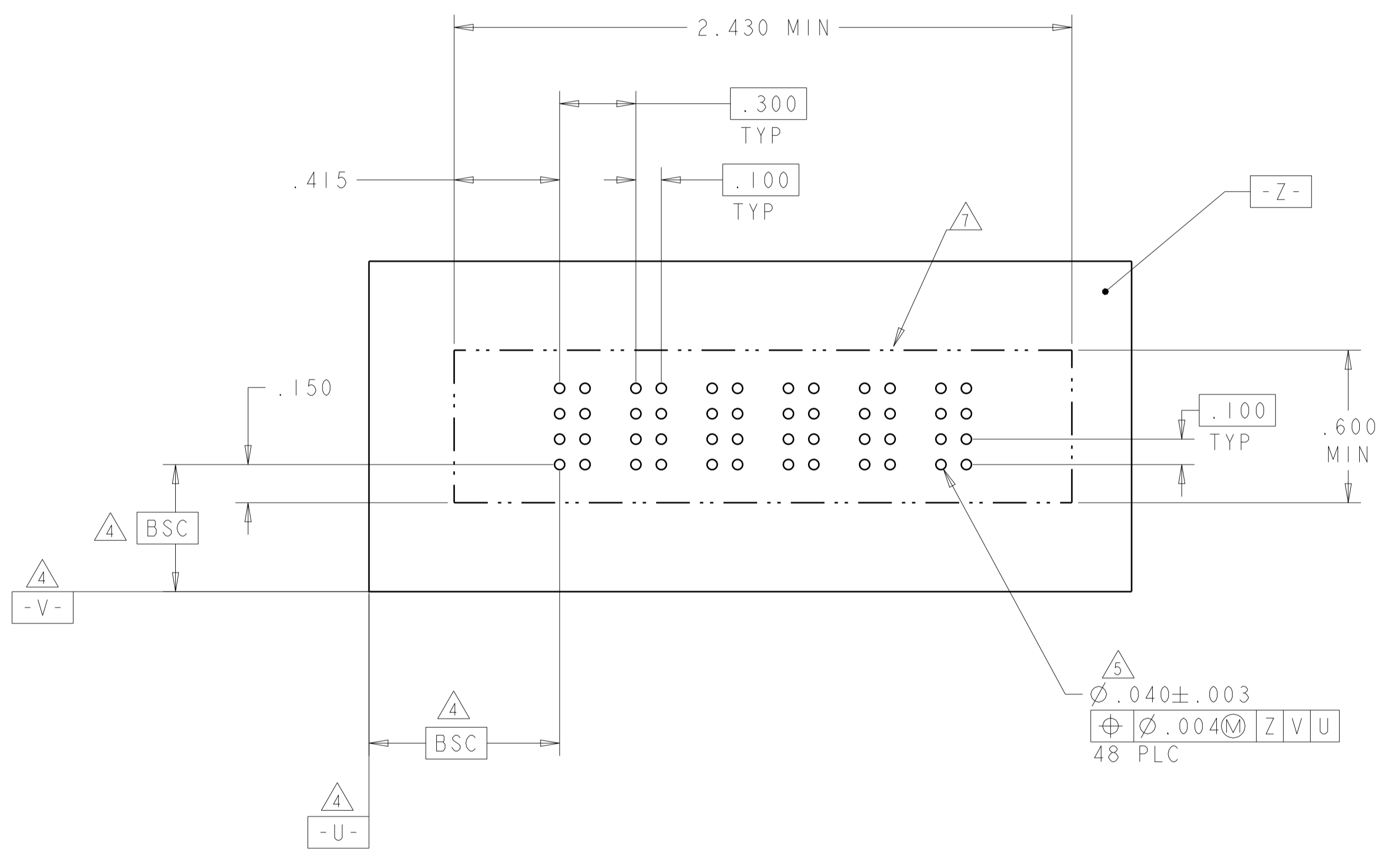
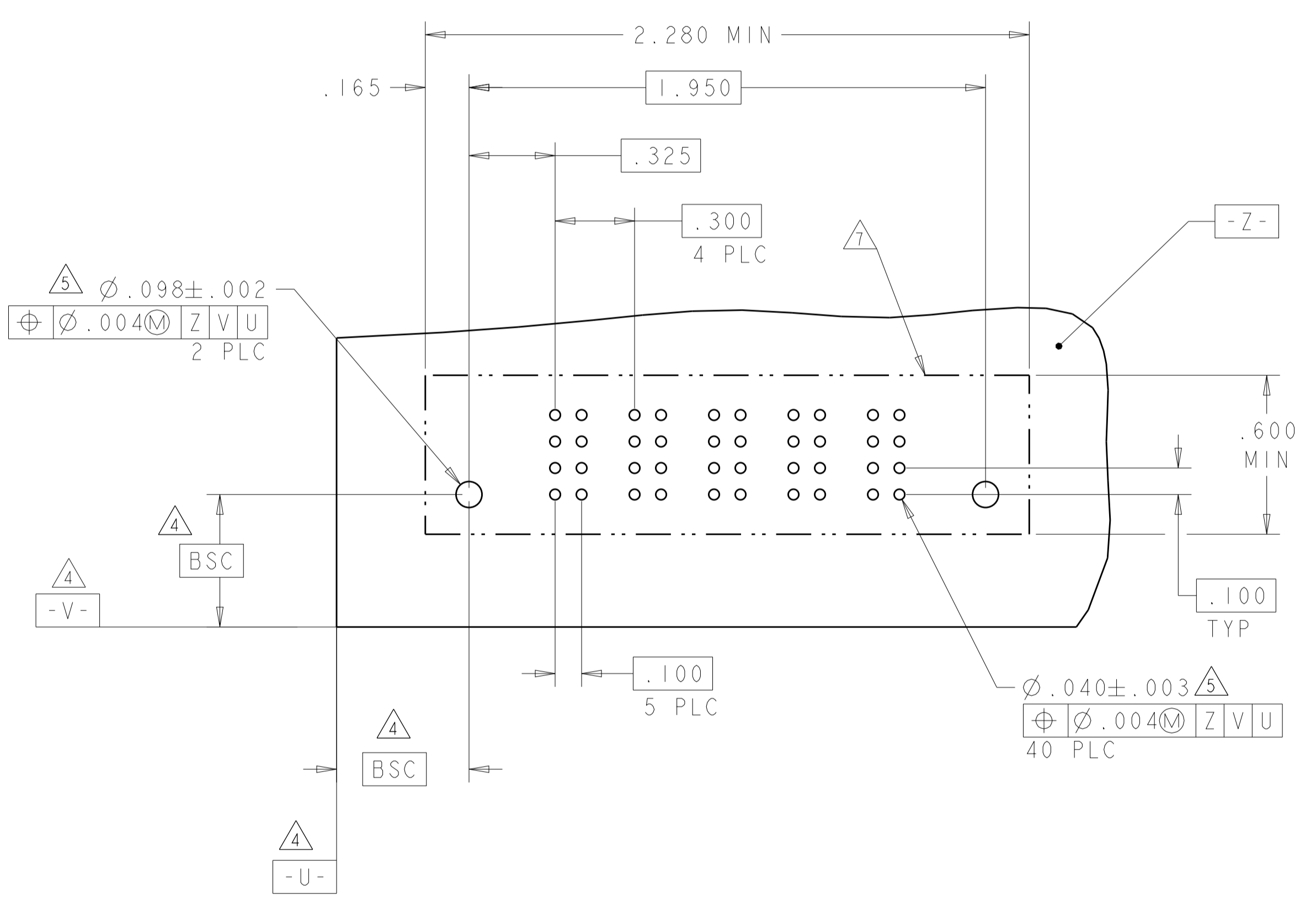
DIMENSIONS: INCHES	TOLERANCES UNLESS OTHERWISE SPECIFIED:	DWN: D. RINGLER 15MAR06 CHK: M. PERCHERKE 15MAR06 APVD: M. PERCHERKE 15MAR06	TE Connectivity
0 PLC ± 1 PLC ± 2 PLC ± 3 PLC ±.005 4 PLC ± 5 PLC ±	FINISH: ±.002	NAME: VERTICAL HEADER CONN, W/GUIDES PRODUCT SPEC: 108-1973 APPLICATION SPEC: 114-13038 WEIGHT: -	
MATERIAL:	FINISH:	SIZE: A1 CAGE CODE: 100779 DRAWING NO: 6600303	RESTRICTED TO: - SCALE: 2:1 SHEET: 4 OF 6 REV: B8

CUSTOMER DRAWING

LOC	DIST	REVISIONS			
P	LTN	DESCRIPTION	DATE	DMN	APVD
-	-	SEE SHEET 1	-	-	-

PART NUMBER	ROWS	POWER					
		P1	P2	P3	P4	P5	
6600303-9	D	HD	VM	VM	VM	VM	VM
	C						
	B						
	A						
5ACP							

PART NUMBER	ROWS	POWER						
		P1	P2	P3	P4	P5	P6	
1-6600303-0	D	HD	VM	VM	VM	VM	VM	VM
	C							
	B							
	A							
6ACP								



THIS DRAWING IS A CONTROLLED DOCUMENT.

DIMENSIONS: INCHES	TOLERANCES UNLESS OTHERWISE SPECIFIED: 0 PLC ± 1 PLC ± 2 PLC ± 3 PLC ±.005 4 PLC ± ANGLES ±	FINISH	DMN D. RINGLER 15MAR06	CHK M. PERCHERKE 15MAR06	APVD M. PERCHERKE 15MAR06	NAME VERTICAL HEADER CONN, W/GUIDES PRESS FIT, TYPE P MULTI-BEAM XL
MATERIAL			PRODUCT SPEC 108-1973	APPLICATION SPEC 114-13038	WEIGHT	SIZE A100779
CUSTOMER DRAWING			CAGE CODE DRAWING NO C=6600303		RESTRICTED TO	SCALE 2:1 SHEET 5 OF 6 REV B8

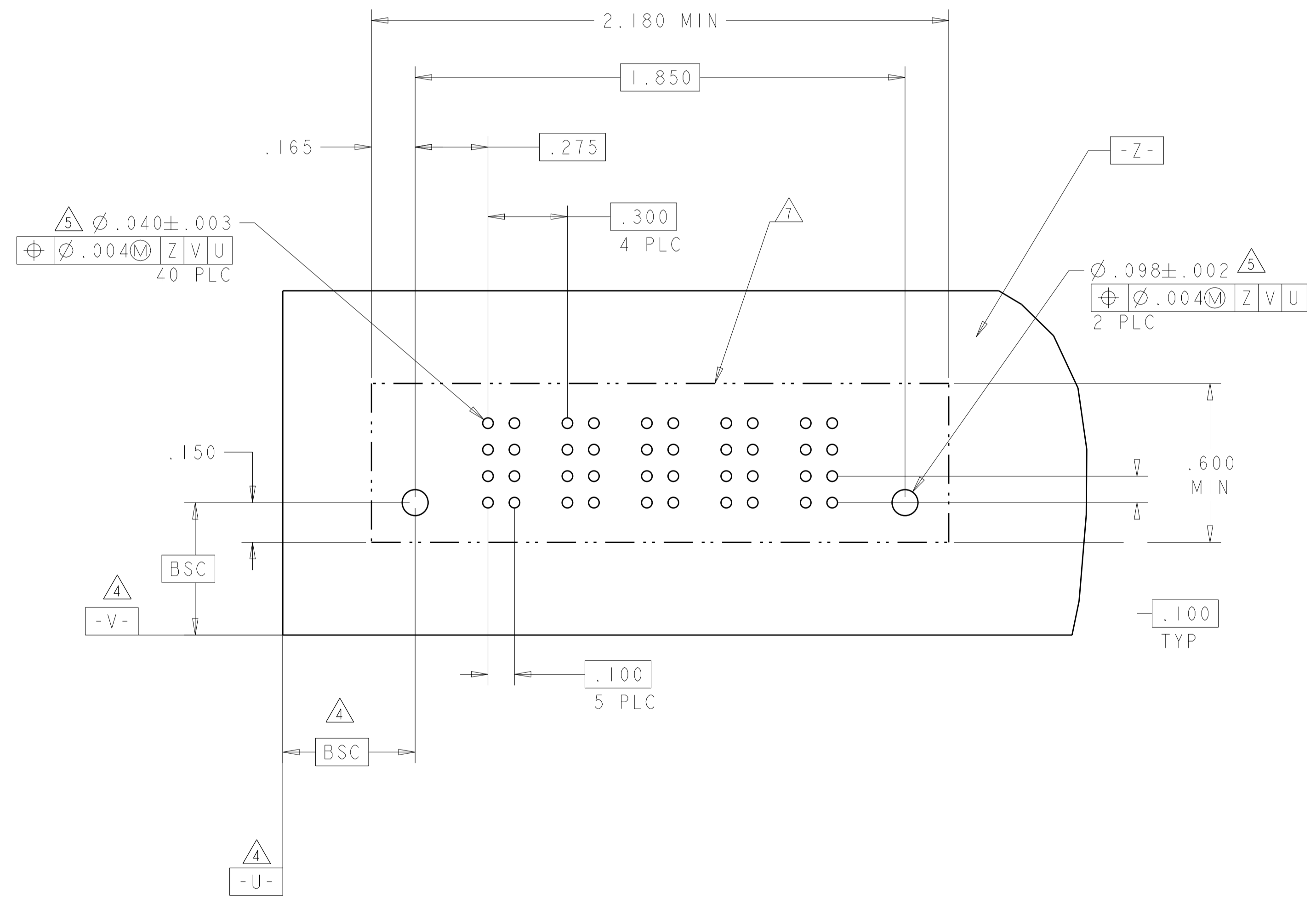
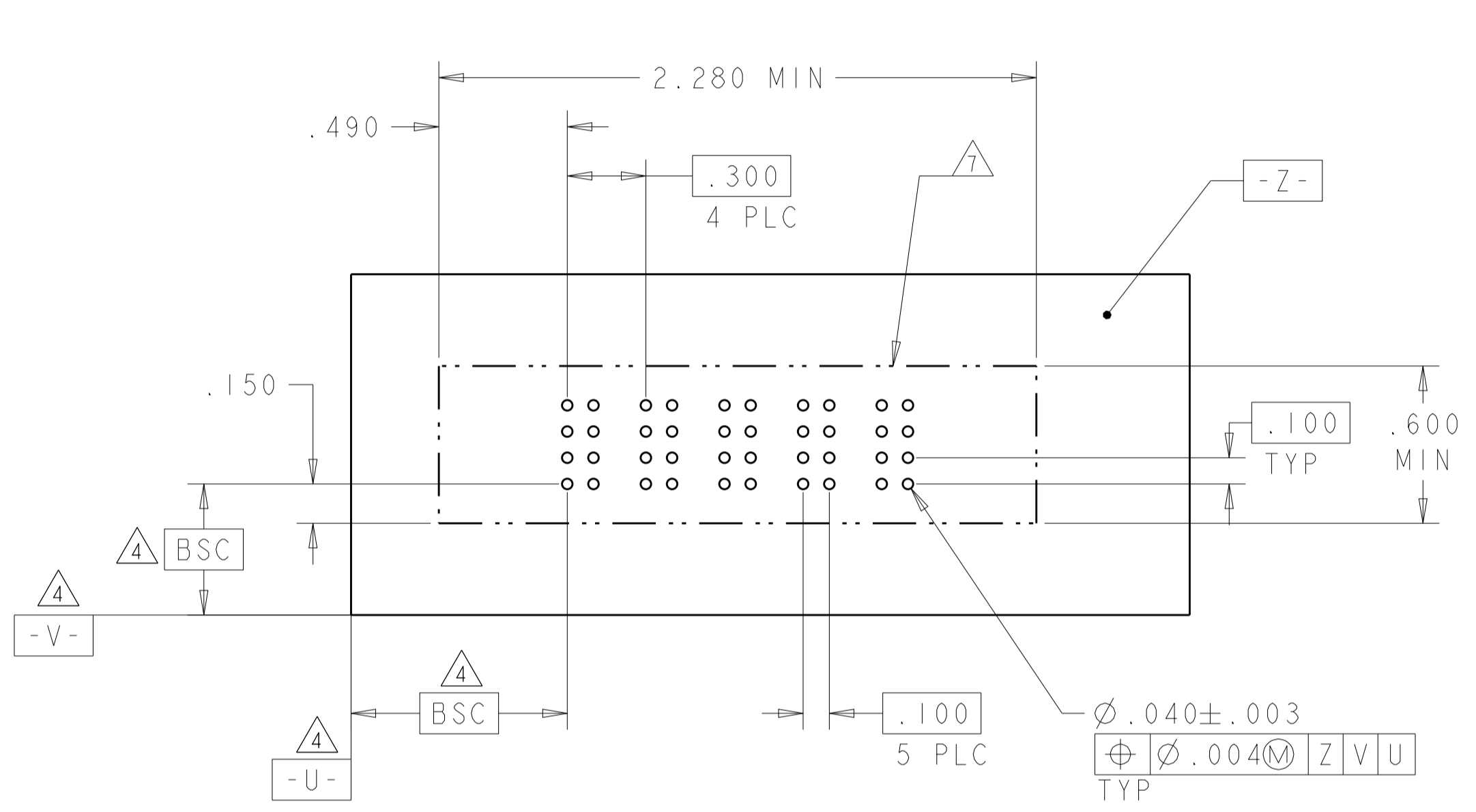
STE TE Connectivity

LOC	DIST	REVISIONS			
P	LTN	DESCRIPTION	DATE	DMN	APVD
-	-	SEE SHEET 1	-	-	-

B5

PART NUMBER	ROWS	POWER				
		P1	P2	P3	P4	P5
I-6600303-1	D	VM	VM	VM	VM	VM
	C					
	B					
	A					
5ACP						

PART NUMBER	ROWS	POWER				
		P1	P2	P3	P4	P5
I-6600303-2	D	VM	VM	VM	VM	VM
	C					
	B					
	A					
5ACP						



THIS DRAWING IS A CONTROLLED DOCUMENT.		DMN D. RINGLER 15MAR06	TE Connectivity										
DIMENSIONS: INCHES		CHK M. PERCHERKE 15MAR06											
TOLERANCES UNLESS OTHERWISE SPECIFIED:		APVD M. PERCHERKE 15MAR06	NAME VERTICAL HEADER CONN, W/GUIDES PRESS FIT, TYPE P MULTI-BEAM XL										
<table border="1"> <tr> <td>0 PLC</td> <td>±</td> </tr> <tr> <td>2 PLC</td> <td>±</td> </tr> <tr> <td>3 PLC</td> <td>±</td> </tr> <tr> <td>4 PLC</td> <td>±.005</td> </tr> <tr> <td>5 PLC</td> <td>±</td> </tr> </table>		0 PLC	±	2 PLC	±	3 PLC	±	4 PLC	±.005	5 PLC	±	PRODUCT SPEC 108-1973	SIZE A100779
0 PLC	±												
2 PLC	±												
3 PLC	±												
4 PLC	±.005												
5 PLC	±												
MATERIAL		APPLICATION SPEC 114-13038	CAGE CODE DRAWING NO C=6600303										
FINISH		WEIGHT	RESTRICTED TO										
CUSTOMER DRAWING		SCALE 2:1	SHEET 6 OF 6										
		REV B8											

单击下面可查看定价，库存，交付和生命周期等信息

[>>TE Connectivity\(泰科\)](#)