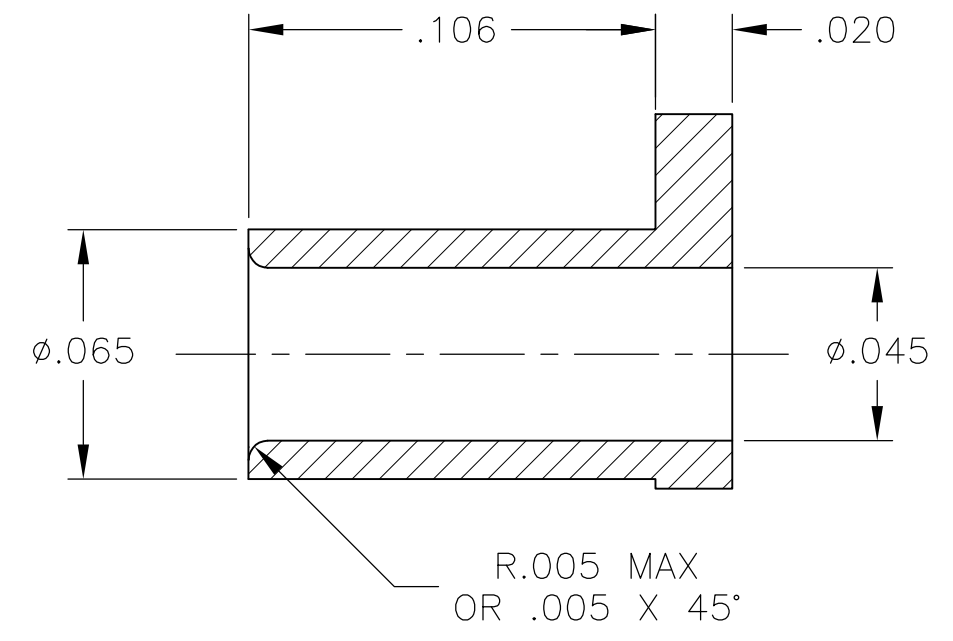
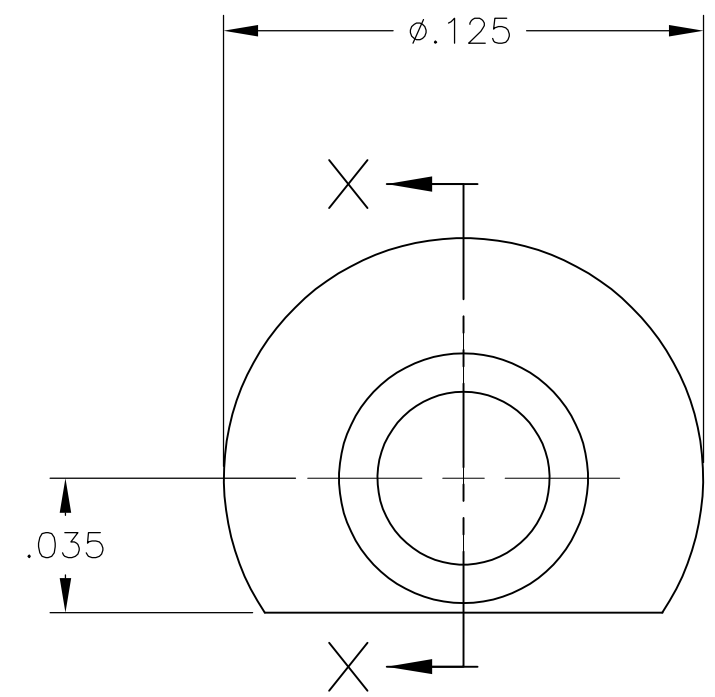


THIS DRAWING IS UNPUBLISHED. RELEASED FOR PUBLICATION
 © COPYRIGHT - By - ALL RIGHTS RESERVED.

LOC		DIST		REVISIONS			
P	LTR	DESCRIPTION		DATE	DWN	APVD	
	C	REV PER ECO		11-015051	7-22-11	CT	DH



SECTION X-X

- 1 MATL: BRASS
- 2 FINISH: .000030 MIN NICKEL PLATED.

1	2	534164-2
AS SHOWN		534164-1
DESCRIPTION		PART NUMBER

THIS DRAWING IS A CONTROLLED DOCUMENT.		DWN	T. THOMPSON	01-10-95	STE TE Connectivity		
DIMENSIONS: INCHES		CHK	D. GUTTER	01-23-94			
TOLERANCES UNLESS OTHERWISE SPECIFIED:		APVD	D. GUTTER	01-23-94	NAME		
0 PLC ± -		PRODUCT SPEC		KEY, RIVET, MINI-BOX PIN HEADER CONNECTOR			
1 PLC ± -		APPLICATION SPEC		RESTRICTED TO			
2 PLC ± -		WEIGHT		-			
3 PLC ± .005		SIZE		CAGE CODE		DRAWING NO	
4 PLC ± -		CUSTOMER DRAWING		A300779		C-534164	
ANGLES ± -		SCALE		20:1		SHEET 1 OF 1	
FINISH		REV		C			

单击下面可查看定价，库存，交付和生命周期等信息

[>>TE Connectivity\(泰科\)](#)