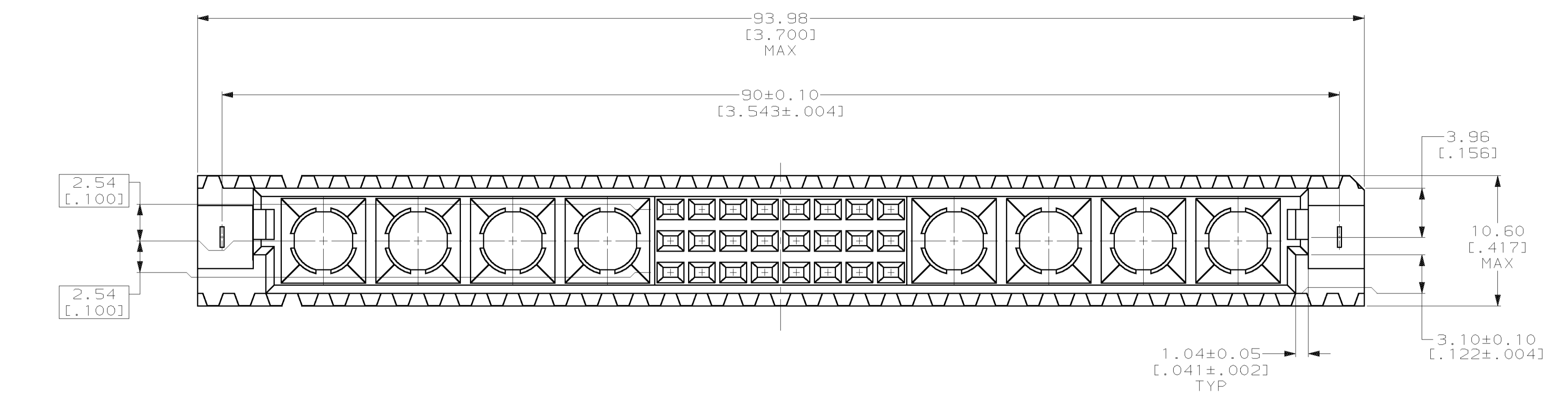
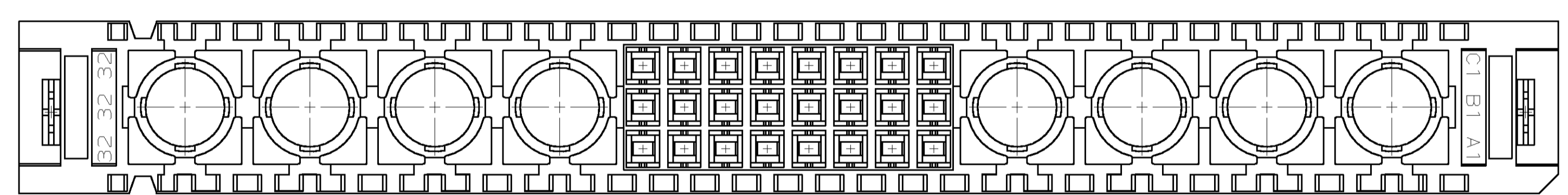
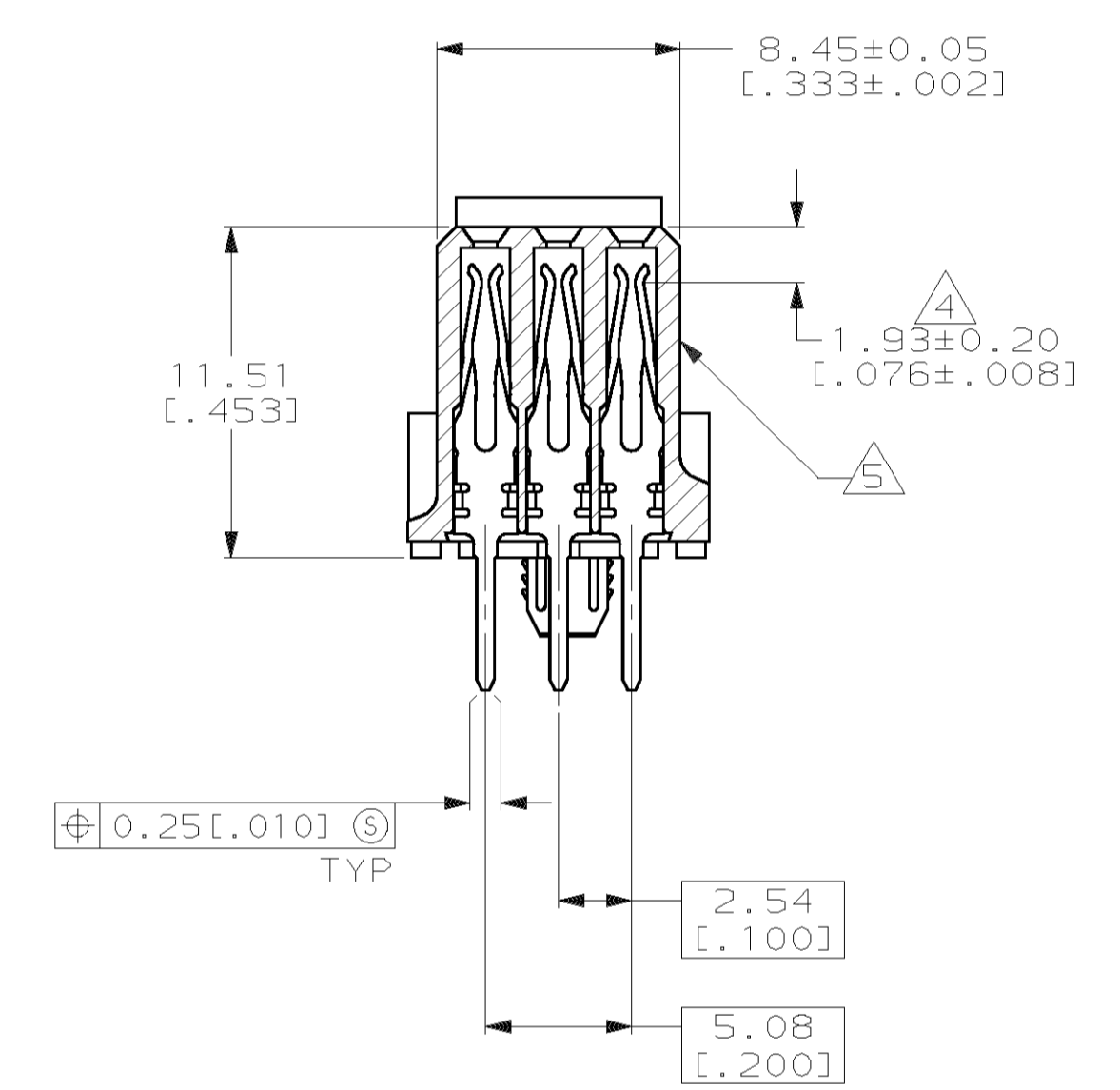
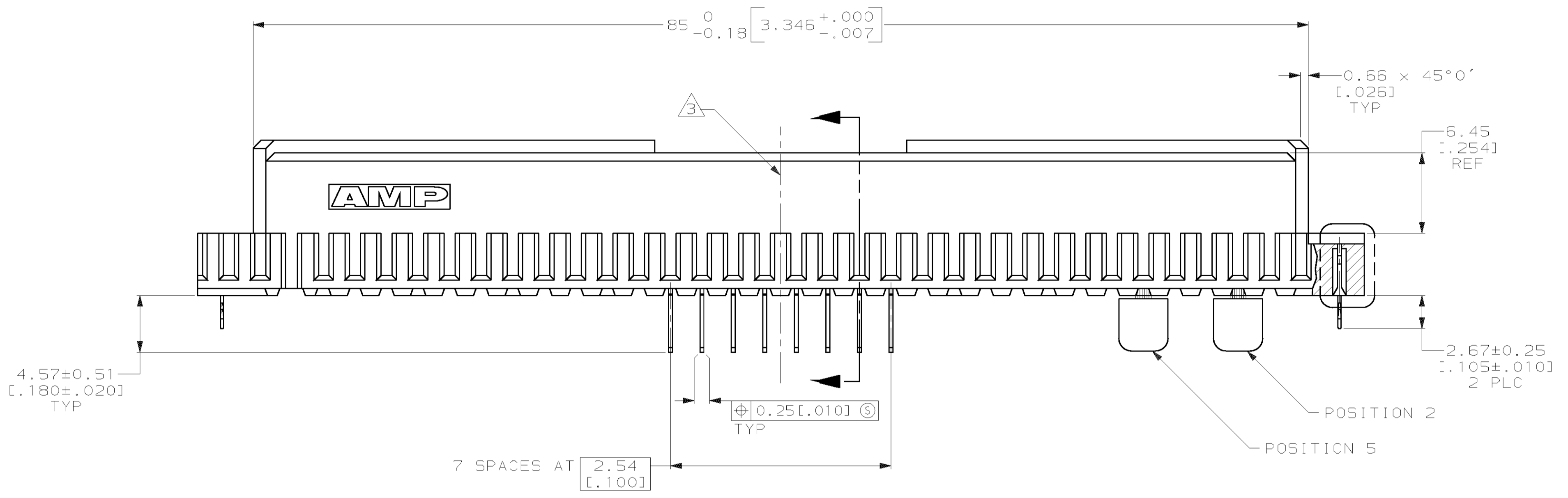


LOC		DIST		REVISIONS			
AD	25	REV	DESCRIPTION	DATE	OWN	APVD	
A		RELEASED -1	PER EC 0U1B-0388-00	20 DEC 00	-	-	
B		REV PER	0U1B-0187-01	07/27/01	MM	CR	



- ① HOUSING: GLASS-FILLED POLYESTER, GRAY.  
 SIGNAL CONTACT: PHOSPHOR BRONZE.  
 POWER CONTACT: BERYLLIUM COPPER.
- ② SIGNAL CONTACT: DIN 41612, CLASS 2 IN CONTACT AREA,  
 TIN-LEAD ON TAILS.  
 POWER CONTACT: 0.76µm [.000030] MIN GOLD.
- ③ PART NUMBER, DATE CODE IDENTIFICATION, CSA LOGO IN  
 THIS APPROXIMATE AREA.
- ④ CONTACT POINT.
- ⑤ HOT STAMPING ON THIS SIDE.
- ⑥ RECOMMENDED HOLE SIZE FOR MANUAL APPLICATION OF  
 CONNECTOR ONTO PC BOARD.



2,5	B	2	148584-1
POSITIONS LOADED	ROWS	NO. OF POWER CONTACTS LOADED	PART NUMBER

13-20	C	8	148584-1
13-20	B	8	
13-20	A	8	
POSITIONS LOADED	ROWS	NO. OF SIGNAL CONTACTS LOADED	PART NUMBER

THIS DRAWING IS A CONTROLLED DOCUMENT. DWG: B. CARBO 20 DEC 00  
 CHK: C. RICHARD 20 DEC 00  
 APVD: C. RICHARD 20 DEC 00

**AMP** AMP Incorporated  
 Harrisburg, PA 17105-3608

NAME: RECEPTACLE ASSEMBLY, EUROCARD, TYPE M, 24+8 POSITION, W/ SELECT LOAD POWER CONTACTS & BOARDLOCKS

SIZE: A1 CAGE CODE: 00779 DRAWING NO: 148584

MATERIAL: FINISH: TOLERANCES UNLESS OTHERWISE SPECIFIED:  
 0' PLC ±.005  
 1' PLC ±.005  
 2' PLC ±.013 (.005)  
 3' PLC ±.005  
 4' PLC ±.005  
 5' PLC ±.005  
 6' PLC ±.005  
 7' PLC ±.005  
 8' PLC ±.005

SCALE: 4:1 SHEET 1 OF 1 REV B

PC BOARD LAYOUT

单击下面可查看定价，库存，交付和生命周期等信息

[>>TE Connectivity\(泰科\)](#)