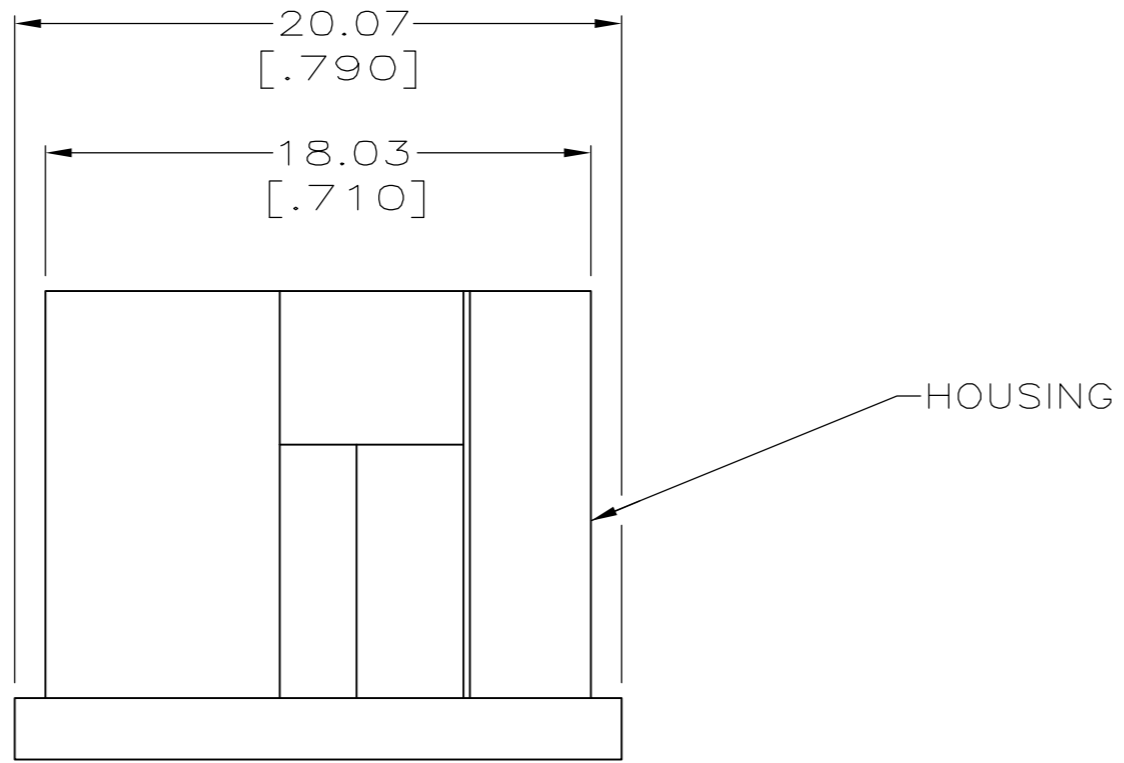


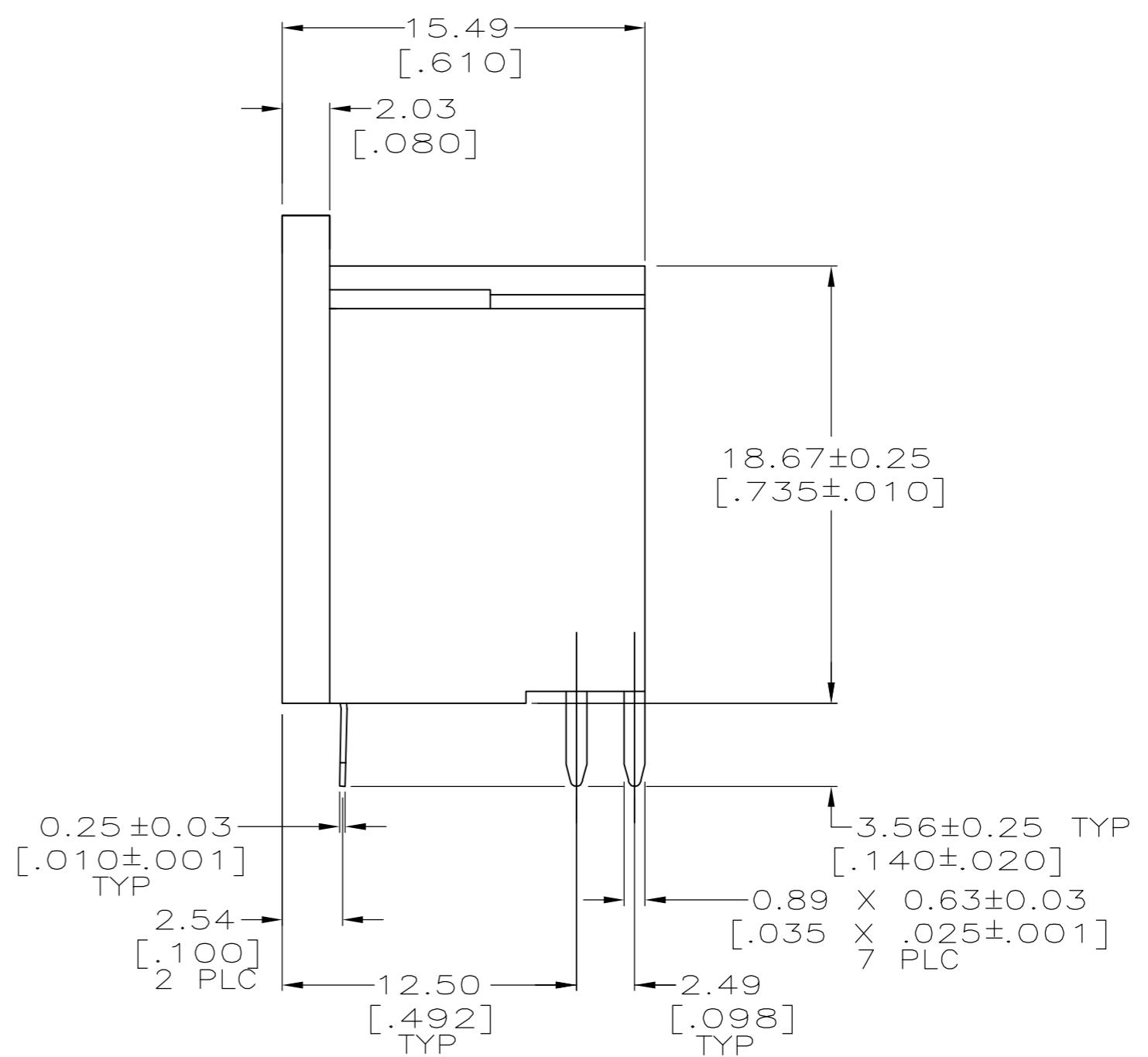
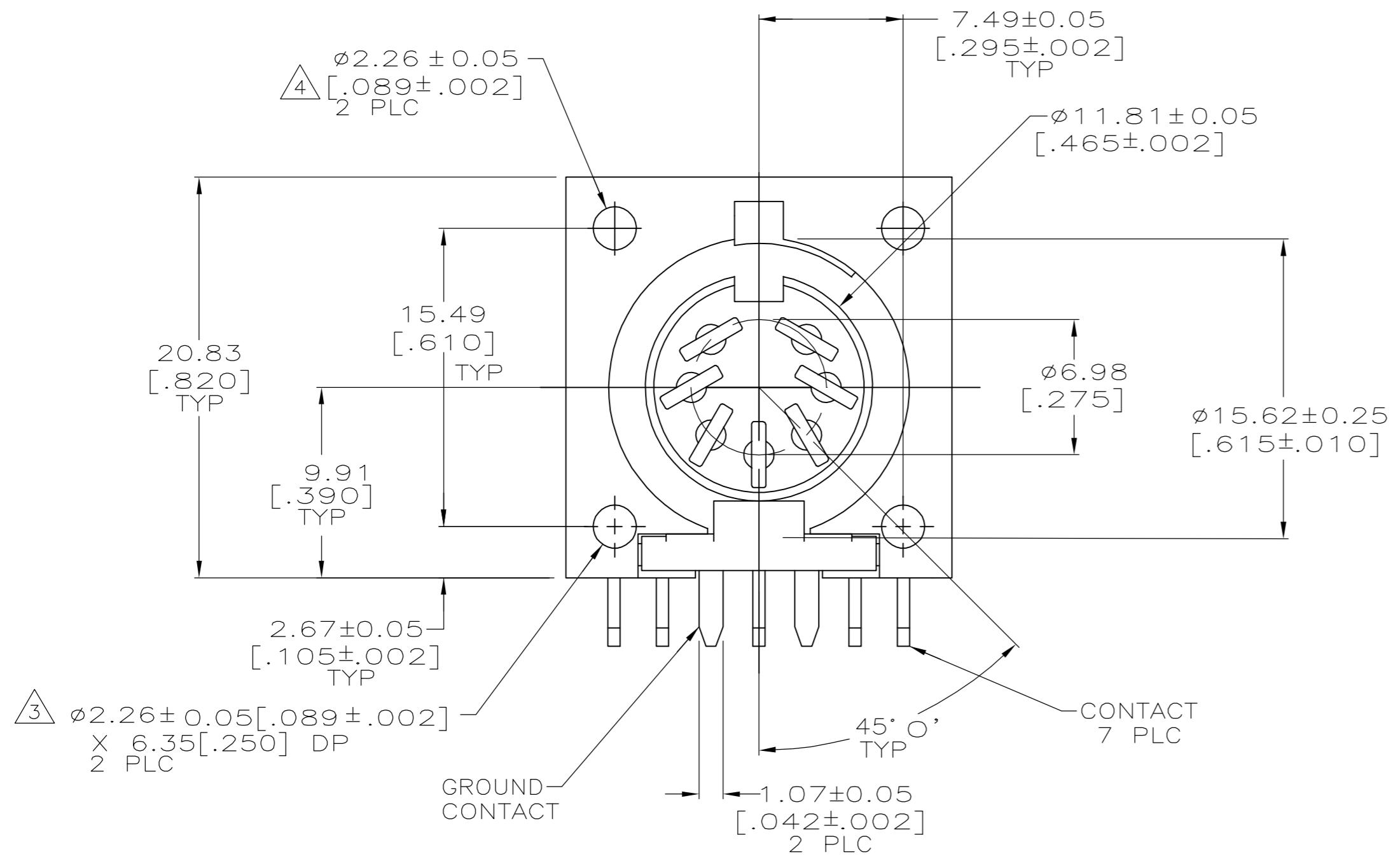
THIS DRAWING IS UNPUBLISHED. RELEASED FOR PUBLICATION
 © COPYRIGHT BY TYCO ELECTRONICS CORPORATION. ALL RIGHTS RESERVED.

LOC	DIST	REVISIONS			
P	LTR	DESCRIPTION	DATE	DWN	APVD
GP	00				
	01	REVISED PER ECO-07-008008	10APR07	JDP	CWR



- ① HOUSING: NYLON, UL 94V-0 RATED, BLACK.
- ② CONTACTS & GROUND CONTACT: 2.54μm [.000100] MIN TIN OVER 1.27μm [.000050] MIN NICKEL.
- ③ ACCEPTS #2 SELF-TAPPING SCREW, .250 LONG REF.
- ④ CONTACTS & GROUND CONTACTS: BRASS.

HOUSING



5786165-1
PART NO

THIS DRAWING IS A CONTROLLED DOCUMENT.		DWN L. VARELA - DOCK5 11-12-04	Tyco Electronics Corporation Harrisburg, PA 17105-3608	
DIMENSIONS: mm [INCHES]	TOLERANCES UNLESS OTHERWISE SPECIFIED:	CHK C. ROHDE 11-12-04	NAME M. WALMSLEY 11-12-04	
	0 PLC ± -	APVD M. WALMSLEY 11-12-04	PRODUCT SPEC 108-10047	
	1 PLC ± -		APPLICATION SPEC 114-40025	
	2 PLC ± 0.13 [.005]		SIZE A2	CAGE CODE 00779
	3 PLC ± -		DRAWING NO C=5786165	RESTRICTED TO -
	4 PLC ± -		SCALE 4:1	SHEET 1 of 1
	ANGLES ± 0° 30'		CUSTOMER DRAWING	REV 01
MATERIAL	FINISH	WEIGHT -		
① ④	②			

单击下面可查看定价，库存，交付和生命周期等信息

[>>TE Connectivity\(泰科\)](#)