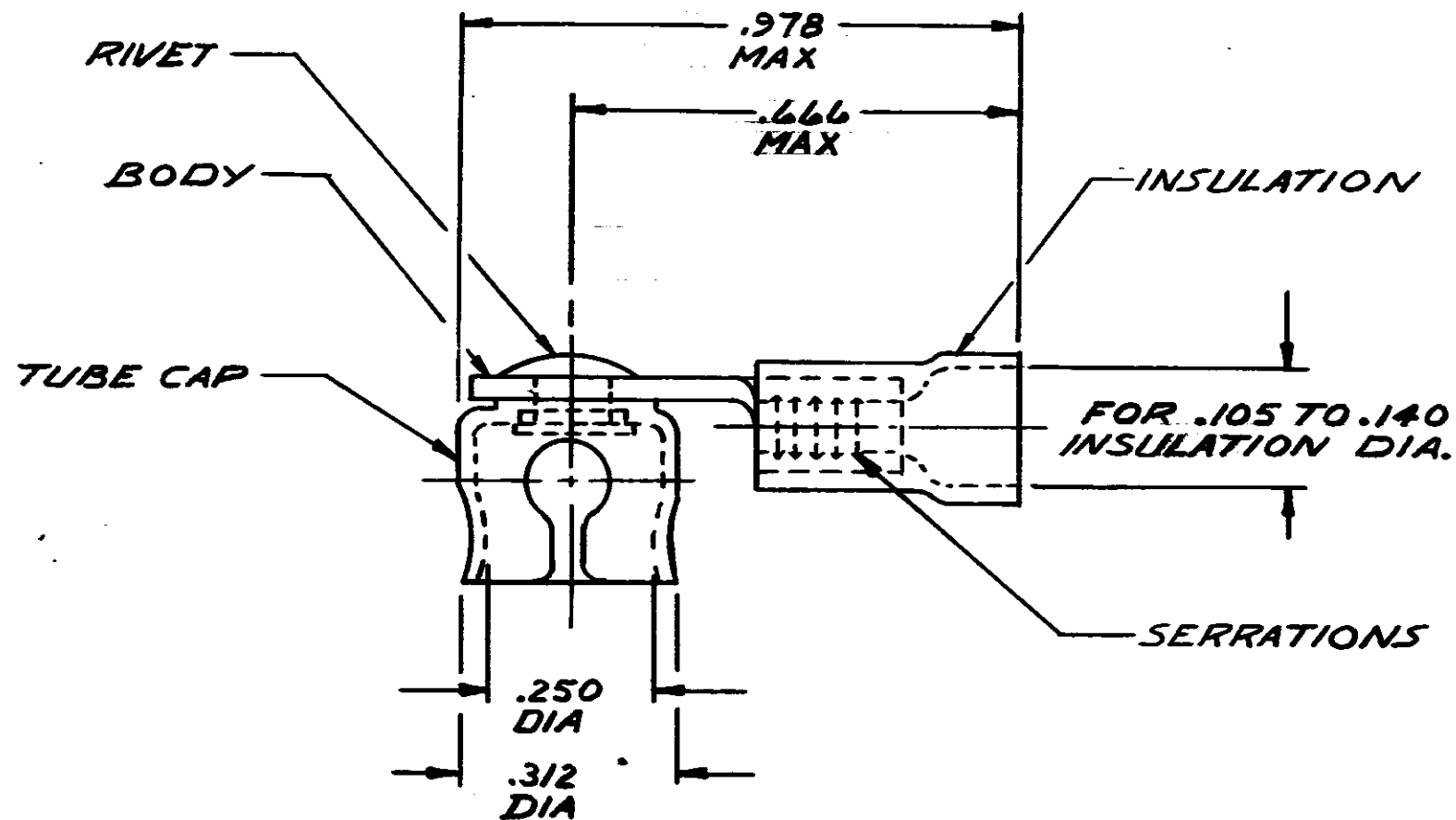


© COPYRIGHT 19 BY AMP INCORPORATED, HARRISBURG, PA.  
 ALL INTERNATIONAL RIGHTS RESERVED. AMP INCORPORATED PRODUCTS  
 COVERED BY U. S. AND FOREIGN PATENTS AND/OR PATENTS PENDING.

				1		LOC 9	DIST 14
REVISIONS							
P	F	ZONE	LTR	DESCRIPTION	DATE	APPROVED	
1	1		0	RELEASED PER NPS P79-0060	11/1/60	JLM	



TONGUE MATERIAL THICKNESS = .031 ± .002

<b>BODY:</b> COPPER (QQ-C-576) ANNEALED, TIN PLATE (MIL-T-10727) <b>CLIP:</b> COPPER/ZINC ALLOY (MIL-C-50) TIN PL (MIL-T-10727) <b>RIVET:</b> BRASS, TIN PL (MIL-T-10727) <b>INSULATION:</b> PVC, COLOR - BLACK		55137-1
MATERIAL & FINISH		PART NO
UNLESS OTHERWISE SPECIFIED DIMENSIONS ARE IN INCHES. TOLERANCES ON: DECIMALS ± ANGLES ±	CONTRACT NO DR [Signature] 11/1/60 CHK TEC P-5-80 APPD [Signature] 11-6-60 APPD DSGN APPD OTHER APPD	<b>AMP</b>   AMP INCORPORATED Harrisburg, Pa. NAME PG TUBE CAP ASSY WIRE SIZE 22-16
MATERIAL SEE TABLE	FINISH SEE TABLE	SIZE B CODE IDENT NO 00779 DRAWING NO 55137
SCALE NTS		SHEET 1 of 1

单击下面可查看定价，库存，交付和生命周期等信息

[>>TE Connectivity\(泰科\)](#)