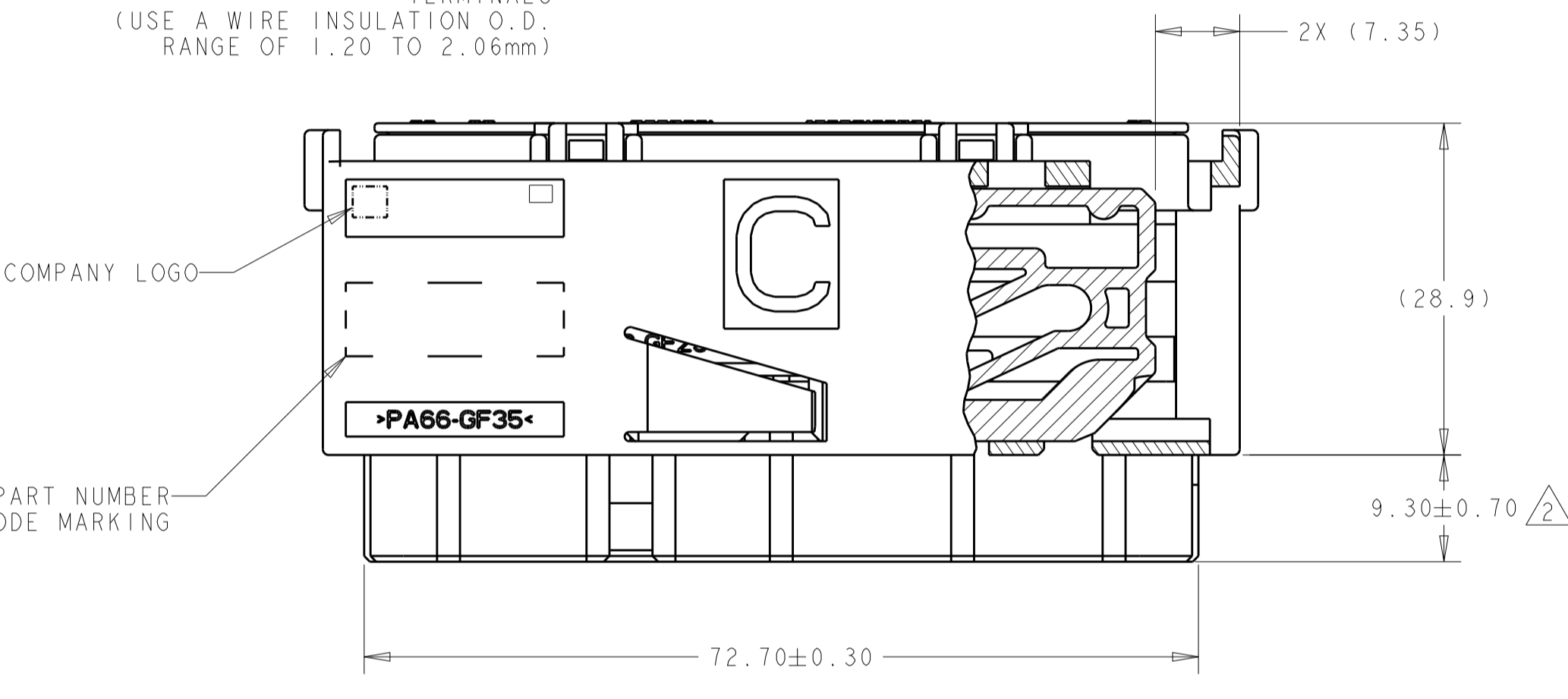
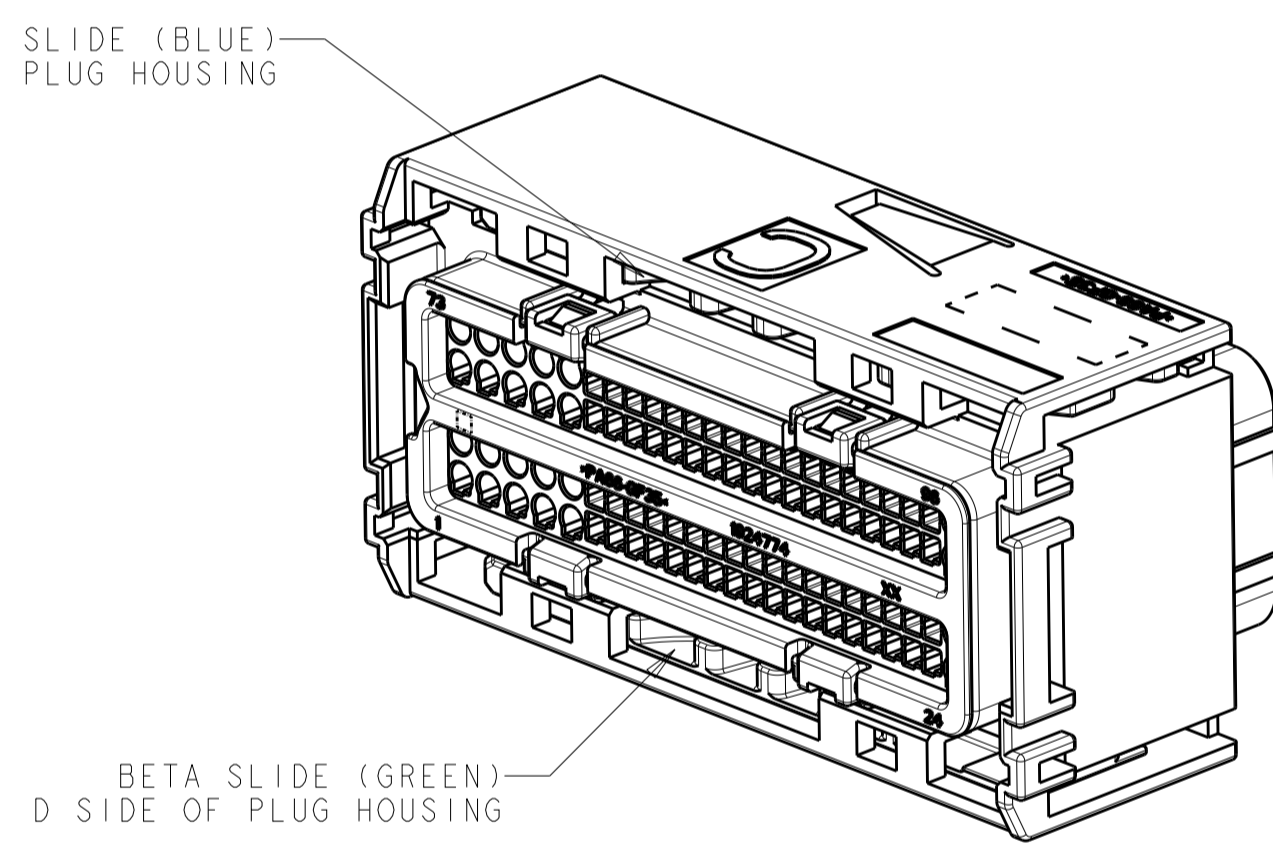
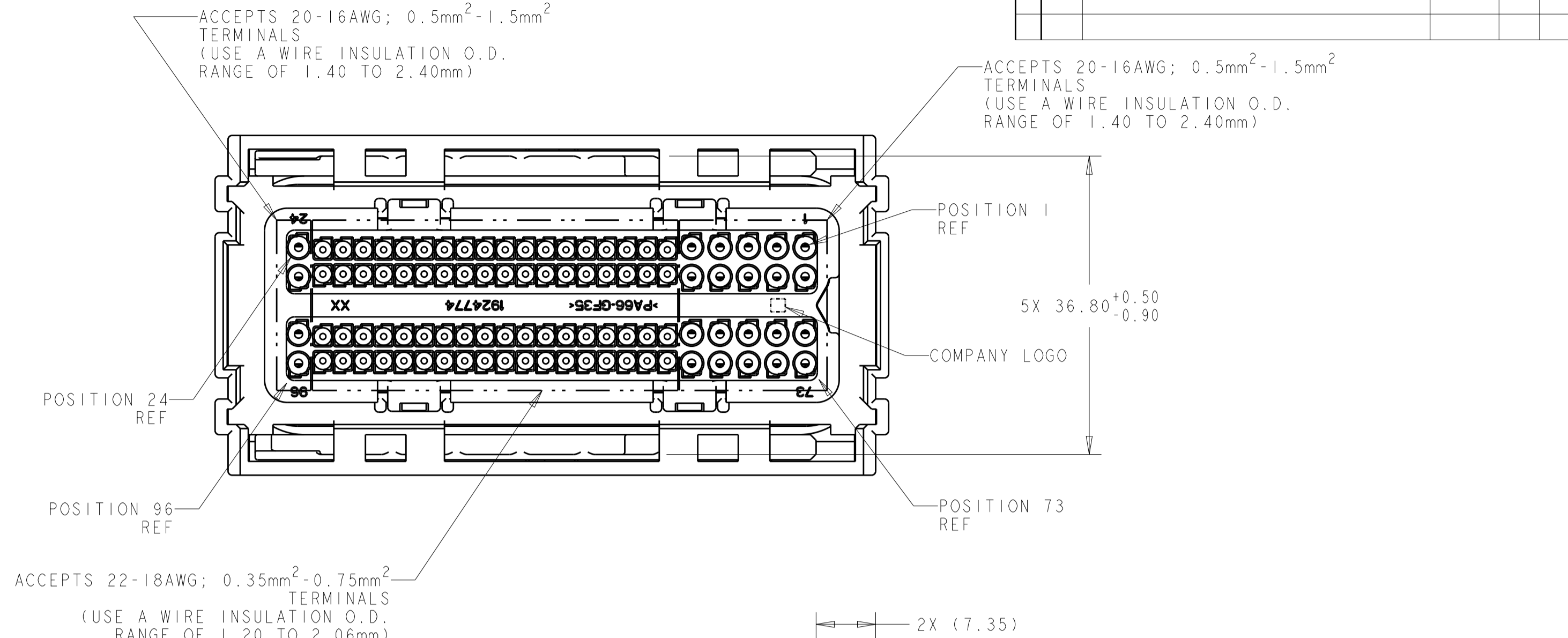
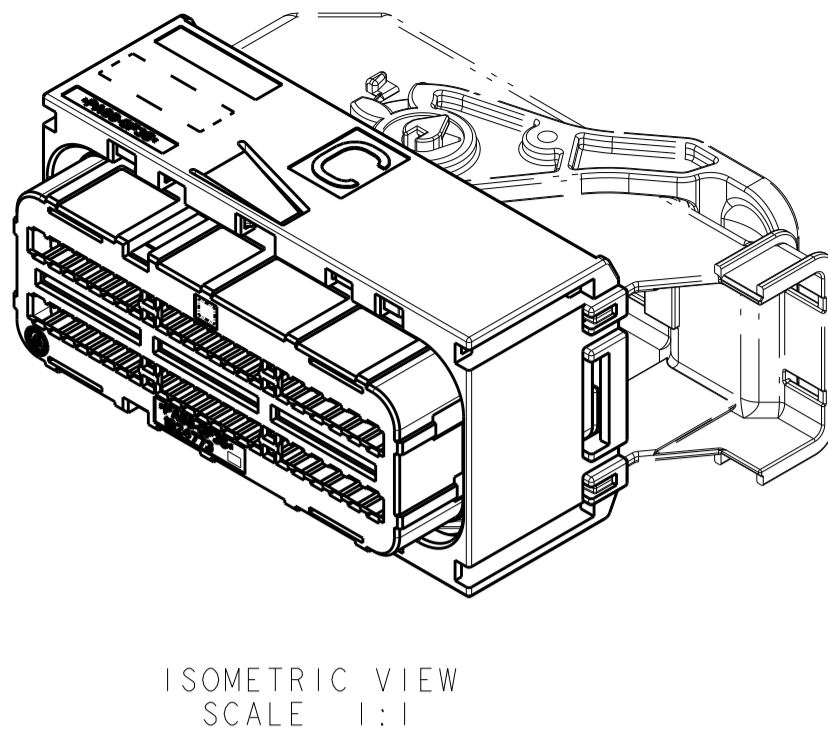
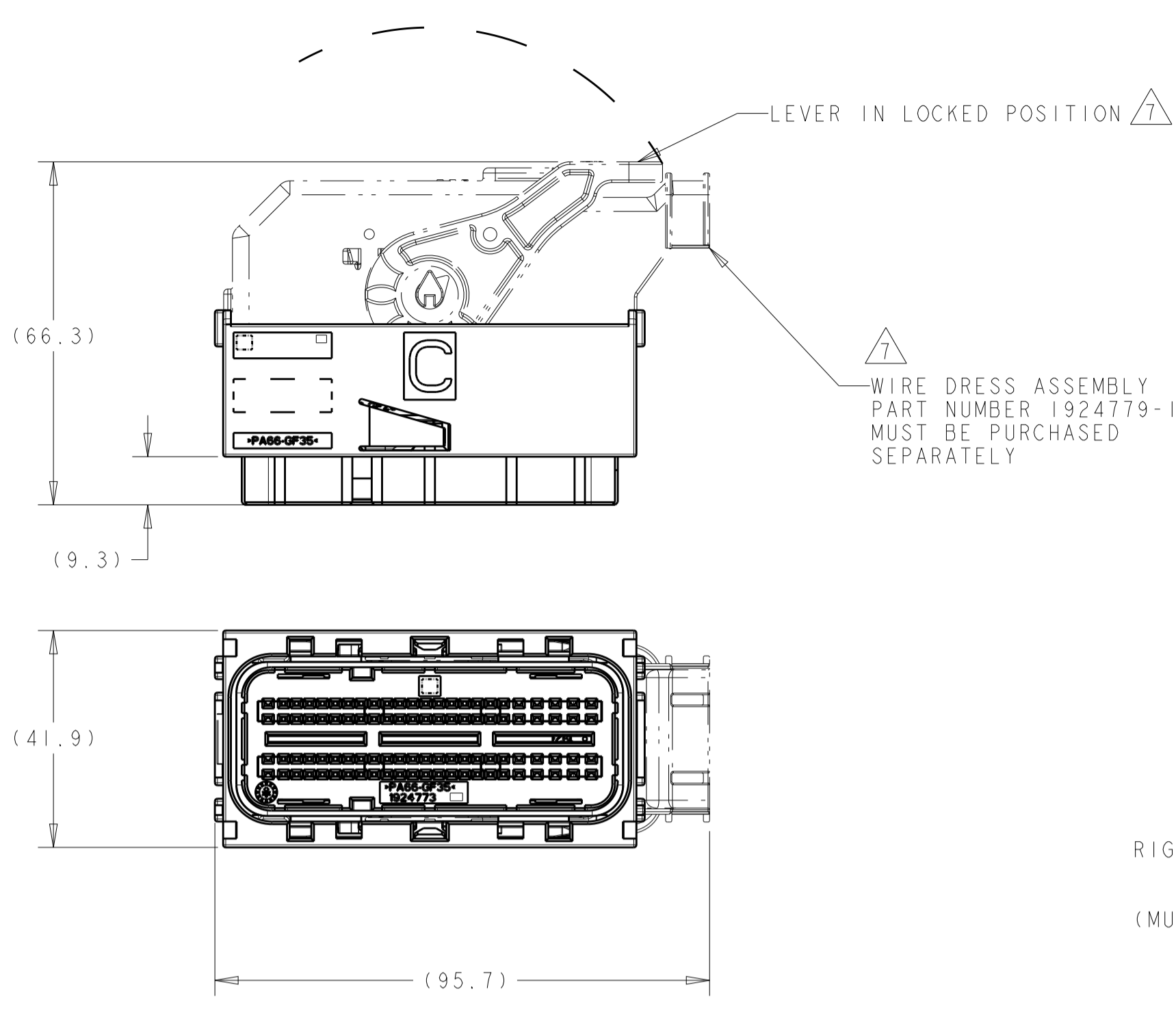
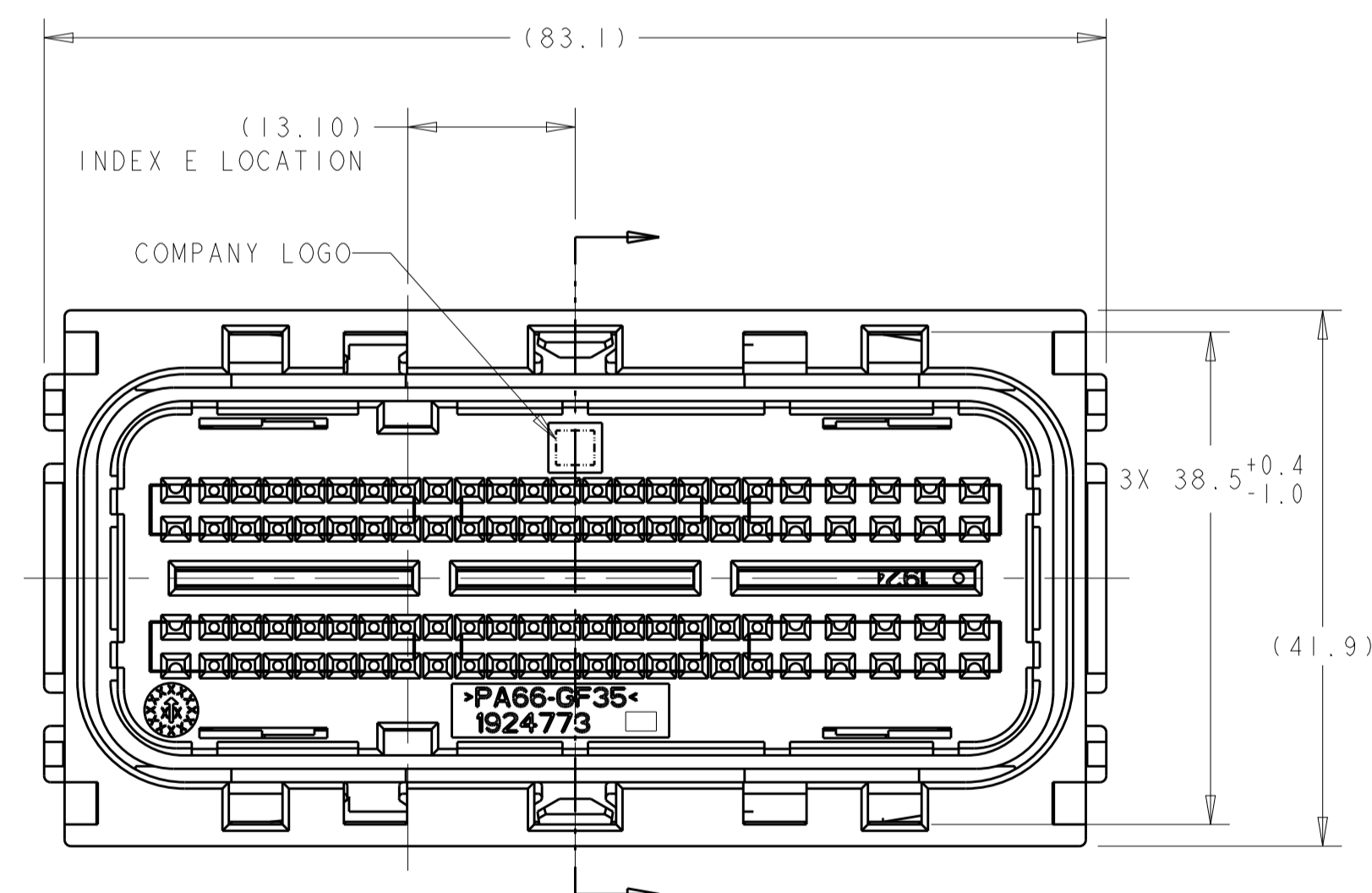
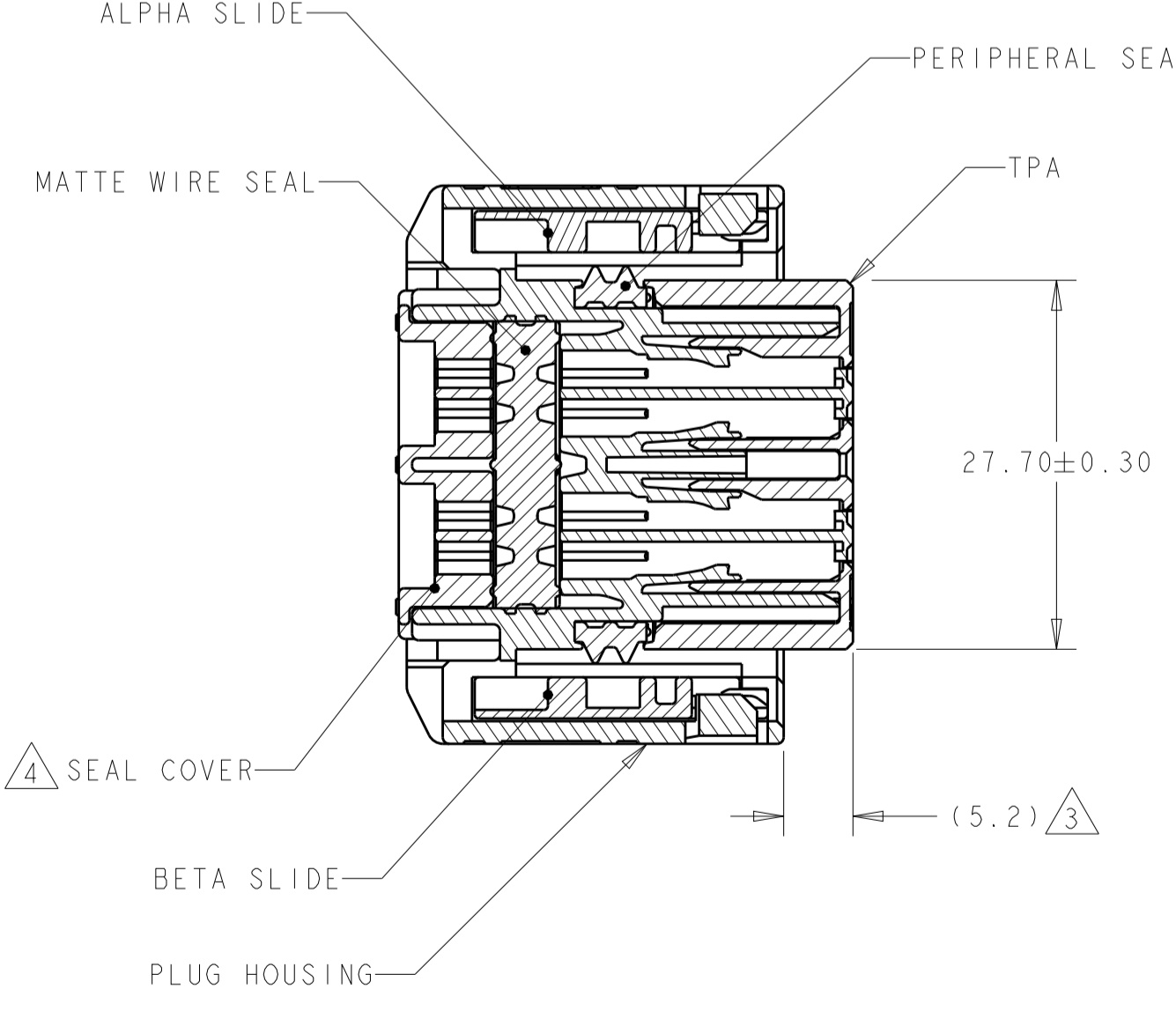


REVISIONS				
REV	DATE	DESCRIPTION	APP'D	CHK'D
C	11APR2016	REVISED PER ECO-16-005492	DLD	WEM



(METHOD FOR IDENTIFYING EXIT ORIENTATION)



- 1. PLUG HOUSING AND SEAL COVER: NYLON 6/6, BLACK.
- 2. TPA: NYLON 6/6, COLOR - SEE TABLE.
- 3. MATTE WIRE SEAL: SILICONE, LIGHT BLUE.
- 4. PERIPHERAL SEAL: SILICONE, GREEN.
- 5. ALPHA SLIDE: NYLON 6/6, BLUE.
- 6. BETA SLIDE: NYLON 6/6, GREEN.
- 7. TPA SHOWN IN PRE-LATCHED, AS SHIPPED, POSITION.
- 8. TPA SHOWN IN CLOSED POSITION.
- 9. SEE TABLE ON SHEET 2 FOR SEAL COVER PIN OUT CONFIGURATION.
- 10. PLUG ASSEMBLY MATES WITH TYCO ELECTRONICS INTERFACE DRAWING 1924771\_INT, POLARIZATION E.
- 11. PLUG ASSEMBLY WILL ACCEPT THE FOLLOWING GET TERMINAL PART NUMBERS:
  - 1393364-1 (GOLD 22AWG; 0.35mm<sup>2</sup>)
  - 1393365-1 (GOLD 18-20AWG; 0.75mm<sup>2</sup>-0.5mm<sup>2</sup>)
  - 1924878-1 (TIN/SILVER 22AWG; 0.35mm<sup>2</sup>)
  - 1924879-1 (TIN/SILVER 18-20AWG; 0.75mm<sup>2</sup>-0.5mm<sup>2</sup>)
  - 1924782-1 (TIN/SILVER 1.0mm<sup>2</sup>)
  - 1924880-1 (TIN/SILVER 16AWG; 0.35mm<sup>2</sup>)
- 12. WIRE DRESS ASSEMBLY MUST BE INSTALLED ONTO PLUG ASSEMBLY WITH LEVER IN LOCKED POSITION.
- 13. APPLICATION SPEC'S: 408-10229, 408-10230.
- 14. NOTE DELETED.
- 15. FORCE TO SEAT TPA COMPONENT FROM PRE-SET TO LOCKED (FULLY LOADED W/ TERMINALS) TO BE 83N MAX.
- 16. FORCE TO MOVE TPA FROM FULLY LOCKED TO PRE-SET TO BE 115N MAX. FLAT BLADE SCREWDRIVER SUGGESTED FOR REMOVAL OF TPA.

ALL CLOSED	BROWN	E	9-1924943-9
SEE TABLE, SH 2	BROWN	E	1-1924943-8
SEE TABLE, SH 2	BROWN	E	1-1924943-7
SEE TABLE, SH 2	BROWN	E	1-1924943-6
SEE TABLE, SH 2	BROWN	E	1-1924943-5
SEE TABLE, SH 2	BROWN	E	1-1924943-4
SEE TABLE, SH 2	BROWN	E	1-1924943-3
SEE TABLE, SH 2	BROWN	E	1-1924943-2
SEE TABLE, SH 2	BROWN	E	1-1924943-1
SEE TABLE, SH 2	BROWN	E	1924943-9
SEE TABLE, SH 2	BROWN	E	1924943-8
SEE TABLE, SH 2	BROWN	E	1924943-7
SEE TABLE, SH 2	BROWN	E	1924943-6
SEE TABLE, SH 2	BROWN	E	1924943-5
SEE TABLE, SH 2	BROWN	E	1924943-4
SEE TABLE, SH 2	BROWN	E	1924943-3
SEE TABLE, SH 2	BROWN	E	1924943-2
ALL OPEN	BROWN	E	1924943-1
BLOCKED CIRCUITS	TPA COLOR	INDEX REF	PART NUMBER

TE Connectivity

PLUG ASSEMBLY, 96 POSITION, INDEX E - RIGHT EXIT, SEALED, GPEC 11

DIMENSIONS:	TOLERANCES UNLESS OTHERWISE SPECIFIED:	OWN: D.J. HARDY 29NOV2007	NAME: PLUG ASSEMBLY, 96 POSITION, INDEX E - RIGHT EXIT, SEALED, GPEC 11
mm	0 PLC ±	CHK: A.J. VASBINDER 03DEC2007	SIZE: CAGE CODE DRAWING NO RESTRICTED TO
	1 PLC ±0.25	APP'D: A.J. VASBINDER 03DEC2007	A1100779C=1924943
	2 PLC ±	PRODUCT SPEC: TBD	SHEET 1 OF 2
	3 PLC ±	APPLICATION SPEC: 8	SCALE 2:1
	4 PLC ±	WEIGHT: -	REV C
	ANGLES	CUSTOMER DRAWING	



单击下面可查看定价，库存，交付和生命周期等信息

[>>TE Connectivity\(泰科\)](#)