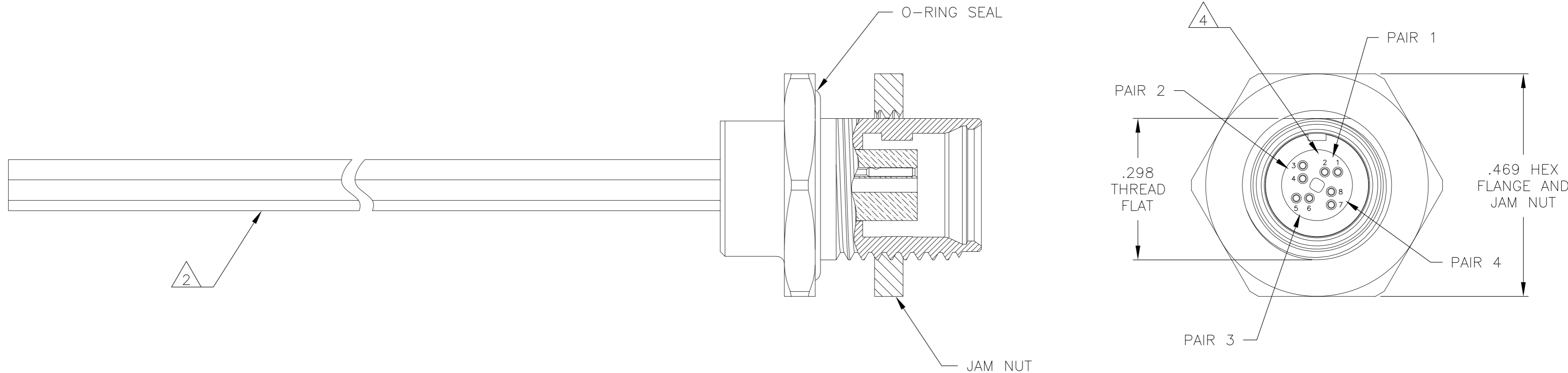
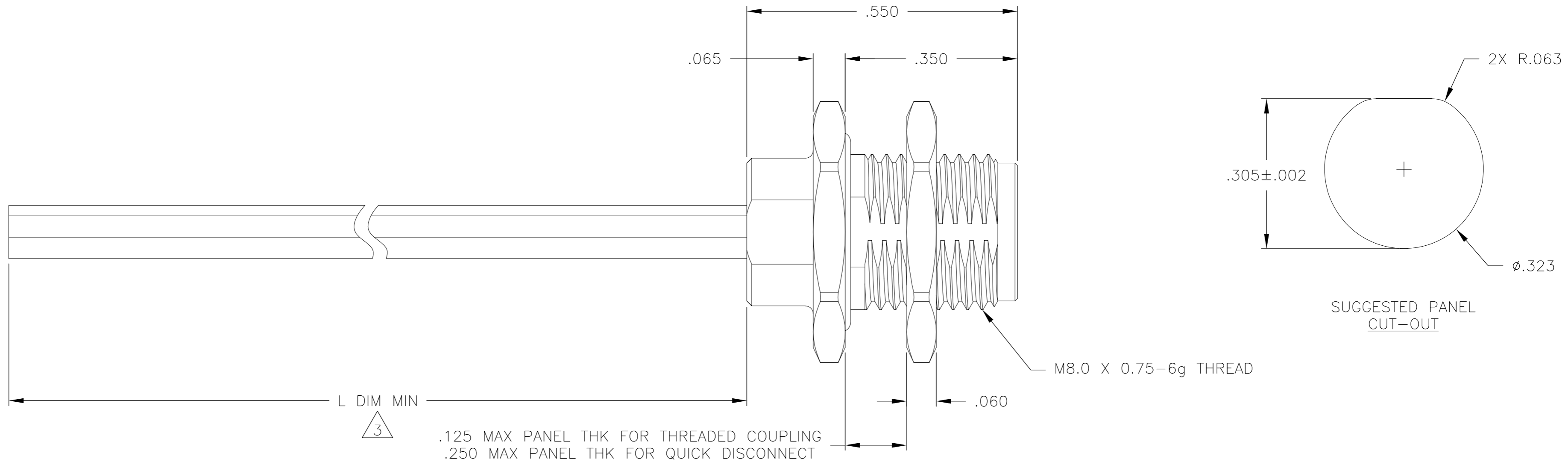


THIS DRAWING IS UNPUBLISHED. RELEASED FOR PUBLICATION  
 © COPYRIGHT - By - ALL RIGHTS RESERVED.

| LOC |     | DIST                                 |          | REVISIONS |      |  |  |
|-----|-----|--------------------------------------|----------|-----------|------|--|--|
| P   | LTR | DESCRIPTION                          | DATE     | DWN       | APVD |  |  |
|     | A   | PRODUCTION RELEASE PER ECO-13-014747 | 4 SEP 13 | CT        | RL   |  |  |



- 1 CONNECTOR BODY AND JAM NUT MATERIAL:  
6061-T6 ALUMINUM, ELECTROLESS NICKEL PLATED PER SAE-AMS-C-26074 OR SAE-AMS-2404  
INSULATOR MATERIAL: LIQUID CRYSTAL POLYMER (LCP) PER ASTM D5138  
O-RING MATERIAL: FLUOROSILICONE PER SAE-AMS-R-25988
- 2 TERMINATED WITH MADISON CABLE 30 AWG 10G TURBO TWIN PAIR
- 3 CABLE LENGTH IS AS INDICATED IN THE CORRESPONDING NANONICS PART NUMBER
- 4 CAVITY POSITIONS ARE SHOWN FOR REFERENCE ONLY AND ARE NOT MARKED ON THE PART
- 5 LUBRICATE O-RING WITH PARKER SUPER-O-LUBE PRIOR TO INSTALLATION
- 6 REFERENCE TE PRODUCT SPECIFICATION 108-32048 FOR PRODUCT DETAILS AND PERFORMANCE

|   |   |                  |           |             |        |  |        |     |       |   |      |       |   |      |       |   |   |        |   |    |              |  |  |      |           |            |
|---|---|------------------|-----------|-------------|--------|--|--------|-----|-------|---|------|-------|---|------|-------|---|---|--------|---|----|--------------|--|--|------|-----------|------------|
| THIS DRAWING IS A CONTROLLED DOCUMENT.  |   | DWN              | M STORRY  | 31 JUL 2012 |        | TE Connectivity  |        |     |       |   |      |       |   |      |       |   |   |        |   |    |              |  |  |      |           |            |
| DIMENSIONS: INCHES  |   | CHK              | M STORRY  | 31 JUL 2012 |        | NAME   |        |     |       |   |      |       |   |      |       |   |   |        |   |    |              |  |  |      |           |            |
| TOLERANCES UNLESS OTHERWISE SPECIFIED:  |   | APVD             | M STORRY  | 31 JUL 2012 |        | RECEPTACLE ASSEMBLY, CIRCULAR, REAR PANEL MOUNT, THREADED COUPLING/QUICK DISCONNECT, METAL, 8 POS, 10GbE, CeeLok FAS-T Nano Circular |        |     |       |   |      |       |   |      |       |   |   |        |   |    |              |  |  |      |           |            |
| <table border="1"> <tr><td>0 PLC</td><td>±</td><td>-</td></tr> <tr><td>1 PLC</td><td>±</td><td>-</td></tr> <tr><td>2 PLC</td><td>±</td><td>.010</td></tr> <tr><td>3 PLC</td><td>±</td><td>.005</td></tr> <tr><td>4 PLC</td><td>±</td><td>-</td></tr> <tr><td>ANGLES</td><td>±</td><td>1°</td></tr> </table> |   | 0 PLC            | ±         | -           |        | 1 PLC  | ±      | -   | 2 PLC | ± | .010 | 3 PLC | ± | .005 | 4 PLC | ± | - | ANGLES | ± | 1° | PRODUCT SPEC |  |  | SIZE | CAGE CODE | DRAWING NO |
| 0 PLC   | ± | -                |           |             |        |  |        |     |       |   |      |       |   |      |       |   |   |        |   |    |              |  |  |      |           |            |
| 1 PLC   | ± | -                |           |             |        |  |        |     |       |   |      |       |   |      |       |   |   |        |   |    |              |  |  |      |           |            |
| 2 PLC   | ± | .010             |           |             |        |  |        |     |       |   |      |       |   |      |       |   |   |        |   |    |              |  |  |      |           |            |
| 3 PLC   | ± | .005             |           |             |        |  |        |     |       |   |      |       |   |      |       |   |   |        |   |    |              |  |  |      |           |            |
| 4 PLC   | ± | -                |           |             |        |  |        |     |       |   |      |       |   |      |       |   |   |        |   |    |              |  |  |      |           |            |
| ANGLES  | ± | 1°               |           |             |        |  |        |     |       |   |      |       |   |      |       |   |   |        |   |    |              |  |  |      |           |            |
| MATERIAL: SEE NOTES   |   | FINISH           | SEE NOTES |             | WEIGHT | A2 0PJN9 C=1925258   |        |     |       |   |      |       |   |      |       |   |   |        |   |    |              |  |  |      |           |            |
|   |   | CUSTOMER DRAWING |           | SCALE       | 6:1    | SHEET  | 1 of 1 | REV | A     |   |      |       |   |      |       |   |   |        |   |    |              |  |  |      |           |            |

单击下面可查看定价，库存，交付和生命周期等信息

[>>TE Connectivity\(泰科\)](#)