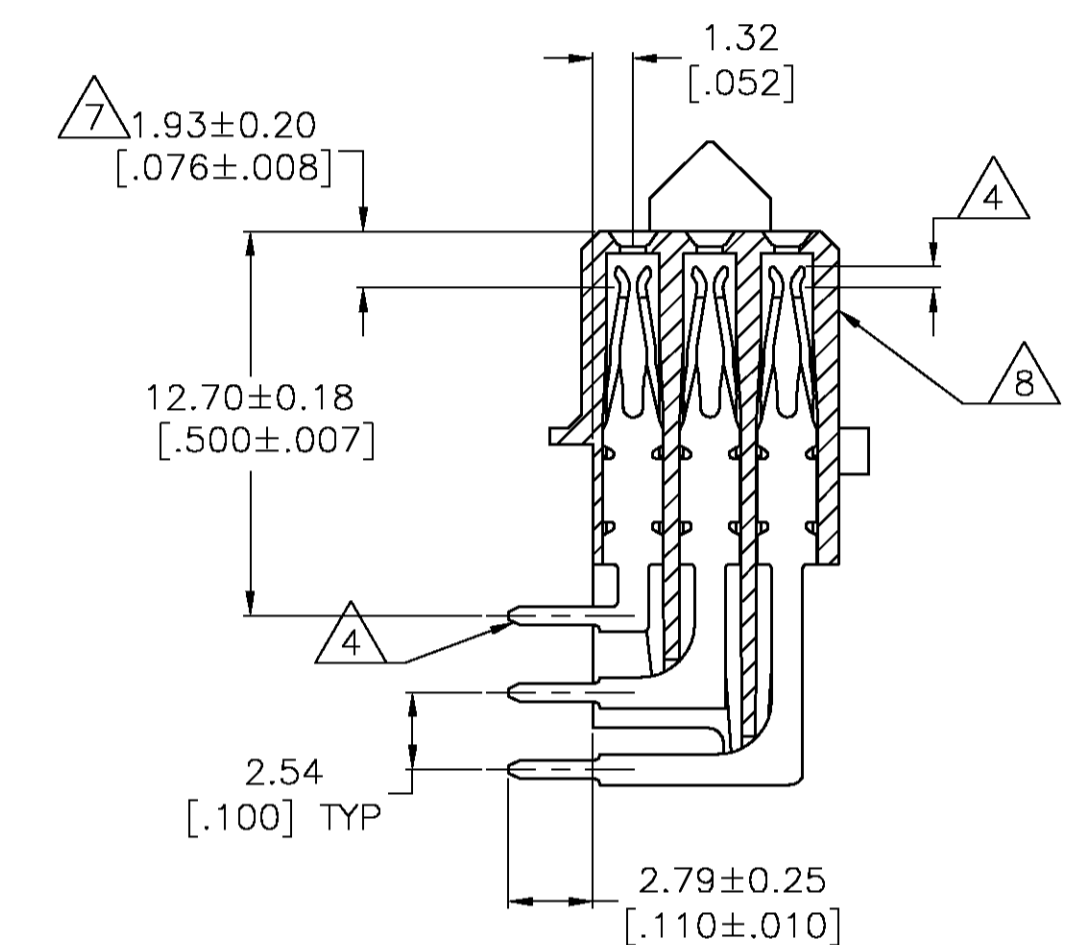
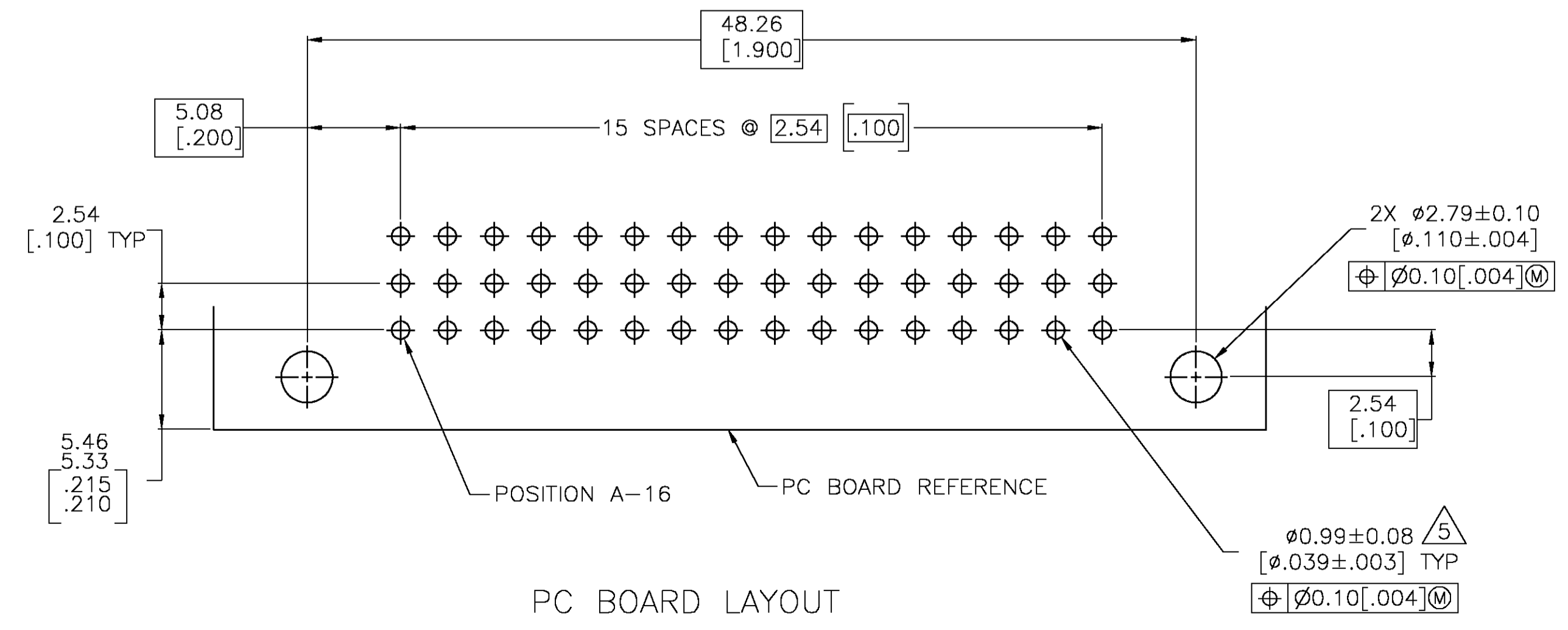
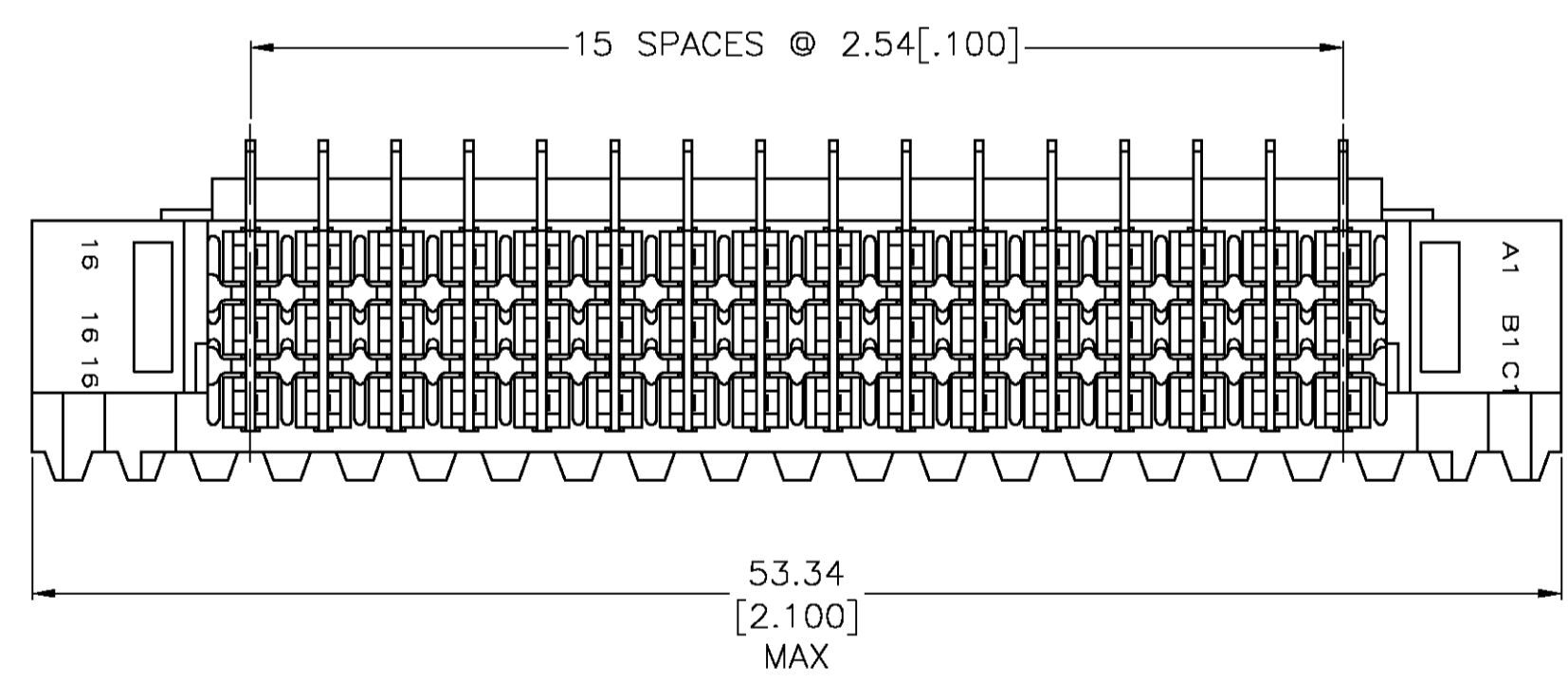


1. DIMENSIONS IN BRACKETS ARE IN INCHES.
- △ HOUSING MATERIAL: THERMOPLASTIC.
- △ CONTACT MATERIAL: PHOSPHOR BRONZE.
- △ CONTACT FINISH: DIN 41612 CLASS 2 IN CONTACT AREA. TIN PLATE ON POSTS.
- △ RECOMMENDED HOLE SIZE FOR MANUAL APPLICATION OF CONNECTOR ONTO PC BOARD.
- △ PART NUMBER, DATE CODE IDENTIFICATION, CSA LOGO LOCATED THIS APPROXIMATE AREA.
- △ CONTACT POINT.
- △ PART MARKING ON THIS SIDE.



SECTION Y-Y



PC BOARD LAYOUT

5148098-5
PART NUMBER

THIS DRAWING IS A CONTROLLED DOCUMENT.		DIN 9138 MCMASTER 29SEP04		Tyco Electronics Corporation Harrisburg, Pa 17105-3608	
DIMENSIONS: mm		CIK A. SHARPE 29SEP04		APVD A. SHARPE 29SEP04	
TOLERANCES UNLESS OTHERWISE SPECIFIED:		PRODUCT SPEC		NAME	
0 PLC ± -		APPLICATION SPEC		SIZE	
1 PLC ± -		WEIGHT		CAGE CODE	
2 PLC ± 0.13[0.005]		CUSTOMER DRAWING		DRAWING NO	
3 PLC ± -		SCALE 4:1		SHEET 1 OF 1	
4 PLC ± -		RESTRICTED TO		REV 0	
ANGLES ± -		A1 00779 C=5148098			
MATERIAL HOUSING: △ CONTACT: △					

单击下面可查看定价，库存，交付和生命周期等信息

[>>TE Connectivity\(泰科\)](#)