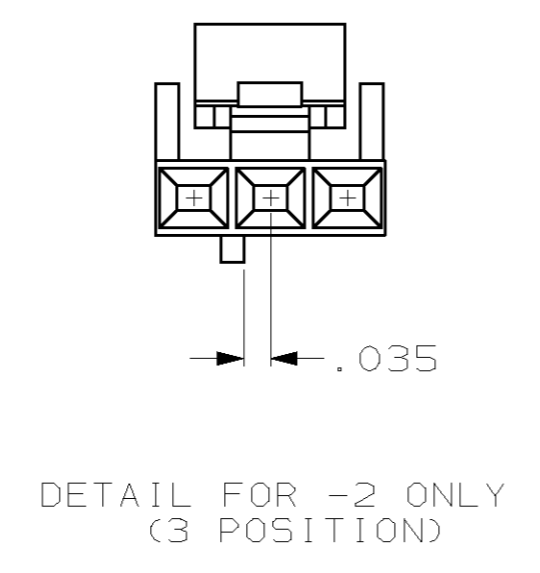
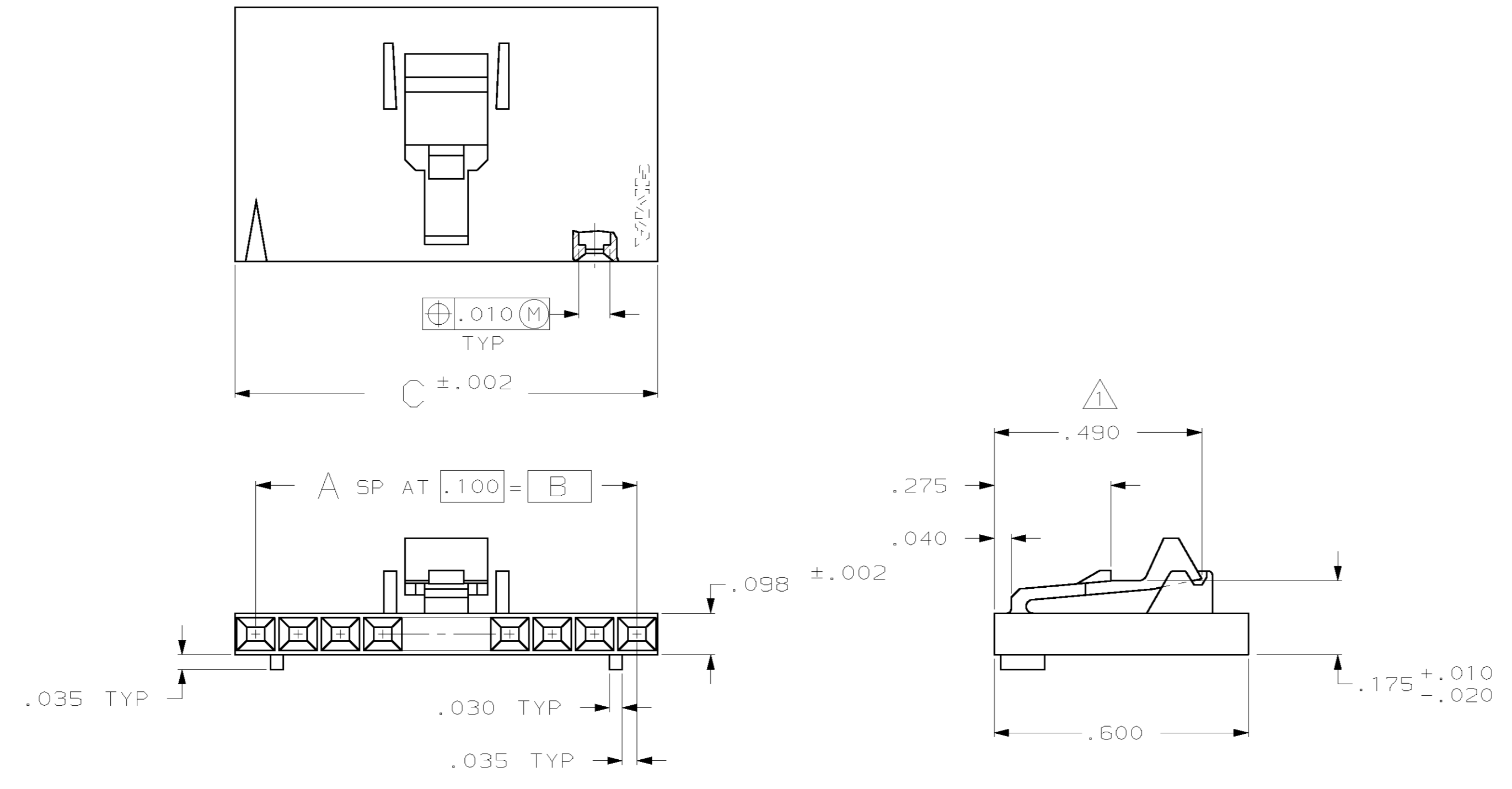


THIS DRAWING IS UNPUBLISHED. RELEASED FOR PUBLICATION
 BY AMP INCORPORATED, ALL RIGHTS RESERVED.

LOC	DIST	REVISIONS			
P	LTR	DESCRIPTION	DATE	DWN	APVD
AD	39	B	REV PER 063C-0367-04	16AUG04	RB JG

△1 THIS DIMENSION .480 FOR 2 POSN ONLY
 △2 PRELIMINARY PART - NOT RELEASED FOR PRODUCTION.



△2	.998	.900	9	10	104920-9
△2	.898	.800	8	9	104920-8
	.498	.400	4	5	104920-4
	.398	.300	3	4	104920-3
	.298	.200	2	3	104920-2
	C	B	A	NO OF POSN	PART NUMBER

DIMENSIONS:		TOLERANCES UNLESS OTHERWISE SPECIFIED:		DWN		AMP	
in		0 PLC	±	J. HERRINGTON	2-8-95	AMP Incorporated	
		1 PLC	±	J. GESFORD	2-8-95	Harrisburg, PA 17105-3608	
		2 PLC	±	D. DUPLER	2-8-95	NAME	
		3 PLC	±.005	PRODUCT SPEC		RECEPTACLE HOUSING, AMPMODU MTE,	
		4 PLC	±	APPLICATION SPEC		SINGLE ROW, .100 CL,	
		ANGLES	±	114-25026		POLARIZED WITH LATCH	
		FINISH	-	WEIGHT		SIZE	CAGE CODE
MATERIAL		FLAME RETARDANT POLYCARBONATE		CUSTOMER DRAWING		A2	00779
						DRAWING NO	
						C=104920	
						SCALE	SHEET
						4:1	1 OF 1
						REV	B

单击下面可查看定价，库存，交付和生命周期等信息

[>>TE Connectivity\(泰科\)](#)