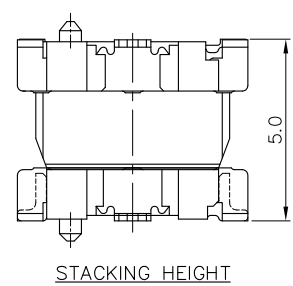
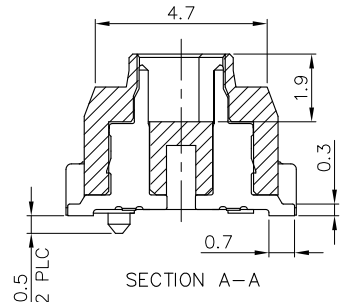
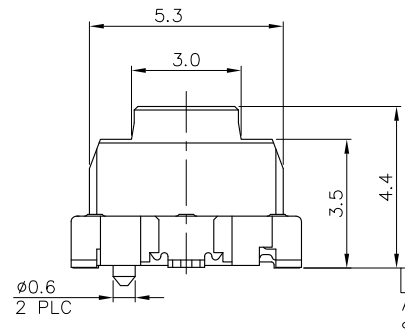
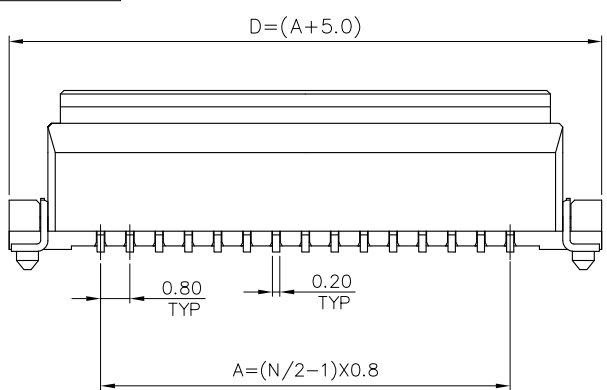


CIRCUIT NO. 1 MARK

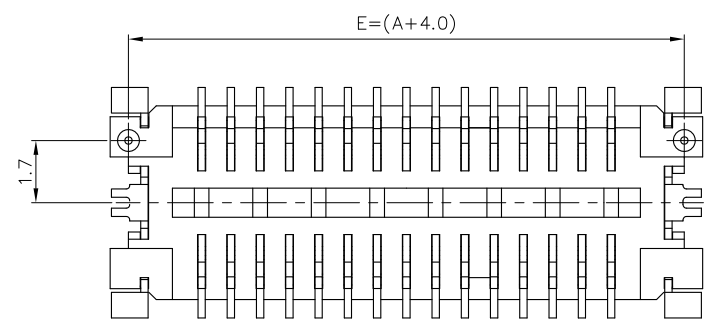
CIRCUIT NO. 1

RECOMMENDED PCB LAYOUT

- NOTES:
- MATERIAL:
 HOUSING: PA6T, UL94 V-0, NATURAL COLOR.
 CONTACTS: PHOSPHOR BRONZE.
 PEGS: BRASS.
 - FINISH:
 CONTACTS: (SEE TABLE)
 PLATING A: 100µ" MIN. MATTE-TIN ON ENTIRE CONTACT.
 PLATING B: GOLD FLASH.
 (WITH ENTIRE CONTACT UNDERPLATED 50µ" MIN. NICKEL)
 PEGS: 100µ" MIN. TIN OR MATTE-TIN OVER 50µ" MIN. NICKEL.
 - PART NUMBER OF MATING RECEPTACLE: X-1775013-X
 - REFLOW SOLDER CAPABLE TO 260°C AS PER TEC-109-201, CONDITION B.



A	15.2	16.2	13.5	8.8	11.2	30	3-1775015-0
	11.2	12.2	9.5	12.8	7.2	20	2-1775015-0
8	9	6.3	5.6	4.0	12	1-1775015-2	
B	11.2	12.2	9.5	8.8	7.2	20	1775015-5
	15.2	16.2	13.5	12.8	11.2	30	1775015-3
8	9	6.3	5.6	4.0	12	1775015-1	
CONTACT PLATING	E	D	C	B	A	NO. OF CONTACTS	PART NUMBER



5. SUBSTANCE RESTRICTIONS FOR LOW HALOGEN (BY WEIGHT):
 BROMINE (Br) ≤ 900 PPM (0.09%)
 CHLORINE (Cl) ≤ 900 PPM (0.09%)
 TOTAL CONCENTRATION OF (Cl) + (Br) ≤ 1500 PPM (0.15%)

THIS DRAWING IS A CONTROLLED DOCUMENT.

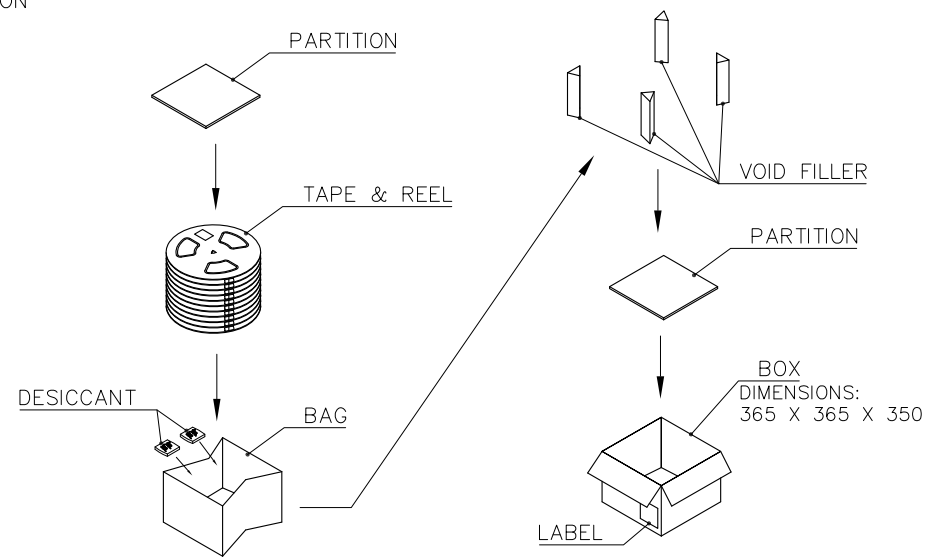
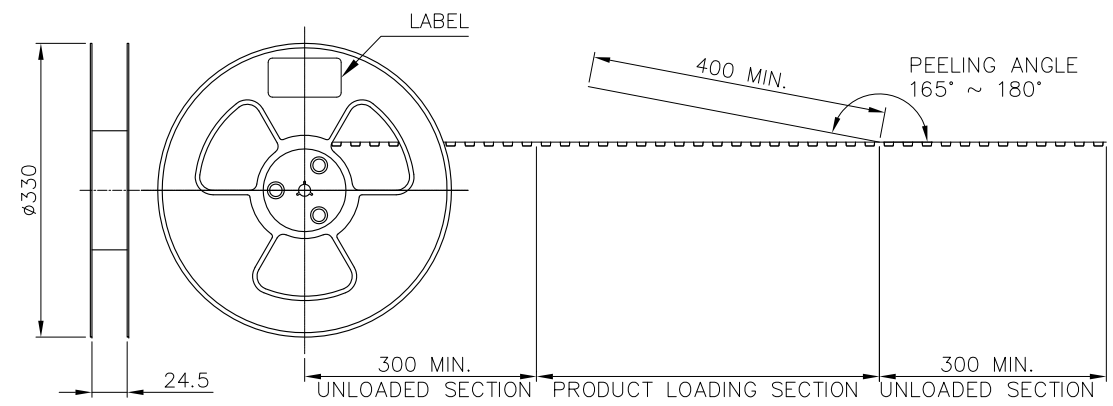
DIMENSIONS: MM	TOLERANCES UNLESS OTHERWISE SPECIFIED: 0 PLC ± - 1 PLC ± 0.2 2 PLC ± 0.15 3 PLC ± - 4 PLC ANGLES ± -	DWN A. WU 11JUN2007 CHK S. HOU 11JUN2007 APVD W.J. KE 11JUN2007 PRODUCT SPEC APPLICATION SPEC WEIGHT SEE TABLE	NAME BOARD TO BOARD CONNECTOR, 0.8mm PITCH, FINE-STACK, 5H, PLUG SIZE A3 CAGE CODE 00779 DRAWING NO. C=1775015 RESTRICTED TO -
MATERIAL SEE NOTE	FINISH SEE NOTE	CUSTOMER DRAWING	SCALE - SHEET 1 OF 2 REV D

THIS DRAWING IS UNPUBLISHED. RELEASED FOR PUBLICATION
 © COPYRIGHT 2013 BY TE CONNECTIVITY. ALL RIGHTS RESERVED.

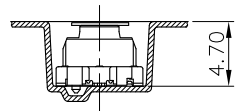
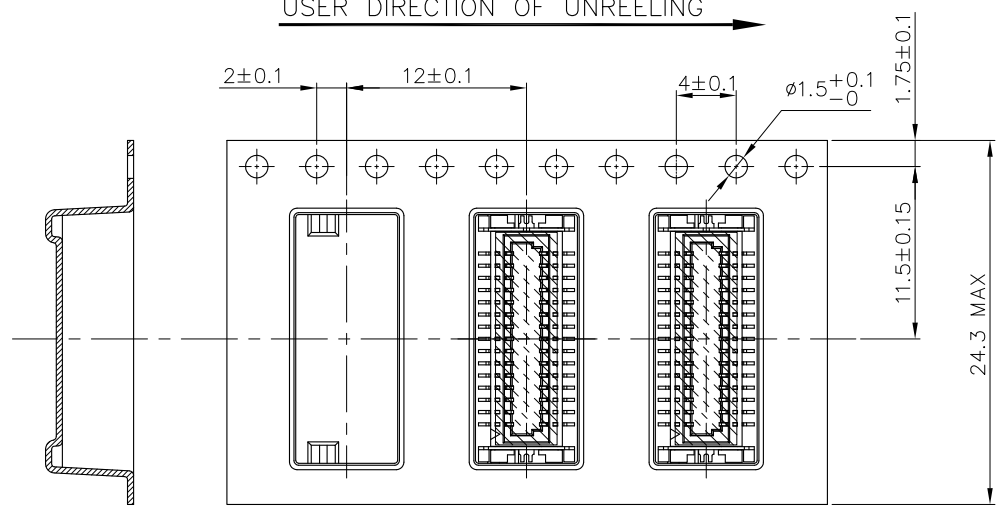
LOC	DIST	REVISIONS					
DW	-	P	LTR	DESCRIPTION	DATE	DWN	APVD
				SEE SHEET 1			

NOTES:

- MATERIAL:
 BOX: FIBREBOARD, CORRUGATED, DOUBLE WALL.
 COVER TAPE: PET, TRANSPARENT COLOR.
 CARRIER TAPE: POLYSTYRENES, TRANSPARENT COLOR.
 REEL: HIPS, BLUE COLOR.
 BAG: POLYETHYLENES, TRANSPARENT COLOR.
- EACH BAG SHALL BE INCLUDED DESICCANT.
- PEELING STRENGTH: 0.1 ~ 1.3 N (10 ~ 130 GRAMS).
- PEELING SPEED: 300 mm/min.



USER DIRECTION OF UNREELING



8000	800	10	9.42	3.28	30
			10.25	4.55	20
			8.5	2.5	12
PCS /BOX	PCS /REELS	REELS /BOX	GROSS WEIGHT (Kg)	NET WEIGHT (Kg)	NO. OF CONTACTS

THIS DRAWING IS A CONTROLLED DOCUMENT.

DIMENSIONS: MM	TOLERANCES UNLESS OTHERWISE SPECIFIED:	DWN	-	TE Connectivity BOARD TO BOARD CONNECTOR, 0.8mm PITCH, FINE-STACK, 5H, PLUG
0 PLC	± -	CHK	-	
1 PLC	± ±	APVD	-	
2 PLC	± ±	PRODUCT SPEC	-	
3 PLC	± ±	APPLICATION SPEC	-	NAME
4 PLC	± ±	WEIGHT	-	SIZE
ANGLES	± -			CAGE CODE
FINISH	± -			DRAWING NO
				RESTRICTED TO
				SCALE
				SHEET
				REV

CUSTOMER DRAWING

单击下面可查看定价，库存，交付和生命周期等信息

[>>TE Connectivity\(泰科\)](#)