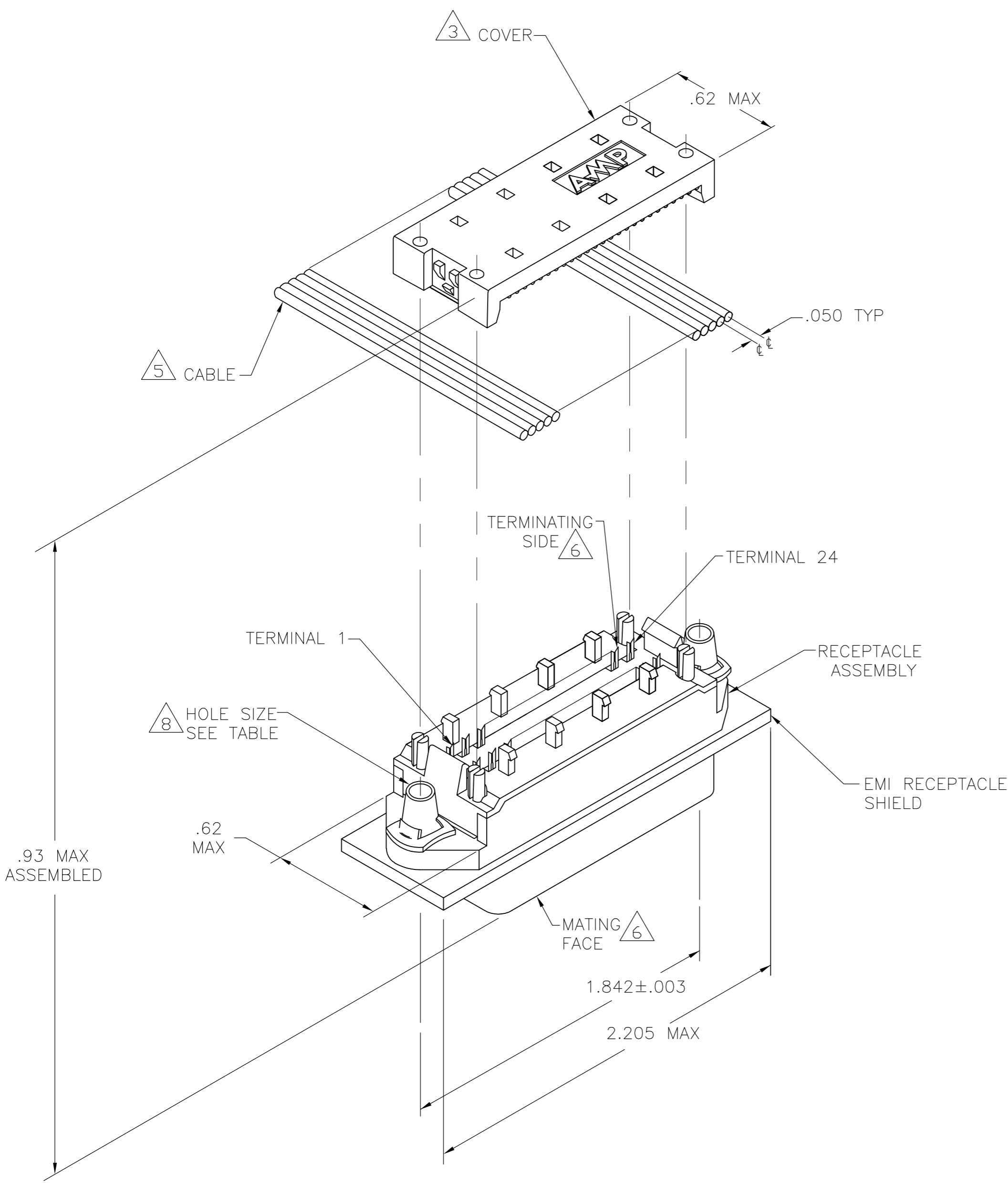
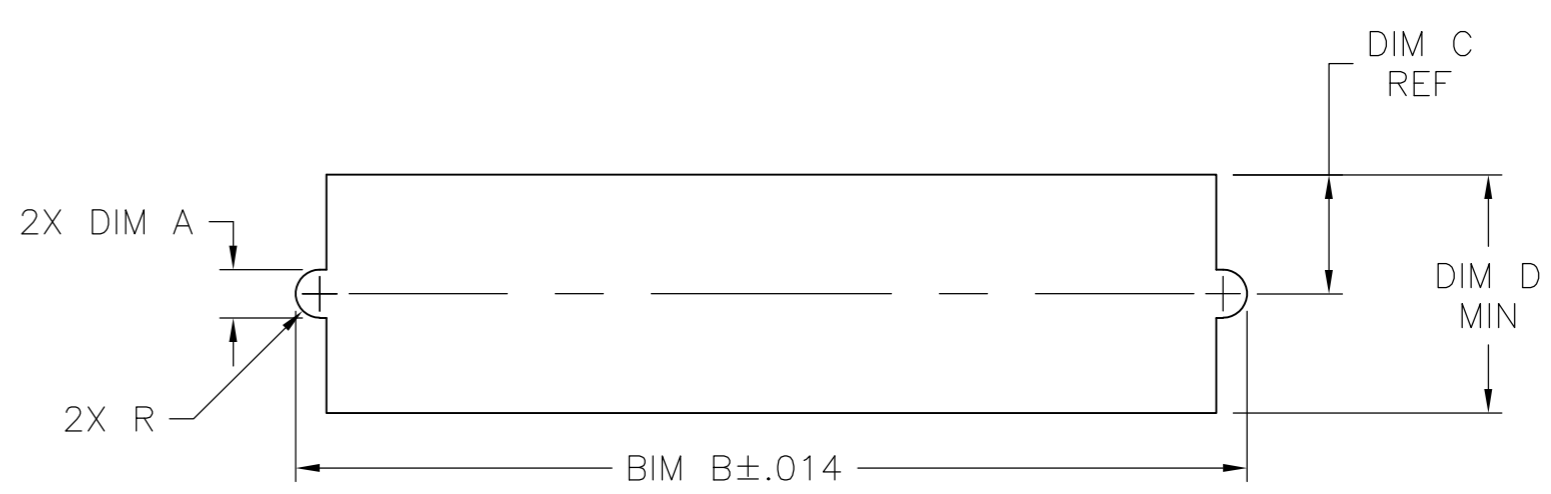


THIS DRAWING IS UNPUBLISHED. RELEASED FOR PUBLICATION
 © COPYRIGHT BY TYCO ELECTRONICS CORPORATION. ALL RIGHTS RESERVED.

LOC		DIST		REVISIONS			
P	LTR	DESCRIPTION		DATE	DWN	APVD	
	B	REVISED PER ECO-08-007327		17APR08	BM	WM	



1. THE CONTACT SURFACES OF THE TERMINALS ARE COATED WITH LUBRICANT.
2. MATERIAL:
 HOUSING & COVER: PLYPHENYLENE OXIDE (BLACK).
 TERMINALS: PHOS BRONZE PLATED WITH EITHER .000030 MINIMUM GOLD PLATE OR GOLD FLASH OVER PALLADIUM NICKEL PLATE, .000030 MIN TOTAL ON MATING SURFACE. GOLD FLASH PLATED ON TERMINATING SIDE. .000050 MINIMUM NICKEL UNDERPLATE OVER ENTIRE TERMINAL.
 EMI SHIELD: NICKEL PLATED DIE CASTING.
 SPEEDNUTS: ZINC PLATED STEEL.
3. COVER SHOWN LOOSE BUT SHIPPED ASSEMBLED.
4. WIRE RANGE: 26 AWG SOLID THRU 30 AWG SOLID AND 28 AWG STRANDED RIBBON CABLE.
5. FLAT CABLE SHALL BE FURNISHED BY CUSTOMER.
6. MATING FACE CONSISTS OF TWO ROWS OF TERMINALS ON .085 CENTERS. TERMINATING SIDE CONSISTS OF TERMINALS ON .100 CENTERS FOR AN EFFECTIVE .050 TERMINATION.
7. PANEL THICKNESS RANGE: .062 MAX.
8. HOLES TO BE TAPPED AFTER PLATING.
9. FOR MORE INFORMATION REFER TO AMP PRODUCT SPEC 108-6076 & APPLICATION SPEC 114-6030.



7 SUGGESTED REAR PANEL MOUNTING CUTOUT DIMENSIONS

.620	.310	1.994	.152 ± .003	6-32 UNC-2B	5554434-1
DIM D	DIM C	DIM B	DIM A	SHIELD HOLE SIZE	PART NUMBER

THIS DRAWING IS A CONTROLLED DOCUMENT.		DWN	B. MCMMASTER	25OCT05	Tyco Electronics Corporation Harrisburg, PA 17105-3608
DIMENSIONS: INCHES		CHK	W. MILLHIMES	24OCT05	
TOLERANCES UNLESS OTHERWISE SPECIFIED:		APVD	W. MILLHIMES	24OCT05	
0 PLC ± - 1 PLC ± - 2 PLC ± - 3 PLC ± - 4 PLC ± - ANGLES ± - FINISH		PRODUCT SPEC	NAME		
MATERIAL		APPLICATION SPEC	EMI RECEPTACLE ASSEMBLY, 24 POSITION, LOW PROFILE SHIELDED, SCREW LOCK, CHAMP LATCH		RESTRICTED TO
2		WEIGHT	A2 00779 C=5554434		
CUSTOMER DRAWING		SCALE	2:1	SHEET	1 of 1
		REV	B		

5554434

单击下面可查看定价，库存，交付和生命周期等信息

[>>TE Connectivity\(泰科\)](#)